

# PAR30A-15W-XIW-001S-W

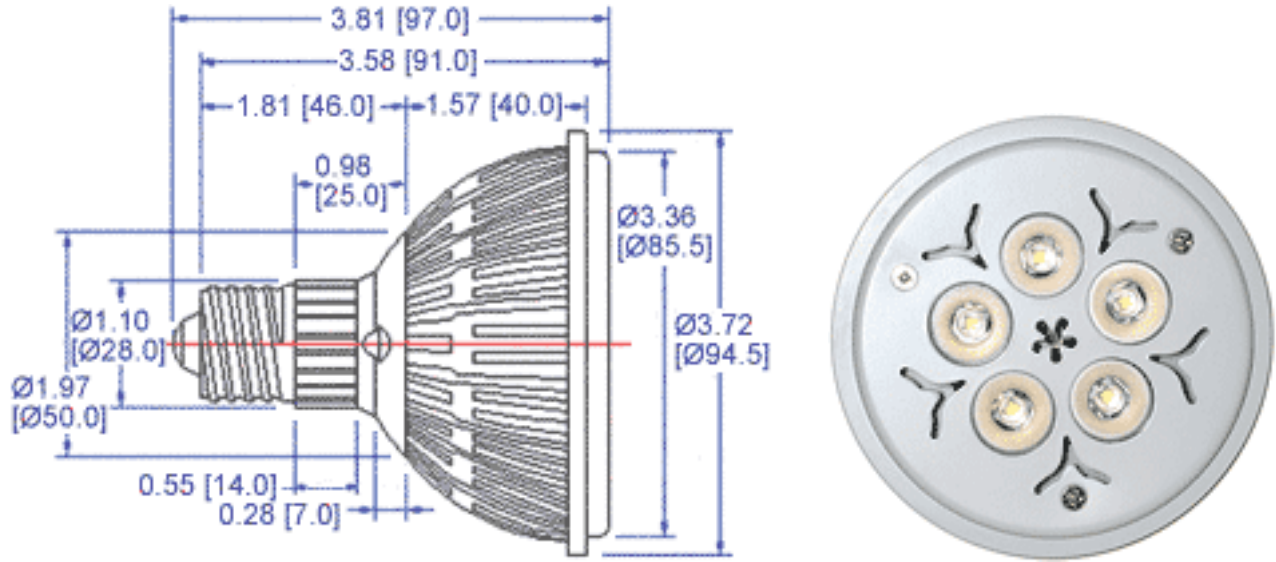
LED Light Bulb, Par30, E26 Base  
85-265VAC, Warm White, 3000K  
15°±3° Viewing Angle

DWG BY:  
GP  
05-14-10

CHK BY:  
PL  
06-16-11

QA:  
RD  
06-14-11

REVISION LTR: A  
ECR#: 061011-RTD01  
06-13-11



**Notes:**

1. Dimensions are in Inches [Millimeters].



○ **Specification**

Input Voltage (typ)	80-265VAC
Tested @ (Voltage)	120VAC
Power Consumption	9.5W typ, 10.0W max
Current Consumption	0.124 A
Efficacy: (Lm/W)	38.6
Lumens	367 lm
Total Ft-Cd	2938 cd
Power Factor	0.64
CRI	86
Color Correlated Temperature (CCT)	2800K~3250K
Color	Warm White
Viewing Angle	15°±3°
Operating Temperature	-30°C to +50°C
Body Temperature	42.7°C to 43.4°C (typ)
Body Color	White
Weight	0.59 lbs

# Luminaire Photometric Report

**Filename:** PAR30A-15W-XIW-0015

**Manufacturer:** LEDTRONICS -

**Luminaire:** WITH LED LENS, 120VAC, 9.5W

**Luminaire Cat:** PAR30A-15W-XIW-0015

**Lamp:** . LUMEN RATING: 367.1Lms.

**Lamp Output:** 1 lamp(s), rated lamp lumens: 367.1

**Max Candela:** 2,938.0 at Horizontal: 0, Vertical: 0

**Luminous Opening:** Point

**Test:** 1-26-09

## Flood Summary

	Efficiency	Lumens	Horizontal Spread	Vertical Spread
Field (10%):	69.5%	255.2	33.2	33.2
Beam (50%):	31.3%	115.0	15.7	15.7
Total:	100%	367.1		

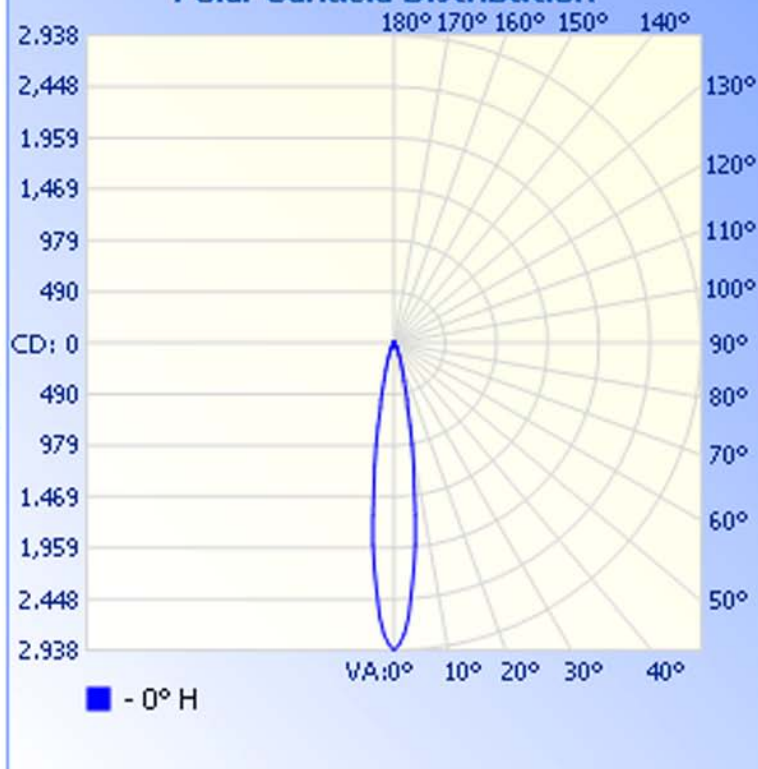
## Illuminance at a Distance

Center Beam FC      Beam Width

1.7ft	<b>1,057.68 fc</b>	<b>0.5ft</b>
3.3ft	<b>264.42 fc</b>	<b>0.9ft</b>
5.0ft	<b>117.52 fc</b>	<b>1.4ft</b>
6.7ft	<b>66.11 fc</b>	<b>1.8ft</b>
8.3ft	<b>42.31 fc</b>	<b>2.3ft</b>
10.0ft	<b>29.38 fc</b>	<b>2.8ft</b>

■ Beam Spread: 15.7°

## Polar Candela Distribution



## Isofootcandle Plot

