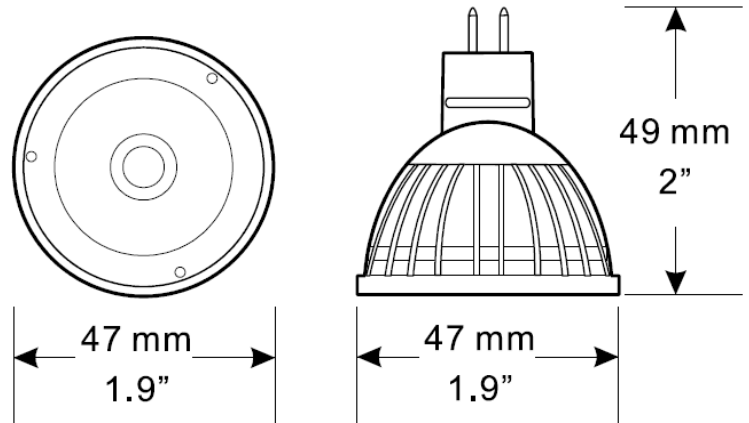




American Opto Plus LED MR16-1W-X



American Opto Plus' MR16-1W is specially designed to retrofit into standard MR16 fixtures and housing. Each of the lamp features a single 1Watt LED with enhanced optics to achieve the highest light intensity. In addition, the aluminum housing makes the heat dissipation more effective. The Power Base MR series is a cost-effective solution for designers who want to quickly take advantage of the SSL technology.



SELECTION GUIDE

Part Number	Color	Wavelength	Color Temp. (Kelvin)	Light Output (Lumen)	Efficacy (Lm/W)
MR16-1W-W	White	-	6000	30	30
MR16-1W-WW	Warm White	-	3200	22	22
MR16-1W-E	Red	623	-	26	26
MR16-1W-G	Green	525	-	35	35
MR16-1W-B	Blue	470	-	10	10
MR16-1W-O	Amber	592	-	30	30



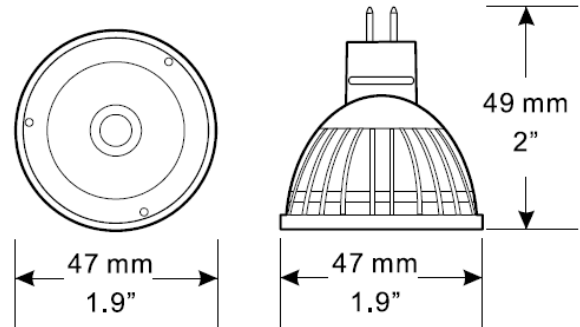
American Opto Plus LED

MR16-1W-X

Specification Features

Color Range	Red, Green, Blue, Amber, White,
Dimensions	Φ47mm x H49mm
Light Source	1W High Power LED
Housing	Aluminum
Operating Temperature	-40°C to 50°C (-104°F to 122°F)
Starting Temperature	-20°C to 50°C (-68°F to 122°F)
IP Rating	IP 40
LED source life	30, 000 hours
Base	MR16
Accessory	None
Weight	0.045kg/0.10 lb
Certificate	CE

Physical Dimensions



Electrical

Power Input	AC/DC 12V
Current	350 mA
Total Power Consumption	W, W W, G, B : 2.16W, A, R : 1.68W

Optical

Lens	Polycarbonate
Beam Angle	40°/16°
Light Distribution	Symmetric direct illumination