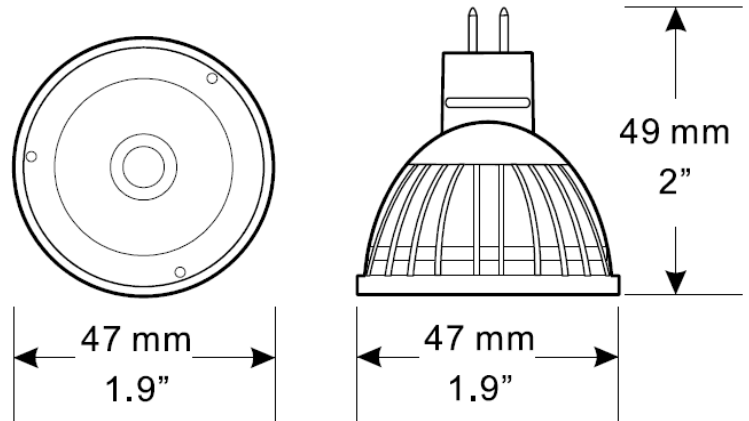




## American Opto Plus LED MR16-3W-X



**American Opto Plus'** MR16-3W is specially designed to retrofit into standard MR16 fixtures and housing. Each of the lamp features a single 3 Watt LED with enhanced optics to achieve the highest light intensity. In addition, the aluminum housing makes the heat dissipation more effective. The Power Base MR series is a cost-effective solution for designers who want to quickly take advantage of the SSL technology.



### SELECTION GUIDE

Part Number	Color	Wavelength	Color Temp. (Kelvin)	Light Output (Lumen)	Efficacy (Lm/W)
MR16-3W-W	White	-	6000	90	30
MR16-3W-WW	Warm White	-	3200	60	20
MR16-3W-E	Red	623	-	65	21.7
MR16-3W-G	Green	525	-	90	30
MR16-3W-B	Blue	470	-	30	10
MR16-3W-O	Amber	592	-	65	21.7

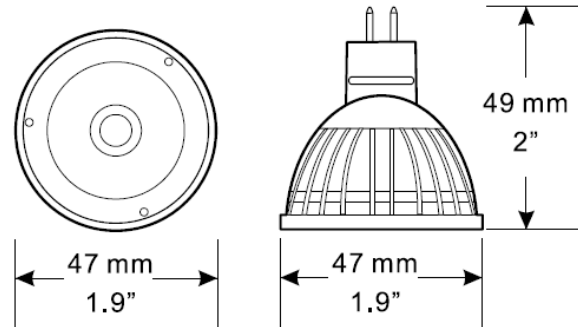


# American Opto Plus LED MR16-3W-X

## Specification Features

<b>Color Range</b>	Red, Green, Blue, Amber, White,
<b>Dimensions</b>	Φ47mm x H49mm
<b>Light Source</b>	1W High Power LED
<b>Housing</b>	Aluminum
<b>Operating Temperature</b>	-40°C to 50°C (-104°F to 122°F)
<b>Starting Temperature</b>	-20°C to 50°C (-68°F to 122°F)
<b>IP Rating</b>	IP 40
<b>LED source life</b>	30, 000 hours
<b>Base</b>	MR16
<b>Accessory</b>	None
<b>Weight</b>	0.045kg/0.10 lb
<b>Certificate</b>	CE

## Physical Dimensions



## Electrical

<b>Power Input</b>	AC/DC 12V
<b>Current</b>	350 mA
<b>Total Power Consumption</b>	W, W W, G, B : 2.16W, A, R : 1.68W

## Optical

<b>Lens</b>	Polycarbonate
<b>Beam Angle</b>	40°/16°
<b>Light Distribution</b>	Symmetric direct illumination