

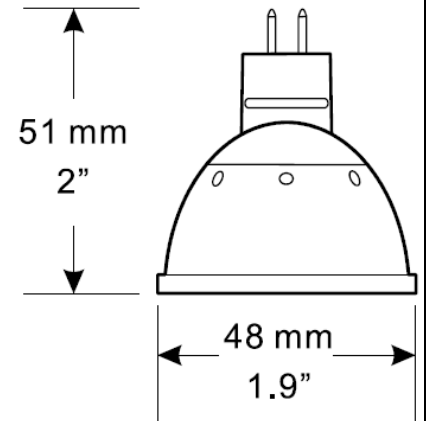
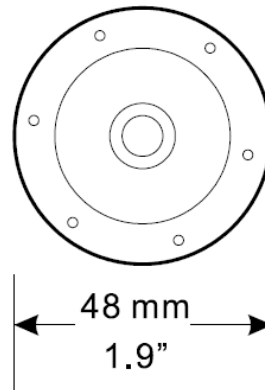


American Opto Plus LED MR16-3WRGB



American Opto Plus'

Power Base is specially designed to retrofit into standard MR16 fixtures and housing. Each of the lamp features a single 3.5 Watt LED with enhanced optics to achieve the highest light intensity. In addition, the aluminum housing makes the heat dissipation more effective. Integrated on-board controller allows projecting different color with changing effects with either dynamic sequences or uniform saturated colors. The entire control system is managed by an external IR remote control.



SELECTION GUIDE

Part Number	Color	Wavelength	Color Temp. (Kelvin)	Light Output (Lumen)	Efficacy (Lm/W)
MR16-3WRGB	See Below	See Below	See Below	See Below	See Below



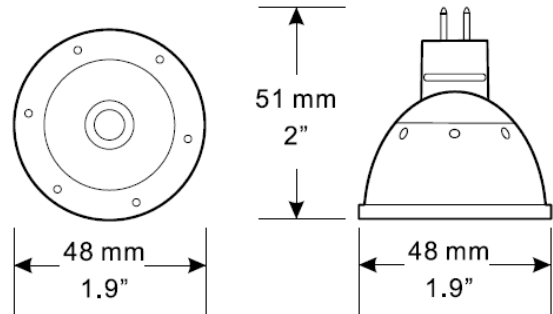
American Opto Plus LED

MR16-3WRGB

Specification Features

Physical Dimensions

Color Range	Combining different brightness of red, green blue LED produce over
Dimensions	Φ48mm x H51mm
Light Source	1pc 3.5W RGB High Power LED
Housing	Aluminum
Operating Temperature	-40°C to 50°C (-104°F to 122°F)
Starting Temperature	-20°C to 50°C (-68°F to 122°F)
IP Rating	IP 40
LED source life	30, 000 hours
Base	MR16
Accessory	IR Remote Control
Weight	0.045kg/0.10lb



Electrical

Power Input	DC 12V
Current	Max. 750 mA
Total Power Consumption	5W

Optical

Lens	Polycarbonate
Beam Angle	35°
Light Distribution	Symmetric direct illumination

Light Output

Color	Light Output (Lm)	Power (W)	Efficacy (Lm/W)
White	107	3.5	30.57
Red	30	1.2	25
Green	30	1.1	27.27
Blue	12	1.2	8.33