

MR16-4W-XPW-003M

**LED Light Bulb, MR16 Style GU5.3 BiPin
12VAC/DC, Pure White, 6000K
34° Viewing Angle**

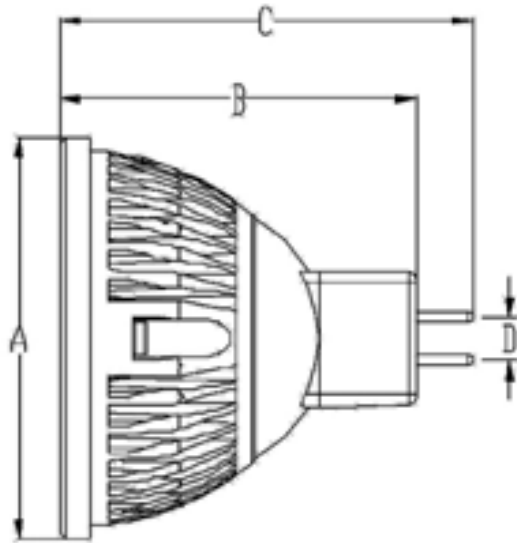
DWG BY:
LET / GP
08-16-11

CHK BY:
PL
08-19-11

R&D:
BJ
08-16-11

REVISION LTR: -

08-16-11



○ **Dimension**

A (mm)	B (mm)	C (mm)	D (mm)
50	44	51	5.3

Notes:

1. Dimensions are in mm.

○ **Specification**

Input Voltage (typ)	12VAC/DC
Tested @ (Voltage)	12VAC
Power Consumption	4W
Current Consumption	0.464 A
Efficacy: (Lm/W)	61
Lumens	244 lm
Total Ft-Cd	652 cd
Power Factor	0.71
CRI (Ra)	75
Color Correlated Temperature (CCT)	5500K~6500K
Color	Pure White
Viewing Angle	34°
Operating Temperature	-20°C to +40°C
Housing Temperature	48°C
Body Color	Silver
Weight	0.137 lbs.

Luminaire Photometric Report

Filename: MR16-4W-XPW-003M

Manufacturer: LEDTRONICS

Luminaire: CLEAR LENS, 12VAC, 4.0W

Luminaire Cat: MR16-4W-XPW-003M

Lamp: LUMEN RATING: 244.5Lms

Lamp Output: 1 lamp(s), rated Lumens/lamp: 244.5

Max Candela: 652.0 at Horizontal: 180°, Vertical: 1°

Luminous Opening: Point

Test: 7-27-11

Flood Summary

Efficiency Lumens Horizontal Spread Vertical Spread

Field (10%): 86% 210.3 55.4 56.2

Beam (50%): 55.9% 136.6 34.1 34.5

Total: 100% 244.5

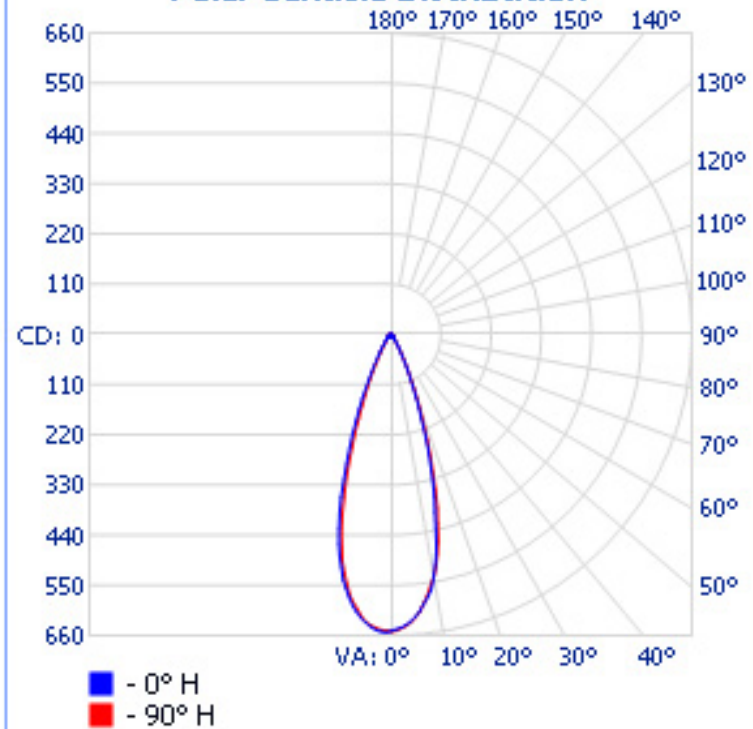
Illuminance at a Distance

Center Beam FC Beam Width

1.7ft	233.64 fc	1.0ft	1.0ft
3.3ft	58.41 fc	2.1ft	2.0ft
5.0ft	25.96 fc	3.1ft	3.1ft
6.7ft	14.60 fc	4.1ft	4.1ft
8.3ft	9.35 fc	5.2ft	5.1ft
10.0ft	6.49 fc	6.2ft	6.1ft

■ Vert. Spread: 34.5° ■ Horiz. Spread: 34.1°

Polar Candela Distribution



Isofootcandle Plot

