

MR16-4W-XPW-003S

**LED Light Bulb, MR16 Style GU5.3 BiPin
12VAC/DC, Pure White, 6000K
17° Viewing Angle**

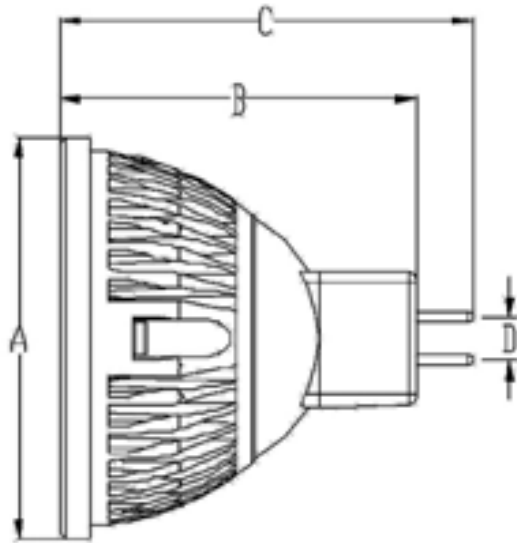
DWG BY:
LET / GP
08-16-11

CHK BY:
PL
08-19-11

R&D:
BJ
08-16-11

REVISION LTR: -

08-16-11



○ **Dimension**

A (mm)	B (mm)	C (mm)	D (mm)
50	44	51	5.3

Notes:

1. Dimensions are in mm.

○ **Specification**

Input Voltage (typ)	12VAC/DC
Tested @ (Voltage)	12VAC
Power Consumption	4W
Current Consumption	0.464 A
Efficacy: (Lm/W)	47
Lumens	187 lm
Total Ft-Cd	1050 cd
Power Factor	0.70
CRI (Ra)	75
Color Correlated Temperature (CCT)	5500K~6500K
Color	Pure White
Viewing Angle	17°
Operating Temperature	-20°C to +40°C
Housing Temperature	46°C
Body Color	Silver
Weight	0.137 lbs.

Luminaire Photometric Report

Filename: MR16-4W-XPW-0035

Manufacturer: LEDTRONICS

Luminaire: CLEAR LENS, 12VAC, 4.0W

Luminaire Cat: MR16-4W-XPW-0035

Lamp: LUMEN RATING: 187.1Lms

Lamp Output: 1 lamp(s), rated Lumens/lamp: 187.1

Max Candela: 1,050.0 at Horizontal: 270°, Vertical: 0°

Luminous Opening: Point

Test: 7-27-11

Flood Summary

Efficiency Lumens Horizontal Spread Vertical Spread

Field (10%):	67%	125.3	40.3	41.1
Beam (50%):	27.8%	52.0	16.8	17.4
Total:	100%	187.1		

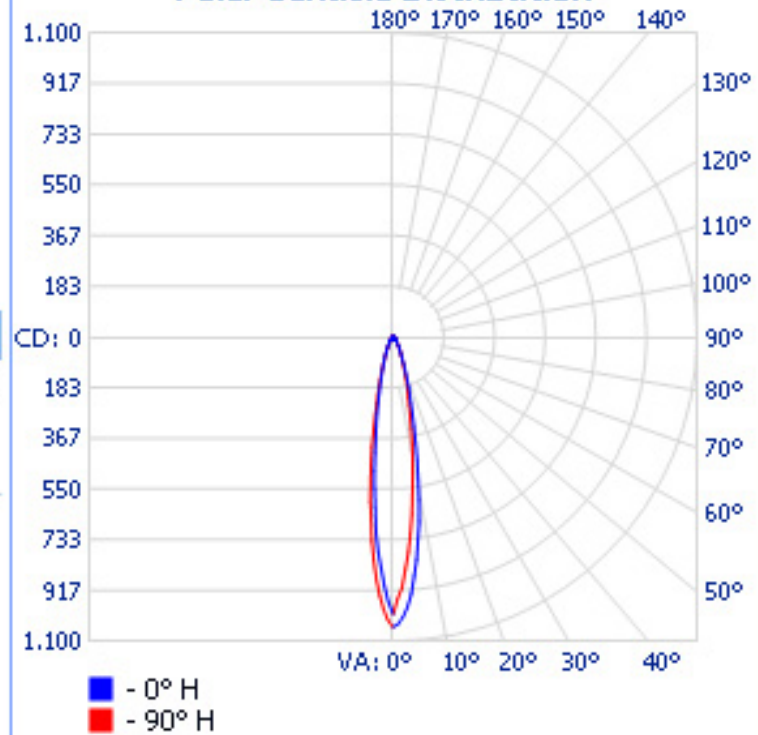
Illuminance at a Distance

Center Beam FC Beam Width

1.7ft	377.64 fc	0.5ft	0.5ft
3.3ft	94.41 fc	1.0ft	1.0ft
5.0ft	41.96 fc	1.5ft	1.5ft
6.7ft	23.60 fc	2.0ft	2.0ft
8.3ft	15.11 fc	2.6ft	2.5ft
10.0ft	10.49 fc	3.1ft	3.0ft

■ Vert. Spread: 17.4° ■ Horiz. Spread: 16.8°

Polar Candela Distribution



Isofootcandle Plot

