

MR16-4W-XIW-003M

LED Light Bulb, MR16 Style GU5.3 BiPin
12VAC/DC, Warm White, 3000K
35° Viewing Angle

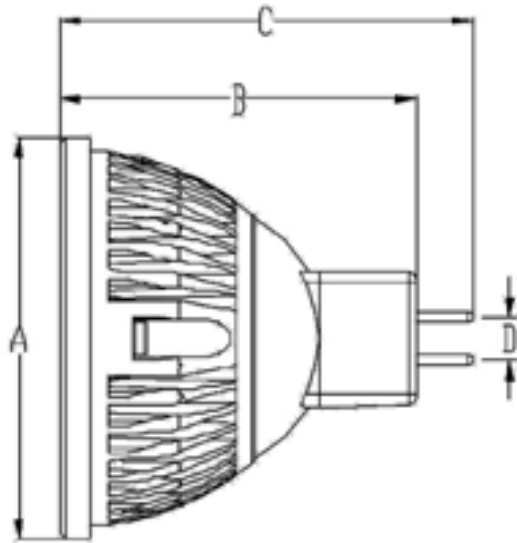
DWG BY:
LET / GP
08-16-11

CHK BY:
PL
08-19-11

R&D:
BJ
08-16-11

REVISION LTR: -

08-16-11



○ **Dimension**

A (mm)	B (mm)	C (mm)	D (mm)
50	44	51	5.3

Notes:

1. Dimensions are in mm.

○ **Specification**

Input Voltage (typ)	12VAC/DC
Tested @ (Voltage)	12VAC
Power Consumption	4W
Current Consumption	0.449 A
Efficacy: (Lm/W)	50
Lumens	197 lm
Total Ft-Cd	529 cd
Power Factor	0.72
CRI (Ra)	82
Color Correlated Temperature (CCT)	3000K~3200K
Color	Warm White
Viewing Angle	35°
Operating Temperature	-20°C to +40°C
Housing Temperature	47°C
Body Color	Silver
Weight	0.137 lbs.

Luminaire Photometric Report

Filename: MR16-4W-XIW-003M

Manufacturer: LEDTRONICS

Luminaire: CLEAR LENS, 12VAC, 3.9W

Luminaire Cat: MR16-4W-XIW-003M

Lamp: LUMEN RATING: 197.0Lms

Lamp Output: 1 lamp(s), rated Lumens/lamp: 197

Max Candela: 529.0 at Horizontal: 0°, Vertical: 0°

Luminous Opening: Point

Test: 8-1-11

Flood Summary

Efficiency Lumens Horizontal Spread Vertical Spread

Field (10%):	86.9%	171.3	54.5	54.8
Beam (50%):	58.4%	115.1	34.9	35
Total:	100%	197.0		

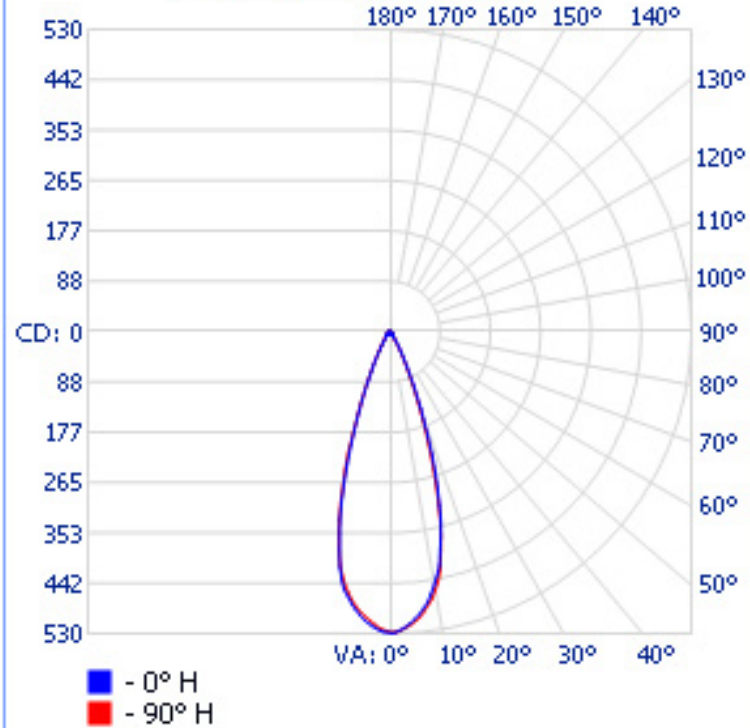
Illuminance at a Distance

Center Beam FC Beam Width

1.7ft	190.44 fc	1.1ft	1.0ft
3.3ft	47.61 fc	2.1ft	2.1ft
5.0ft	21.16 fc	3.2ft	3.1ft
6.7ft	11.90 fc	4.2ft	4.2ft
8.3ft	7.62 fc	5.3ft	5.2ft
10.0ft	5.29 fc	6.3ft	6.3ft

■ Vert. Spread: 35.0° ■ Horiz. Spread: 34.9°

Polar Candela Distribution



Isofootcandle Plot

