

## MR16-4W-XIW-003S

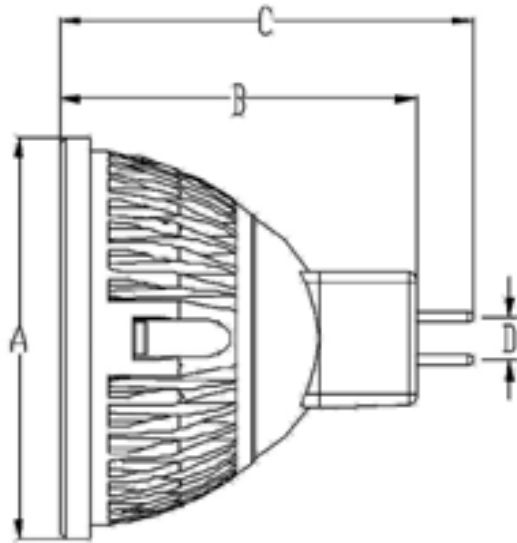
LED Light Bulb, MR16 Style GU5.3 BiPin  
12VAC/DC, Warm White, 3000K  
20° Viewing Angle

DWG BY:  
LET / GP  
08-16-11

CHK BY:  
PL  
08-19-11

R&D:  
BJ  
08-16-11

REVISION LTR: -  
  
08-16-11



○ **Dimension**

A (mm)	B (mm)	C (mm)	D (mm)
50	44	51	5.3

**Notes:**

1. Dimensions are in mm.

○ **Specification**

Input Voltage (typ)	12VAC/DC
Tested @ (Voltage)	12VAC
Power Consumption	4W
Current Consumption	0.456 A
Efficacy: (Lm/W)	46
Lumens	181 lm
Total Ft-Cd	902 cd
Power Factor	0.71
CRI (Ra)	82
Color Correlated Temperature (CCT)	3000K~3200K
Color	Warm White
Viewing Angle	20°
Operating Temperature	-20°C to +40°C
Housing Temperature	50°C
Body Color	Silver
Weight	0.137 lbs.

## Luminaire Photometric Report

**Filename:** MR16-4W-XIW-0035

**Manufacturer:** LEDTRONICS

**Luminaire:** CLEAR LENS, 12VAC, 3.9W

**Luminaire Cat:** MR16-4W-XIW-0035

**Lamp:** LUMEN RATING: 181.0Lms

**Lamp Output:** 1 lamp(s), rated Lumens/lamp: 181

**Max Candela:** 902.0 at Horizontal: 270°, Vertical: 0°

**Luminous Opening:** Point

**Test:** 8-1-11

### Flood Summary

Efficiency Lumens Horizontal Spread Vertical Spread

Field (10%): 70.1% 126.9 42.9 43.1

Beam (50%): 33.3% 60.2 19.8 19.9

Total: 100% 181.0

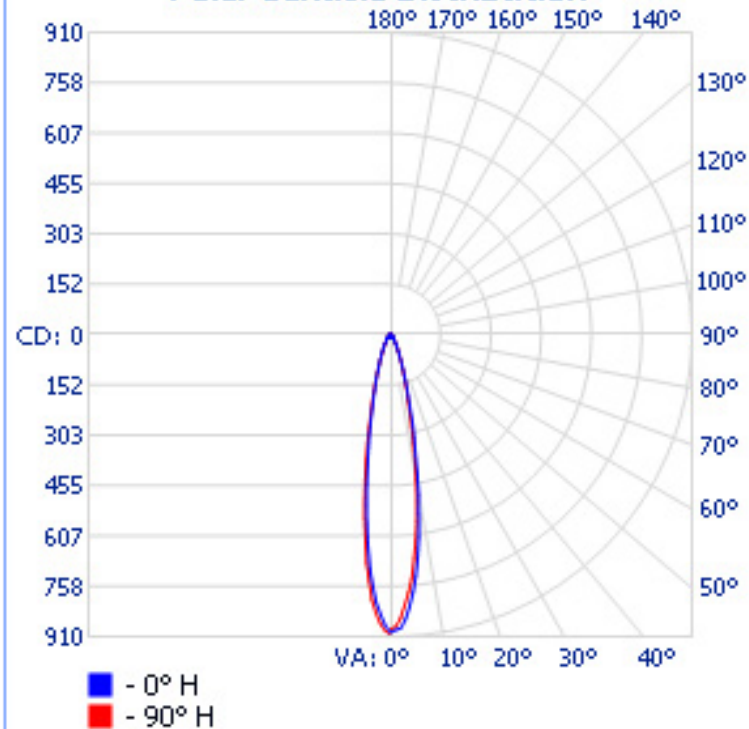
### Illuminance at a Distance

Center Beam FC Beam Width

1.7ft	322.92 fc	0.6ft	0.6ft
3.3ft	80.73 fc	1.2ft	1.2ft
5.0ft	35.88 fc	1.8ft	1.7ft
6.7ft	20.18 fc	2.3ft	2.3ft
8.3ft	12.92 fc	2.9ft	2.9ft
10.0ft	8.97 fc	3.5ft	3.5ft

■ Vert. Spread: 19.9° ■ Horiz. Spread: 19.8°

### Polar Candela Distribution



### Isofootcandle Plot

