

MR16-4W-XHW-003M

**LED Light Bulb, MR16 Style GU5.3 BiPin
12VAC/DC, Halogen White, 2700K
35° Viewing Angle**

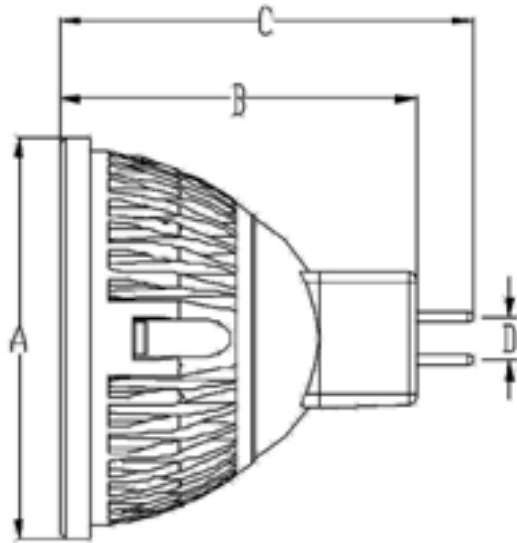
DWG BY:
LET / GP
08-16-11

CHK BY:
PL
08-19-11

R&D:
BJ
08-16-11

REVISION LTR: -

08-16-11



○ **Dimension**

A (mm)	B (mm)	C (mm)	D (mm)
50	44	51	5.3

Notes:

1. Dimensions are in mm.

○ **Specification**

Input Voltage (typ)	12VAC/DC
Tested @ (Voltage)	12VAC
Power Consumption	4W
Current Consumption	0.442 A
Efficacy: (Lm/W)	49
Lumens	185 lm
Total Ft-Cd	475 cd
Power Factor	0.72
CRI (Ra)	82
Color Correlated Temperature (CCT)	2700K~2875K
Color	Halogen White
Viewing Angle	35°
Operating Temperature	-20°C to +40°C
Housing Temperature	51°C
Body Color	Silver
Weight	0.137 lbs.

Luminaire Photometric Report

Filename: MR16-4W-XHW-003M

Manufacturer: LEDTRONICS

Luminaire: CLEAR LENS, 12VAC, 3.8W

Luminaire Cat: MR16-4W-XHW-003M

Lamp: LUMEN RATING: 184.9Lms

Lamp Output: 1 lamp(s), rated Lumens/lamp: 184.9

Max Candela: 475.0 at Horizontal: 270°, Vertical: 2°

Luminous Opening: Point

Test: 7-27-11

Flood Summary

Efficiency Lumens Horizontal Spread Vertical Spread

Field (10%):	85.4%	157.9	56.7	56.7
Beam (50%):	55.4%	102.4	34.7	34.6
Total:	100%	184.9		

Illuminance at a Distance

Center Beam FC Beam Width

1.7ft	169.56 fc	1.0ft	1.0ft
3.3ft	42.39 fc	2.1ft	2.1ft
5.0ft	18.84 fc	3.1ft	3.1ft
6.7ft	10.60 fc	4.2ft	4.2ft
8.3ft	6.78 fc	5.2ft	5.2ft
10.0ft	4.71 fc	6.2ft	6.3ft

■ Vert. Spread: 34.6° ■ Horiz. Spread: 34.7°

