

MR16-4W-XHW-003S

**LED Light Bulb, MR16 Style GU5.3 BiPin
12VAC/DC, Halogen White, 2700K
20° Viewing Angle**

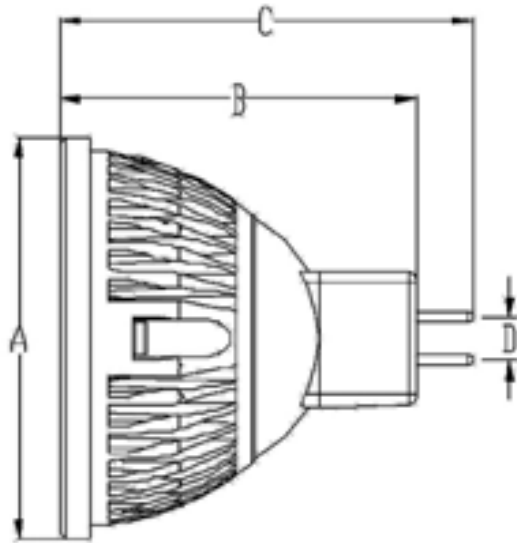
DWG BY:
LET / GP
08-16-11

CHK BY:
PL
08-19-11

R&D:
BJ
08-16-11

REVISION LTR: -

08-16-11



○ **Dimension**

A (mm)	B (mm)	C (mm)	D (mm)
50	44	51	5.3

Notes:

1. Dimensions are in mm.

○ **Specification**

Input Voltage (typ)	12VAC/DC
Tested @ (Voltage)	12VAC
Power Consumption	4W
Current Consumption	0.458 A
Efficacy: (Lm/W)	45
Lumens	180 lm
Total Ft-Cd	874 cd
Power Factor	0.71
CRI (Ra)	82
Color Correlated Temperature (CCT)	2700K~2875K
Color	Halogen White
Viewing Angle	20°
Operating Temperature	-20°C to +40°C
Housing Temperature	47°C
Body Color	Silver
Weight	0.137 lbs.

Luminaire Photometric Report

Filename: MR16-4W-XHW-0035

Manufacturer: LEDTRONICS

Luminaire: CLEAR LENS, 12VAC, 4.0W

Luminaire Cat: MR16-4W-XHW-0035

Lamp: LUMEN RATING: 180.2Lms

Lamp Output: 1 lamp(s), rated Lumens/lamp: 180.2

Max Candela: 874.0 at Horizontal: 0°, Vertical: 0°

Luminous Opening: Point

Test: 7-27-11

Flood Summary

Efficiency Lumens Horizontal Spread Vertical Spread

Field (10%):	72.4%	130.4	44.1	43.9
Beam (50%):	34%	61.2	20.1	20.1
Total:	100%	180.2		

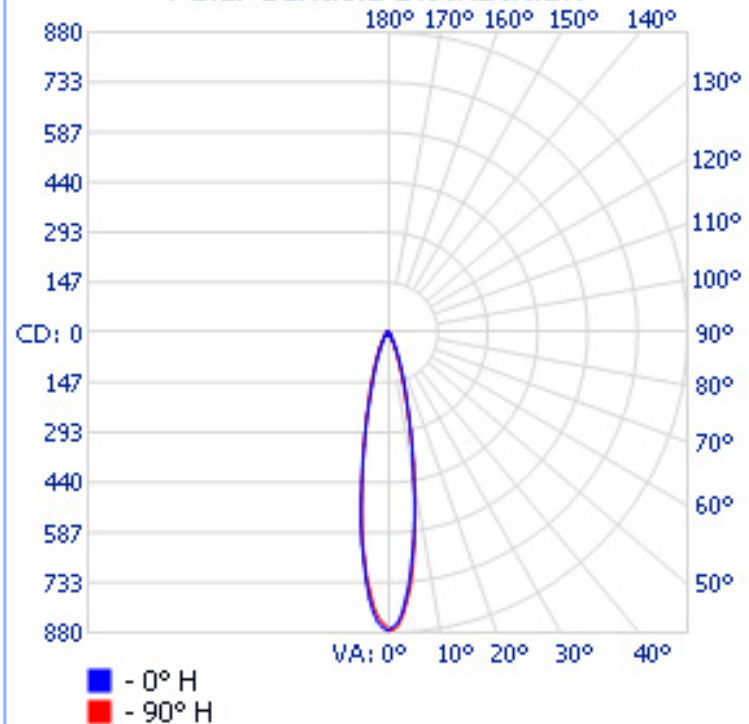
Illuminance at a Distance

Center Beam FC Beam Width

1.7ft	314.64 fc	0.6ft	0.6ft
3.3ft	78.66 fc	1.2ft	1.2ft
5.0ft	34.96 fc	1.8ft	1.8ft
6.7ft	19.67 fc	2.4ft	2.4ft
8.3ft	12.59 fc	3.0ft	3.0ft
10.0ft	8.74 fc	3.5ft	3.6ft

■ Vert. Spread: 20.1° ■ Horiz. Spread: 20.1°

Polar Candela Distribution



Isofootcandle Plot

