

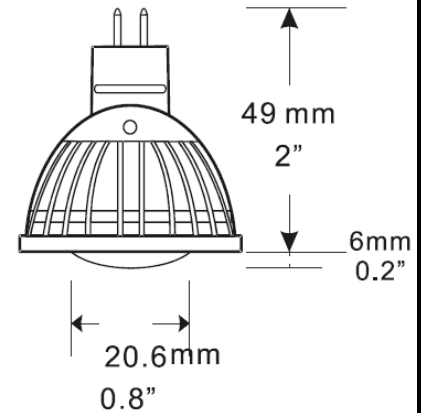
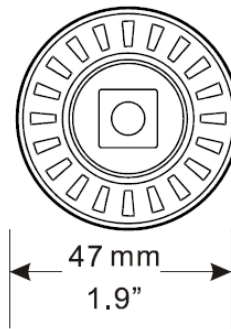


American Opto Plus LED MR16-4W-X



American Opto Plus'

MR16-4W is specially designed to retrofit into standard MR16 fixtures and housing. Each of the lamp features a single 4 Watt LED with enhanced optics to achieve the highest light intensity. In addition, the aluminum housing makes the heat dissipation more effective. The Power Base MR series is a cost-effective solution for designers who want to quickly take advantage of the SSL technology.



SELECTION GUIDE

Part Number	Color	Wavelength	Color Temp. (Kelvin)	Light Output (Lumen)	Efficacy (Lm/W)
MR16-4W-W	White	-	6000	85	21.3
MR16-4W-WW	Warm White	-	3200	45	13.3
MR16-4W-E	Red	623	-	55	13.8
MR16-4W-G	Green	525	-	55	13.8
MR16-4W-B	Blue	470	-	15	3.75
MR16-4W-O	Amber	592	-	55	13.8



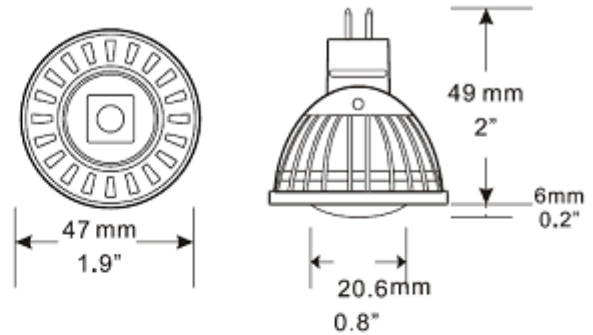
American Opto Plus LED

MR16-4W-X

Specification Features

Color Range	Red, Green, Blue, Amber, White, Warm White
Dimensions	Φ47mm x H49mm (Φ1.9" x 2")
Light Source	1pc 4W High Power LED
Housing	Aluminum
Operating Temperature	-40°C to 50°C (-104°F to 122°F)
Starting Temperature	-20°C to 50°C (-68°F to 122°F)
IP Rating	IP 40
LED source life	30, 000 hours
Base	MR16
Accessory	None
Weight	0.045kg/0.10lb
Certificate	CE

Physical Dimensions



Electrical

Power Input	AC/DC 12V
Current	700mA
Total Power Consumption	4.68W

Optical

Lens	Polycarbonate
Beam Angle	60°
Light Distribution	Symmetric direct illumination