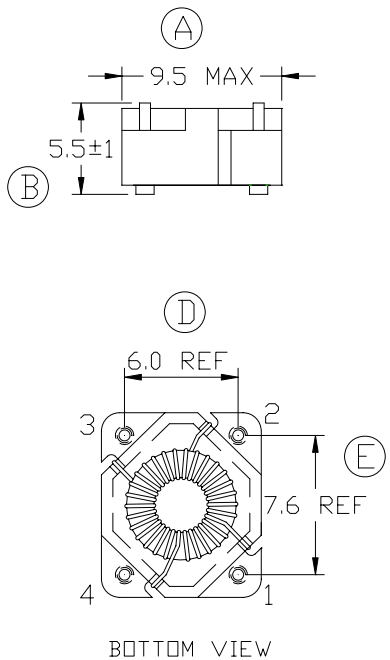


Broadband Access Transformer

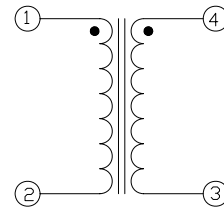
- Designed to meet UL 60950 and EN 60950 requirements for supplementary insulation and 250V working voltage
- RoHS Compliant
- Excellent THD performance
- Operating Temperature -40°C to 85°C

Electrical Specifications @25°C	
OCL:	PIN 1-2= 4.7mH ±30% @ 10KHz/0.1V/Ser.
	PIN 4-3= 4.7mH ±30% @ 10KHz/0.1V/Ser.
D.C.R:	PIN 1-2= 900 mohm Max.
	PIN 4-3= 900 mohm Max.
Turn Ratio	PIN 1-2 to PIN4-3 = 1±2%:1
Hi-POT	Pri.-Sec. = 750V

Dimensions (Units: mm)



Schematic



Mark

1. DATE CODE----YYWW
2. G----RoHS

