

## FEATURES

- **Supply Current: 36µA at 400kHz**
- **1% Frequency Accuracy (from 0°C to 70°C)**
- **Frequency Range: 40kHz to 4MHz**
- **One Resistor Sets the Oscillator Frequency**
- **-40°C to 125°C Operating Temperature Range**
- **Start-Up Time Under 200µs at 4MHz**
- **First Cycle After Power-Up is Accurate**
- **150Ω CMOS Output Driver**
- **Low Profile (1mm) SOT-23 (ThinSOT™) Package**

## APPLICATIONS

- Low Cost Precision Programmable Oscillator
- Rugged, Compact Micropower Replacement for Crystal and Ceramic Oscillators
- High Shock and Vibration Environments
- Portable and Battery-Powered Equipment
- PDAs and Cellular Phones

LT, LT, LTC and LTM are registered trademarks of Linear Technology Corporation. ThinSOT is a trademark of Linear Technology Corporation. All other trademarks are the property of their respective owners.

## DESCRIPTION

The LTC®6907 is a precision programmable oscillator that is versatile, compact and easy to use. Micropower operation benefits portable and battery-powered equipment. At 400kHz, the LTC6907 consumes 36µA on a 3V supply.

A single resistor programs the oscillator frequency over a 10:1 range with better than 0.65% initial accuracy. The output frequency can be divided by 1, 3 or 10 to span a 100:1 total frequency range, 40kHz to 4MHz.

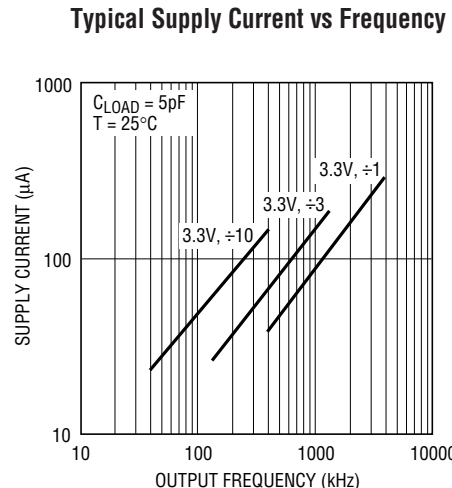
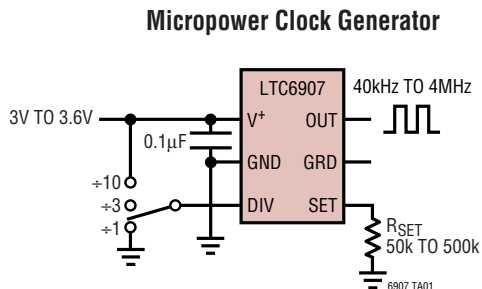
The LTC6907 is easily programmed according to this simple formula:

$$f_{OUT} = \frac{4\text{MHz}}{N} \cdot \left( \frac{50\text{k}}{R_{SET}} \right), N = \begin{cases} 10, & \text{DIV Pin} = V^+ \\ 3, & \text{DIV Pin} = \text{Open} \\ 1, & \text{DIV Pin} = \text{GND} \end{cases}$$

The LTC6907 is available in the 6-lead SOT-23 (ThinSOT) package.

Contact LTC Marketing for a version of the part with a shutdown feature or lower frequency operation.

## TYPICAL APPLICATION



## ABSOLUTE MAXIMUM RATINGS

(Note 1)

|   |                                  |                |
|---|----------------------------------|----------------|
| V <sup>+</sup> .....                      | -0.3V to 6V                      |                |
| DIV to GND .....                          | -0.3V to (V <sup>+</sup> + 0.3V) |                |
| SET to GND .....                          | -0.3V to (V <sup>+</sup> + 0.3V) |                |
| GRD to GND .....                          | -0.3V to (V <sup>+</sup> + 0.3V) |                |
| Operating Temperature Range (Note 7)      |                                  |                |
| LTC6907C .....                            | -40°C to 85°C                    |                |
| LTC6907I .....                            | -40°C to 85°C                    |                |
| LTC6907H .....                            | -40°C to 125°C                   |                |
| Specified Temperature Range (Note 7)      |                                  |                |
| LTC6907C .....                            | 0°C to 70°C                      |                |
| LTC6907I .....                            | -40°C to 85°C                    |                |
| LTC6907H .....                            | -40°C to 125°C                   |                |
| Storage Temperature Range .....           |                                  | -65°C to 150°C |
| Lead Temperature (Soldering, 10 sec)..... |                                  | 300°C          |

## PACKAGE/ORDER INFORMATION

|   |  |
|---|--|
|   | ORDER PART NUMBER                      |
|   | LTC6907CS6<br>LTC6907IS6<br>LTC6907HS6 |
|   | S6 PART MARKING*                       |
|   | LTBTX                                  |
| <b>Order Options</b> Tape and Reel: Add #TR<br>Lead Free: Add #PBF Lead Free Tape and Reel: Add #TRPBF<br>Lead Free Part Marking: <a href="http://www.linear.com/leadfree/">http://www.linear.com/leadfree/</a> |  |

Consult LTC Marketing for parts specified with wider operating temperature ranges.  
 \*The temperature grade is indicated by a label on the shipping container.

## ELECTRICAL CHARACTERISTICS

The ● denotes the specifications which apply over the full specified temperature range, otherwise specifications are at T<sub>A</sub> = 25°C. V<sup>+</sup> = 3V to 3.6V, C<sub>L</sub> = 5pF, Pin 3 = V<sup>+</sup> unless otherwise noted. All voltages are with respect to GND.

| SYMBOL           | PARAMETER  | CONDITIONS   |  | MIN | TYP                  | MAX                 | UNITS                  |   |
|------------------|--|--|--|-----|----------------------|---------------------|------------------------|---|
| Δf               | Frequency Accuracy (Notes 2, 3)                  | V <sup>+</sup> = 3V to 3.6V  | 400kHz ≤ f ≤ 4MHz<br>400kHz ≤ f ≤ 4MHz, LTC6907C ●<br>400kHz ≤ f ≤ 4MHz, LTC6907I, H ● |     | ±0.25                | ±0.65<br>±1<br>±1.3 | %<br>%<br>%            |   |
| R <sub>SET</sub> | Frequency-Setting Resistor Range                 |  |  | ●   | 50                   | 500                 | kΩ                     |   |
| Δf/ΔT            | Frequency Drift Over Temp (Note 3)               | R <sub>SET</sub> = 158k  |  | ●   | ±0.005               |                     | %/°C                   |   |
| Δf/ΔV            | Frequency Drift Over Supply (Note 3)             | V <sup>+</sup> = 3V to 3.6V, 50k ≤ R <sub>SET</sub> ≤ 500k   |  |     | 0.06                 |                     | %/V                    |   |
|                  | Timing Jitter (Peak-to-Peak) (Note 4)            | Pin 3 = V <sup>+</sup> , 50k ≤ R <sub>SET</sub> ≤ 500k<br>Pin 3 = Open, 50k ≤ R <sub>SET</sub> ≤ 500k<br>Pin 3 = 0V, 50k ≤ R <sub>SET</sub> ≤ 500k |  |     | 0.12<br>0.28<br>0.60 |                     | %<br>%<br>%            |   |
| S <sub>f</sub>   | Long-Term Stability of Output Frequency (Note 9) | Pin 3 = V <sup>+</sup><br>Stability Over 1 Year<br>Stability Over 10 Years   |  |     | 300<br>888<br>2809   |                     | ppm/√kHr<br>ppm<br>ppm |   |
| DC               | Duty Cycle                                       |  |  | ●   | 43                   | 50                  | 57                     | % |
| V <sup>+</sup>   | Operating Supply Range (Note 8)                  |  |  | ●   | 3                    | 3.6                 | V                      |   |
| I <sub>S</sub>   | Power Supply Current                             | R <sub>SET</sub> = 500k, Pin 3 = 0V, R <sub>L</sub> = 10M<br>(DIV = 1, f <sub>OUT</sub> = 400kHz)  | V <sup>+</sup> = 3.6V ●<br>V <sup>+</sup> = 3V ●                                       |     | 40<br>36             | 55<br>48            | μA<br>μA               |   |
|                  |  | R <sub>SET</sub> = 50k, Pin 3 = 0V, R <sub>L</sub> = 10M<br>(DIV = 1, f <sub>OUT</sub> = 4MHz)   | V <sup>+</sup> = 3.6V ●<br>V <sup>+</sup> = 3V ●                                       |     | 305<br>275           | 406<br>366          | μA<br>μA               |   |
| V <sub>IH</sub>  | High Level DIV Input Voltage                     |  | V <sup>+</sup> = 3.6V ●<br>V <sup>+</sup> = 3V ●                                       |     | 3.1<br>2.6           |                     | V<br>V                 |   |
| V <sub>IL</sub>  | Low Level DIV Input Voltage                      |  | V <sup>+</sup> = 3.6V ●<br>V <sup>+</sup> = 3V ●                                       |     |                      | 0.5<br>0.2          | V<br>V                 |   |
| I <sub>DIV</sub> | DIV Input Current (Note 5)                       | Pin 3 = V <sup>+</sup><br>Pin 3 = 0V   | V <sup>+</sup> = 3.6V ●  |     | -2                   | 1<br>-1             | 2<br>μA<br>μA          |   |

## ELECTRICAL CHARACTERISTICS

The ● denotes the specifications which apply over the full specified temperature range, otherwise specifications are at  $T_A = 25^\circ\text{C}$ .  $V^+ = 3\text{V}$  to  $3.6\text{V}$ ,  $C_L = 5\text{pF}$ , Pin 3 =  $V^+$  unless otherwise noted. All voltages are with respect to GND.

| SYMBOL   | PARAMETER                                   | CONDITIONS  |                            | MIN | TYP  | MAX  | UNITS |   |
|----------|---|---|----------------------------|-----|------|------|-------|---|
| $V_{OH}$ | High Level Output Voltage (Note 5)          | $V^+ = 3.6\text{V}$                               | $I_{OH} = -100\mu\text{A}$ | ●   | 3.40 | 3.57 | V     |   |
|          |   |   | $I_{OH} = -1\text{mA}$     | ●   | 3.10 | 3.45 | V     |   |
|          |   | $V^+ = 3\text{V}$                                 | $I_{OH} = -100\mu\text{A}$ | ●   | 2.8  | 2.97 | V     |   |
|          |   |   | $I_{OH} = -1\text{mA}$     | ●   | 2.5  | 2.80 | V     |   |
| $V_{OL}$ | Low Level Output Voltage (Note 5)           | $V^+ = 3.6\text{V}$                               | $I_{OL} = 100\mu\text{A}$  | ●   |      | 0.08 | 0.2   | V |
|          |   |   | $I_{OL} = 1\text{mA}$      | ●   |      | 0.25 | 0.8   | V |
|          |   | $V^+ = 3\text{V}$                                 | $I_{OL} = 100\mu\text{A}$  | ●   |      | 0.07 | 0.2   | V |
|          |   |   | $I_{OL} = 1\text{mA}$      | ●   |      | 0.25 | 0.8   | V |
| $t_r$    | OUT Rise Time (Note 6)                      | $V^+ = 3.6\text{V}$                               |                            |     | 10   |      | ns    |   |
|          |   | $V^+ = 3\text{V}$                                 |                            |     | 25   |      | ns    |   |
| $t_f$    | OUT Fall Time (Note 6)                      | $V^+ = 3.6\text{V}$                               |                            |     | 10   |      | ns    |   |
|          |   | $V^+ = 3\text{V}$                                 |                            |     | 25   |      | ns    |   |
| VGS      | GRD Pin Voltage Relative to SET Pin Voltage | $-10\mu\text{A} \leq I_{GRD} \leq 0.3\mu\text{A}$ |                            | ●   | -10  | 10   | mV    |   |

**Note 1:** Stresses beyond those listed under Absolute Maximum Ratings may cause permanent damage to the device. Exposure to any Absolute Maximum Rating condition for extended periods may affect device reliability and lifetime.

**Note 2:** Some frequencies may be generated using two different values of  $R_{SET}$ . For these frequencies, the error is specified assuming that the larger value of  $R_{SET}$  is used.

**Note 3:** Frequency accuracy is defined as the deviation from the  $f_{OUT}$  equation.

**Note 4:** Jitter is the ratio of the peak-to-peak deviation of the period to the mean of the period. This specification is based on characterization and is not 100% tested.

**Note 5:** Current into a pin is given as a positive value. Current out of a pin is given as a negative value.

**Note 6:** Output rise and fall times are measured between the 10% and 90% power supply levels.

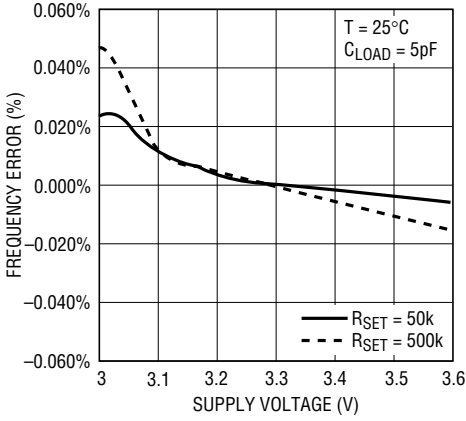
**Note 7:** The LTC6907C is guaranteed to meet specified performance from  $0^\circ\text{C}$  to  $70^\circ\text{C}$ . The LTC6907C is designed, characterized and expected to meet specified performance from  $-40^\circ\text{C}$  to  $85^\circ\text{C}$  but is not tested or QA sampled at these temperatures. The LTC6907I is guaranteed to meet specified performance from  $-40^\circ\text{C}$  to  $85^\circ\text{C}$ .

**Note 8:** Consult the Applications Information section for operation with supplies higher than  $3.6\text{V}$ .

**Note 9:** Long term drift on silicon oscillators is primarily due to the movement of ions and impurities within the silicon and is tested at  $30^\circ\text{C}$  under otherwise nominal operating conditions. Long term drift is specified as  $\text{ppm}/\sqrt{\text{kHr}}$  due to the typically non-linear nature of the drift. To calculate drift for a set time period, translate that time into thousands of hours, take the square root and multiply by the typical drift number. For instance, a year is  $8.77\text{kHr}$  and would yield a drift of  $888\text{ppm}$  at  $300\text{ppm}/\sqrt{\text{kHr}}$ . Ten years is  $87.7\text{kHr}$  and would yield a drift of  $2,809\text{ppm}$  at  $300\text{ppm}/\sqrt{\text{kHr}}$ . Drift without power applied to the device may be approximated as  $1/10^{\text{th}}$  of the drift with power, or  $30\text{ppm}/\sqrt{\text{kHr}}$  for a  $300\text{ppm}/\sqrt{\text{kHr}}$  device.

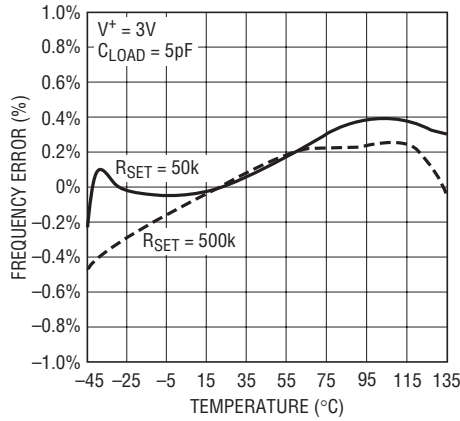
# TYPICAL PERFORMANCE CHARACTERISTICS

**Typical Frequency Error vs Power Supply Voltage**



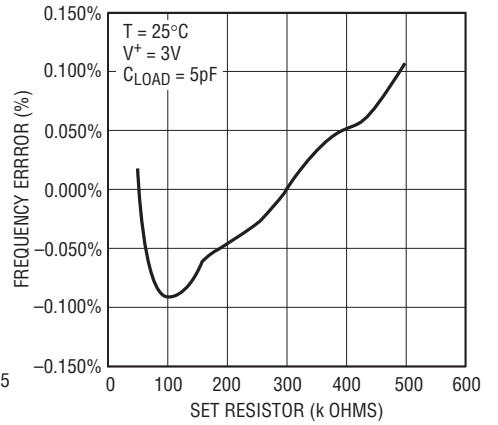
6907 G01

**Typical Frequency Error vs Temperature**



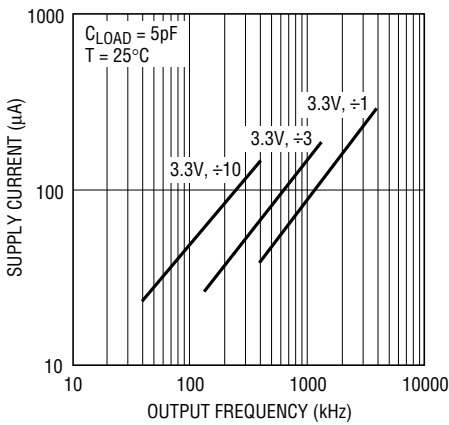
6907 G02

**Typical Frequency Error vs RSET**



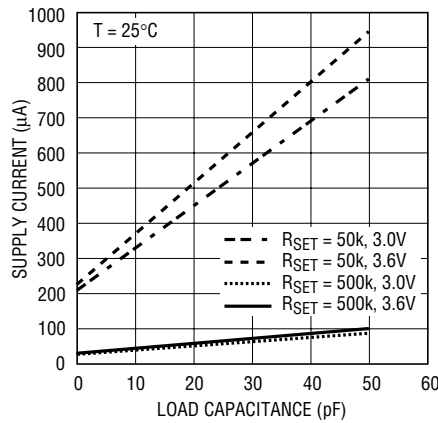
6907 G03

**Typical Supply Current vs Frequency**



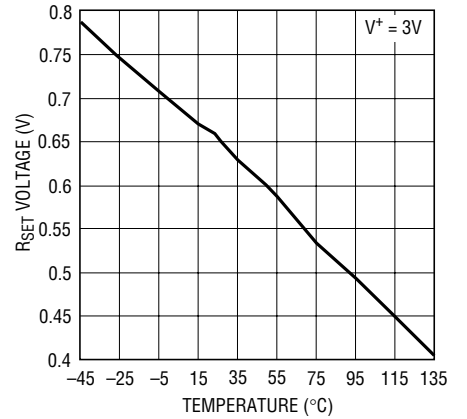
6907 G04

**Typical Supply Current vs Load Capacitance**



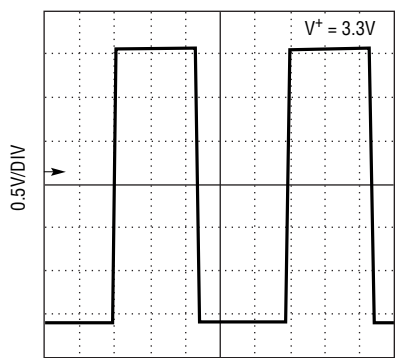
6907 G05

**VSET vs Temperature (VSET is the Voltage Measured at the SET Pin)**



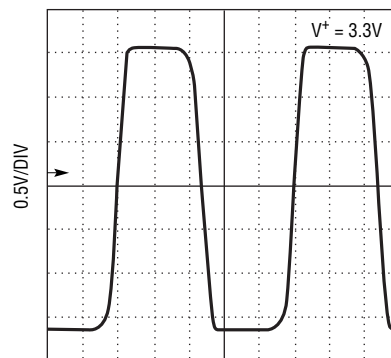
6907 G06

**Output Waveform, 400kHz**



6907 G07

**Output Waveform, 4MHz**



6907 G08

## PIN FUNCTIONS

**OUT (Pin 1):** Oscillator Output. The OUT pin swings from GND to  $V^+$  with an output resistance of approximately  $150\Omega$ . For micropower operation, the load resistance must be kept as high as possible and the load capacitance as low as possible.

**GND (Pin 2):** Ground.

**DIV (Pin 3):** Divider Setting Input. This three-level input selects one of three internal digital divider settings, determining the value of  $N$  in the frequency equation. Tie to GND for  $\div 1$ , leave floating for  $\div 3$  and tie to  $V^+$  for  $\div 10$ . When left floating, the LTC6907 pulls Pin 3 to mid-supply with a  $2.5M$  resistor. When Pin 3 is floating, care should be taken to reduce coupling from the OUT pin and its trace to Pin 3. Coupling can be reduced by increasing the physical space between traces or by shielding the DIV pin with grounded metal.

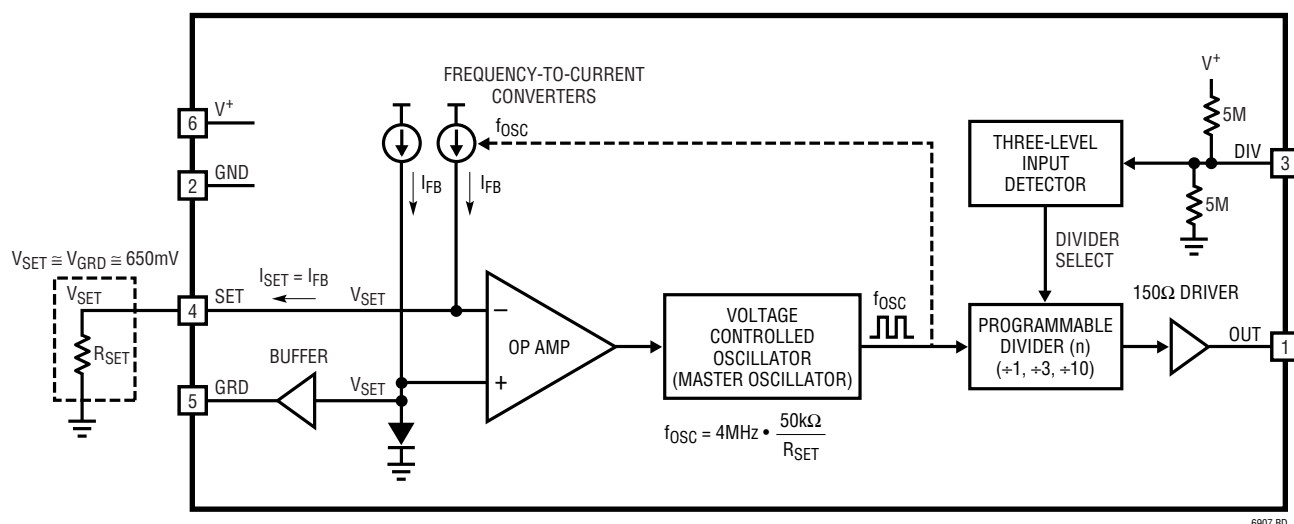
**SET (Pin 4):** Frequency Setting Resistor Input. Connect a resistor,  $R_{SET}$ , from this pin to GND to set the oscillator frequency. For best performance use a precision metal or thin-film resistor of 0.1% or better tolerance and  $50\text{ppm}/^\circ\text{C}$

or better temperature coefficient. For lower accuracy applications, an inexpensive 1% thick-film resistor may be used. Limit the capacitance in parallel with  $R_{SET}$  to less than  $10\text{pF}$  to reduce jitter and to ensure stability. The voltage on the SET pin is approximately  $650\text{mV}$  at  $25^\circ\text{C}$  and decreases with temperature by about  $-2.3\text{mV}/^\circ\text{C}$ .

**GRD (Pin 5):** Guard Signal. This pin can be used to reduce PC board leakage across the frequency setting resistor,  $R_{SET}$ . The GRD pin is held within a few millivolts of the SET pin and shunts leakage current away from the SET pin. To control leakage, connect a bare copper trace (a trace with no solder mask) to GRD and loop it around the SET pin and all PC board metal connected to SET. Careful attention to board layout and assembly can prevent leakage currents. The use of a guard ring provides additional shielding of leakage currents from the SET pin and is optional. If unused, the GRD pin should be left unconnected.

**$V^+$  (Pin 6):** Voltage Supply (3V to 3.6V). A  $0.1\mu\text{F}$  decoupling capacitor should be placed as close as possible to this pin for best performance.

## BLOCK DIAGRAM



6907 BD

# TEST CIRCUIT

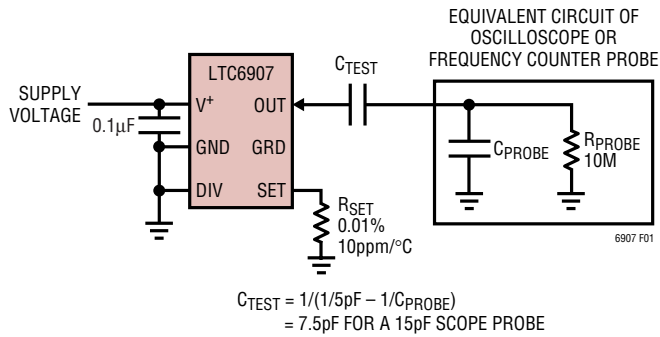


Figure 1. Test Circuit with 5pF Effective Load

# EQUIVALENT INPUT AND OUTPUT CIRCUITS

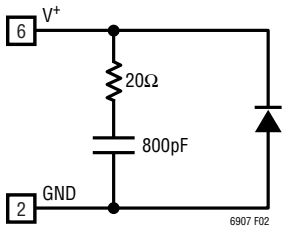


Figure 2. V+ Pin

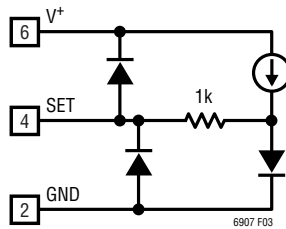


Figure 3. SET Pin

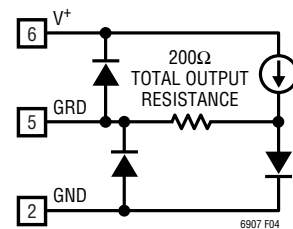


Figure 4. GRD Pin

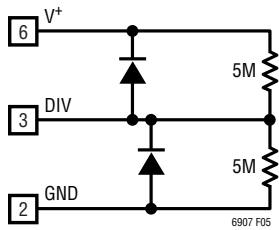


Figure 5. DIV Pin

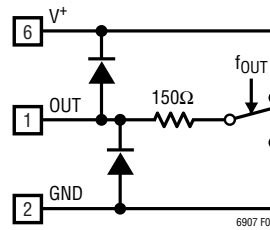


Figure 6. OUT Pin

## THEORY OF OPERATION

The LTC6907 is a precision, resistor programmable oscillator (see Block Diagram). It generates a square wave at the OUT pin with a period directly proportional to the value of an external resistor,  $R_{SET}$ . A feedback circuit measures and controls the oscillator frequency to achieve the highest possible accuracy. In equilibrium, this circuit ensures that the current in the SET pin,  $I_{SET}$ , is balanced by  $I_{FB}$ .  $I_{FB}$  is proportional to the master oscillator frequency, so we have the relationship:

$$I_{SET} = I_{FB} = V_{SET} \cdot f_{OSC} \cdot C_{OSC} \quad (1)$$

Where  $C_{OSC}$  is a precision internal capacitor:

$$C_{OSC} = 5\text{pF for the LTC6907}$$

Solving for the oscillator period:

$$t_{OSC} = \frac{1}{f_{OSC}} = \frac{V_{SET}}{I_{SET}} \cdot C_{OSC} \quad (2)$$

This is the fundamental equation for the LTC6907. It holds regardless of how the SET pin is driven. When a resistor,  $R_{SET}$ , is connected from the SET pin to ground, we have the relationship:

$$\frac{V_{SET}}{I_{SET}} = R_{SET} \quad (3)$$

so

$$t_{OSC} = \frac{1}{f_{OSC}} = R_{SET} \cdot C_{OSC} \quad (4)$$

The period and frequency are determined exclusively by  $R_{SET}$  and the precision internal capacitor. Importantly, the value of  $V_{SET}$  is immaterial, and the LTC6907 maintains its accuracy even though  $V_{SET}$  is not a precision reference voltage.

The digital dividers shown in the Block Diagram further divide the master oscillator frequency by 1, 3 or 10 producing:

$$f_{OUT} = \frac{f_{OSC}}{N} \quad (5)$$

and

$$t_{OUT} = N \cdot t_{OSC} \quad (6)$$

Table 1 gives specific frequency and period equations for the LTC6907. The Applications Information section gives further detail and discusses alternative ways of setting the LTC6907 output frequency.

**Table 1. Output Frequency Equations**

| PART NUMBER | FREQUENCY   | PERIOD   | DIVIDER RATIOS  |
|-------------|---|--|---|
| LTC6907     | $f_{OUT} = \frac{4\text{MHz}}{N} \cdot \left( \frac{50\text{k}}{R_{SET}} \right)$ | $t_{OUT} = N \cdot 250\text{ns} \cdot \left( \frac{R_{SET}}{50\text{k}} \right)$ | $N = \begin{cases} 10, \text{DIV Pin} = V^+ \\ 3, \text{DIV Pin} = \text{Open} \\ 1, \text{DIV Pin} = \text{GND} \end{cases}$ |

## APPLICATIONS INFORMATION

### Selecting R<sub>SET</sub> and the Divider Ratio

The LTC6907 contains a master oscillator followed by a digital divider (see Block Diagram). R<sub>SET</sub> determines the master oscillator frequency and the three level DIV pin sets the divider ratio, N. The range of frequencies accessible in each divider ratio overlap, as shown in Figure 7. This figure is derived from the equations in Table 1. **For any given frequency, power can be minimized by minimizing the master oscillator frequency. This implies maximizing R<sub>SET</sub> and using the lowest possible divider ratio, N.** The relationship between R<sub>SET</sub>, N and the unloaded power consumption is shown in Figure 8. The supply current decreases for large values of R<sub>SET</sub>. Refer to the section titled “Jitter and Divide Ratio.”

### Minimizing Power Consumption

The supply current of the LTC6907 has four current components:

- Constant (Independent V<sup>+</sup>, f<sub>OUT</sub> and C<sub>LOAD</sub>)
- Proportional to I<sub>SET</sub> (which is the current in R<sub>SET</sub>)
- Proportional to V<sup>+</sup>, f<sub>OUT</sub> and C<sub>LOAD</sub>
- Proportional to V<sup>+</sup> and R<sub>LOAD</sub>

An approximate expression for the total supply current is:

$$I^+ \cong 7\mu\text{A} + 6 \cdot I_{\text{SET}} + V^+ \cdot f_{\text{OUT}} \cdot (C_{\text{LOAD}} + 5\text{pF}) + \frac{V^+}{2 \cdot R_{\text{LOAD}}}$$

or, in terms of V<sub>SET</sub>,

$$I^+ \cong 7\mu\text{A} + 6 \cdot \frac{V_{\text{SET}}}{R_{\text{SET}}} + V^+ \cdot f_{\text{OUT}} \cdot (C_{\text{LOAD}} + 5\text{pF}) + \frac{V^+}{2 \cdot R_{\text{LOAD}}}$$

V<sub>SET</sub> is approximately 650mV at 25°C, but varies with temperature. This behavior is shown in the Typical Performance Characteristics.

Power can be minimized by maximizing R<sub>SET</sub>, minimizing the load on the OUT pin and operating at lower frequencies. Figure 9 shows total supply current vs frequency under typical conditions. Below 100kHz the load current is negligible for the 5pF load shown.

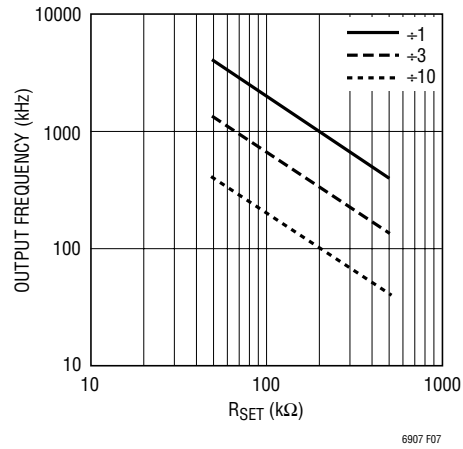


Figure 7. R<sub>SET</sub> vs Desired Output Frequency

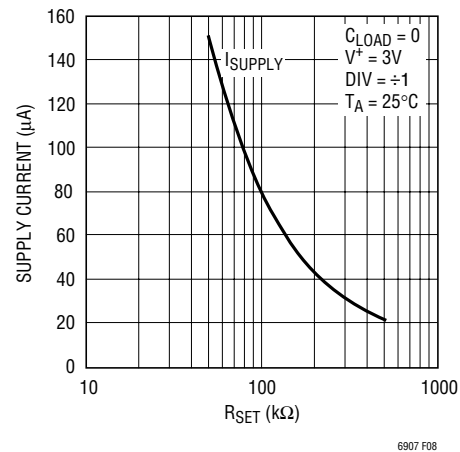


Figure 8. Unloaded Supply Current vs R<sub>SET</sub>

### Guarding Against PC Board Leakage

The LTC6907 uses relatively large resistance values for R<sub>SET</sub> to minimize power consumption. For R<sub>SET</sub> = 500k, the SET pin current is typically only 13μA. Thus, only 13nA leaking into the SET pin causes a 0.1% frequency error. Similarly, 500M of leakage resistance across R<sub>SET</sub> (1000 • R<sub>SET</sub>) causes the same 0.1% error.

Achieving the highest accuracy requires controlling potential leakage paths. PC board leakage is aggravated by both dirt and moisture. Effective cleaning is a good first step to minimizing leakage.

Another effective method for controlling leakage is to shunt the leakage current away from the sensitive node through a low impedance path. The LTC6907 provides a signal on the GRD pin for this purpose. Figure 10 shows a PC board



## APPLICATIONS INFORMATION

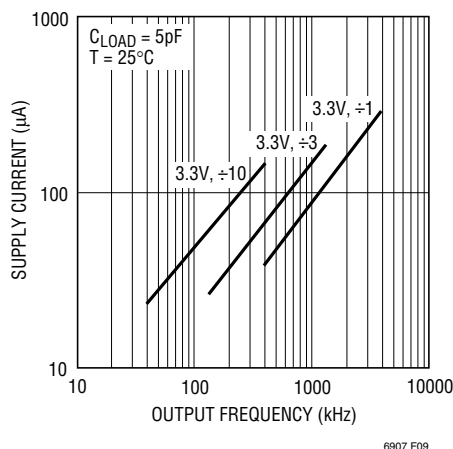


Figure 9. Supply Current vs Frequency over DIV Settings

layout that uses the GRD pin and a “guard ring” to absorb leakage currents. The guard ring surrounds the SET pin and the end of  $R_{SET}$  to which it is connected. The guard ring must have no solder mask covering it to be effective. The GRD pin voltage is held within a few millivolts of the SET pin voltage, so any leakage path between the SET pin and the guard ring generates no leakage current.

### Start-Up Time

When the LTC6907 is powered up, it holds the OUT pin low. After the master oscillator has settled, the OUT pin is enabled and the first output cycle is accurate. The time from power-up to the first output transition is given approximately by:

$$t_{START} \cong 64 \cdot t_{OSC} + 100\mu s$$

The digital divider ratio, N, does not affect the start-up time.

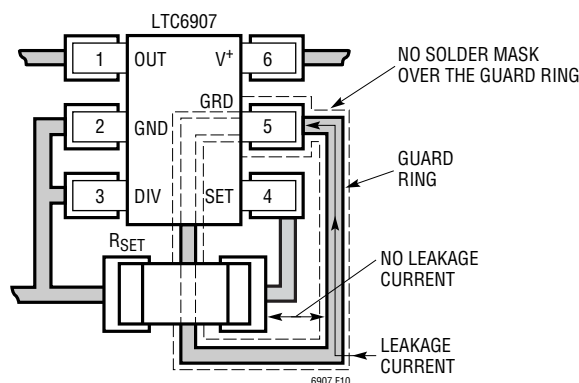


Figure 10. PC Board Layout with Guard Ring

### Power Supply Rejection

The LTC6907 has a very low supply voltage coefficient, meaning that the output frequency is nearly insensitive to the DC power supply voltage. In most cases, this error term can be neglected.

High frequency noise on the power supply ( $V^+$ ) pin has the potential to interfere with the LTC6907’s master oscillator. Periodic noise, such as that generated by a switching power supply, can shift the output frequency or increase jitter. The risk increases when the fundamental frequency or harmonics of the noise fall near the master oscillator frequency. It is relatively easy to filter the LTC6907 power supply because of the very low supply current. For example, an RC filter with  $R = 160\Omega$  and  $C = 10\mu F$  provides a 100Hz lowpass filter while dropping the supply voltage only about 10mV.

### Operating the LTC6907 with Supplies Higher Than 3.6V

The LTC6907 may also be used with supply voltages between 3.6V and 5.5V under very specific conditions. To ensure proper functioning above 3.6V, a filter circuit must be attached to the power supply and located within 1cm of the device. A simple RC filter consisting of a  $100\Omega$  resistor and  $1\mu F$  capacitor (Figure 11) will ensure that supply resonance at higher supply voltages does not induce unpredictable oscillator behavior. Accuracy under higher supplies may be estimated from the typical Frequency vs Supply Voltage curves in the Typical Performance Characteristics section of this data sheet.

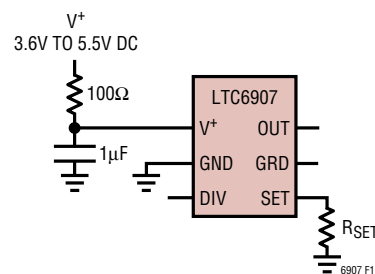


Figure 11. Using the LTC6907 at Higher Supply Voltages

## APPLICATIONS INFORMATION

### Alternative Methods for Setting the Output Frequency

Any means of sinking current from the SET pin will control the output frequency of the LTC6907. Equation 2 (repeated below) gives the fundamental relationship between frequency and the SET pin voltage and current:

$$t_{OSC} = \frac{1}{f_{OSC}} = \frac{V_{SET}}{I_{SET}} \cdot 5pF \quad (2)$$

This equation shows that the LTC6907 converts conductance ( $I_{SET}/V_{SET}$ ) to frequency or, equivalently, converts resistance ( $R_{SET} = V_{SET}/I_{SET}$ ) to period.

$V_{SET}$  is the voltage across an internal diode, and as such it is given approximately by:

$$\begin{aligned} V_{SET} &\cong V_T \cdot \text{Log}_e \frac{I_{SET}}{I_S} \\ &\cong 25.9mV \cdot \text{Log}_e \left( \frac{I_{SET}}{82 \cdot 10^{-18} A} \right) - 2.3mV/^{\circ}C \end{aligned}$$

where

$$V_T = kT/q = 25.9mV \text{ at } T = 300^{\circ}K (27^{\circ}C)$$

$$I_S \cong 82 \cdot 10^{-18} \text{ Amps}$$

( $I_S$  is also temperature dependent)

$V_{SET}$  varies with temperature and the SET pin current. The response of  $V_{SET}$  to temperature is shown in the Typical Performance graphs.  $V_{SET}$  changes approximately  $-2.3mV/^{\circ}C$ . At room temperature  $V_{SET}$  increases 18mV/octave or 60mV/decade of increase in  $I_{SET}$ .

If the SET pin is driven with a current source generating  $I_{SET}$ , the oscillator output frequency will be:

$$f_{OSC} \cong \frac{\frac{I_{SET}}{5pF}}{25.9mV \cdot \text{Log}_e \left( \frac{I_{SET}}{82 \cdot 10^{-18} A} \right) - 2.3mV/^{\circ}C}$$

Figure 12 and Figure 13 show a current controlled oscillator and a voltage controlled oscillator. These circuits are not highly accurate if used alone, but can be very useful if they are enclosed in an overall feedback circuit such as a phase-locked loop.

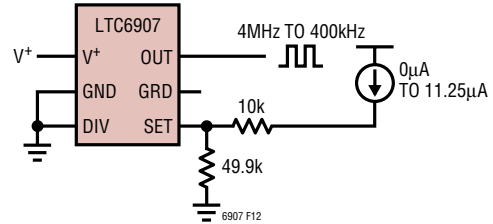


Figure 12. Current Controlled Oscillator

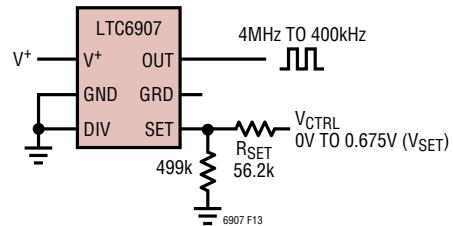


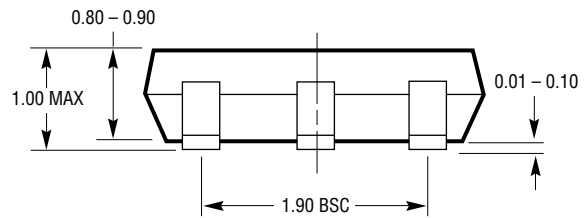
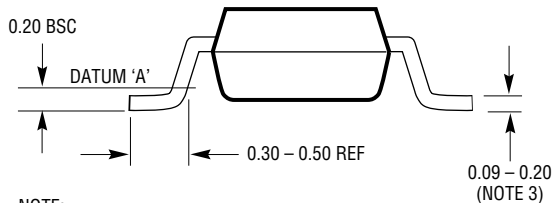
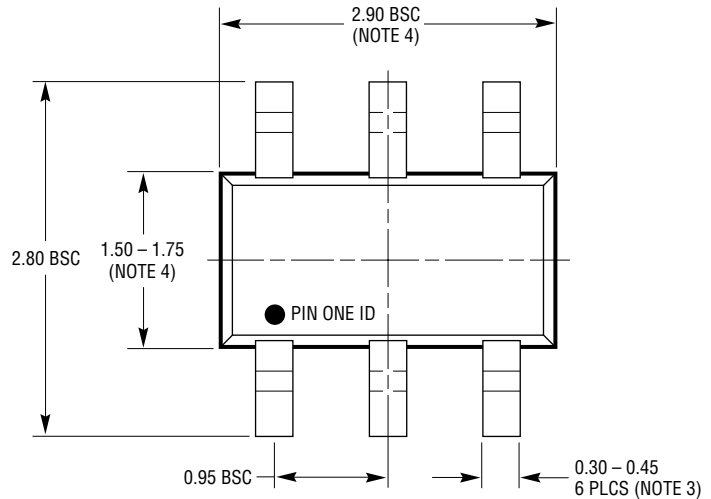
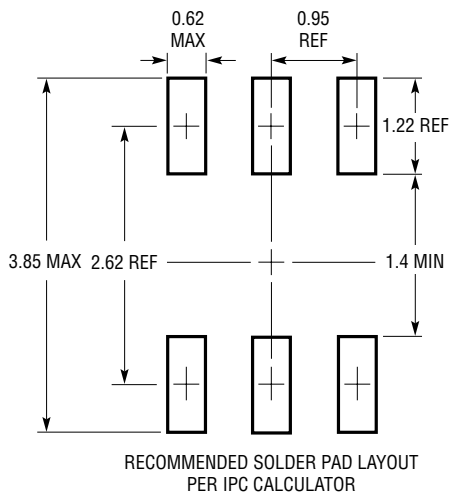
Figure 13. Voltage Controlled Oscillator

### Jitter and Divide Ratio

At a given output frequency, a higher master oscillator frequency and a higher divide ratio will result in lower jitter and higher power supply dissipation. Indeterminate jitter percentage will decrease by a factor of slightly less than the square root of the divider ratio, while determinate jitter will not be similarly attenuated. Please consult the specification tables for typical jitter at various divider ratios.

# PACKAGE DESCRIPTION

**S6 Package**  
**6-Lead Plastic TSOT-23**  
 (Reference LTC DWG # 05-08-1636)

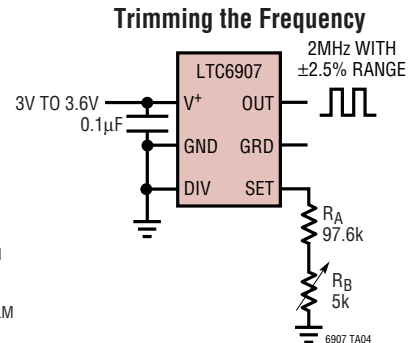
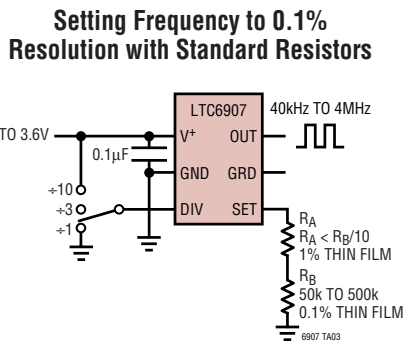
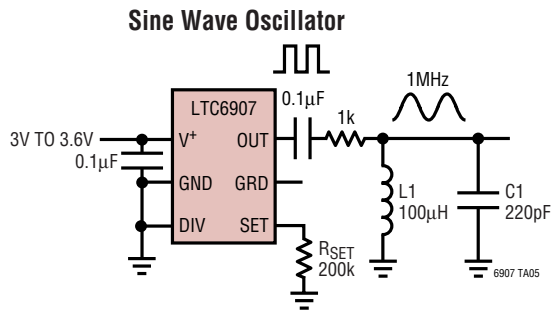


- NOTE:  
 1. DIMENSIONS ARE IN MILLIMETERS  
 2. DRAWING NOT TO SCALE  
 3. DIMENSIONS ARE INCLUSIVE OF PLATING

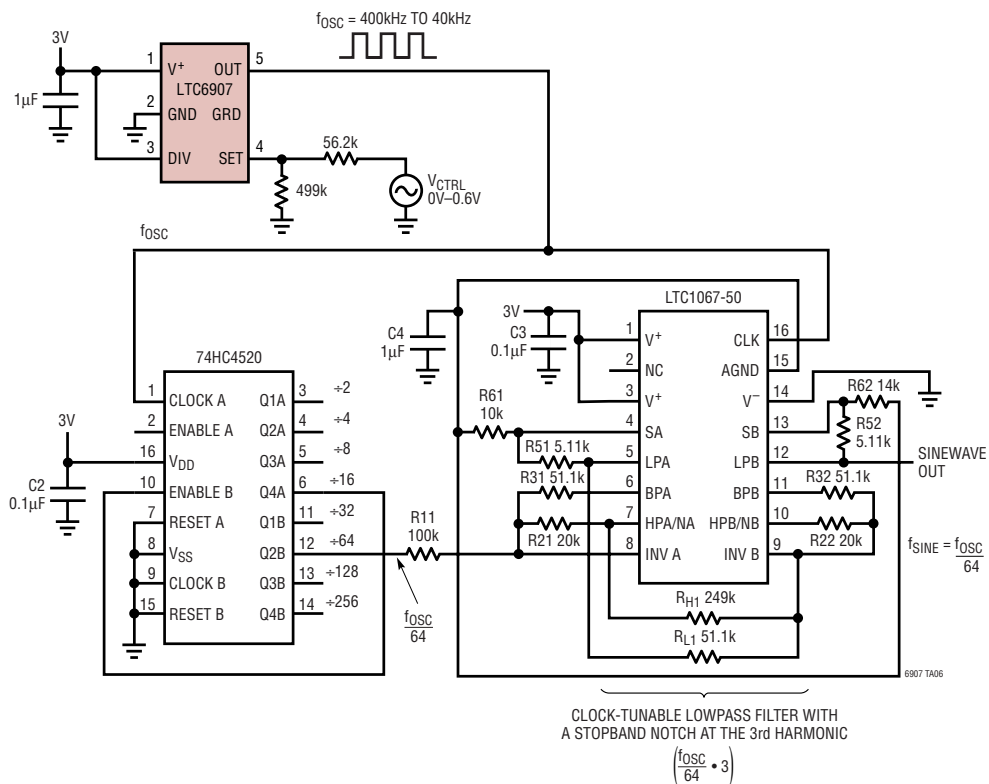
4. DIMENSIONS ARE EXCLUSIVE OF MOLD FLASH AND METAL BURR  
 5. MOLD FLASH SHALL NOT EXCEED 0.254mm  
 6. JEDEC PACKAGE REFERENCE IS MO-193

S6 TSOT-23 0302

## TYPICAL APPLICATIONS



### Low Power 62.5kHz to 6.25kHz Sine Wave Generator ( $I_Q < 1.5\text{mA}$ )



## RELATED PARTS

| PART NUMBER     | DESCRIPTION   | COMMENTS   |
|-----------------|---|--|
| LTC1799         | 1kHz to 33MHz ThinSOT Oscillator, Resistor Set            | Wide Frequency Range   |
| LTC6900         | 1kHz to 20MHz ThinSOT Oscillator, Resistor Set            | Low Power, Wide Frequency Range                              |
| LTC6902         | Multiphase Oscillator with Spread Spectrum Modulation     | 2-, 3- or 4-Phase Outputs                                    |
| LTC6903/LTC6904 | 1kHz to 68MHz Serial Port Programmable Oscillator         | 0.1% Frequency Resolution, I <sup>2</sup> C or SPI Interface |
| LTC6905         | 17MHz to 170MHz ThinSOT Oscillator, Resistor Set          | High Frequency, 100µsec Startup, 7ps RMS Jitter              |
| LTC6905-XXX     | Fixed Frequency ThinSOT Oscillator Family, up to 133MHz   | No Trim Components Required                                  |
| LTC6906         | Micropower 10kHz to 1MHz ThinSOT Oscillator, Resistor Set | 12µA Supply Current of 100kHz, 0.65% Frequency Accuracy      |

69071a