

水銀開關產品規格 MERCURY SWITCH SPECIFICATION

型名 Type No. BSW-9005-9

概要：Feature

BSW-9005-9 是小型單接點水銀開關，有高功率，高速，高阻抗之特性。
The BSW-9005-9 is a small single-contact mercury wetted switch featured with high power, high speed and high insulation resistance.

用途：Application

■汽車電子裝置	Automotive electronic devices
■轉速裝置	Rotation and speed Monitoring
■安全系統之門窗開關	Door and Window Contacts for Security System
■通訊設備	Communication equipment
■量測儀器	Measurement equipment

電氣特性：Electrical Characteristics

接點形式	Contact form	Form A
接點材質	Contact material	Mercury Wetted
開閉功率	Switching power	(Max.) 50 VA
開閉電流	Switching Current	(Max.) 1.0 Amp.
開閉電壓	Switching Voltage	(Max.) 1000 VDC
接點耐壓	Breakdown Voltage	(Min.) 1500 VDC
接觸阻抗	Initial Contact Resistance	(Max.) 60 mΩ
絕緣阻抗	Insulation resistance	(Min.) 10 ¹³ Ω
接點電容	Contact capacitance	(Max.) 0.4 pF
感動值	Pull in Range	40 – 60 AT
開放值	Drop out	(Min.) 15 AT

Notes: (1) 在開閉功率(VA)項目中，高 AT 值產品會超過額定值(50 VA)，低 AT 值者會低於額定值。
因此特定負載之壽命試驗必需再確認。

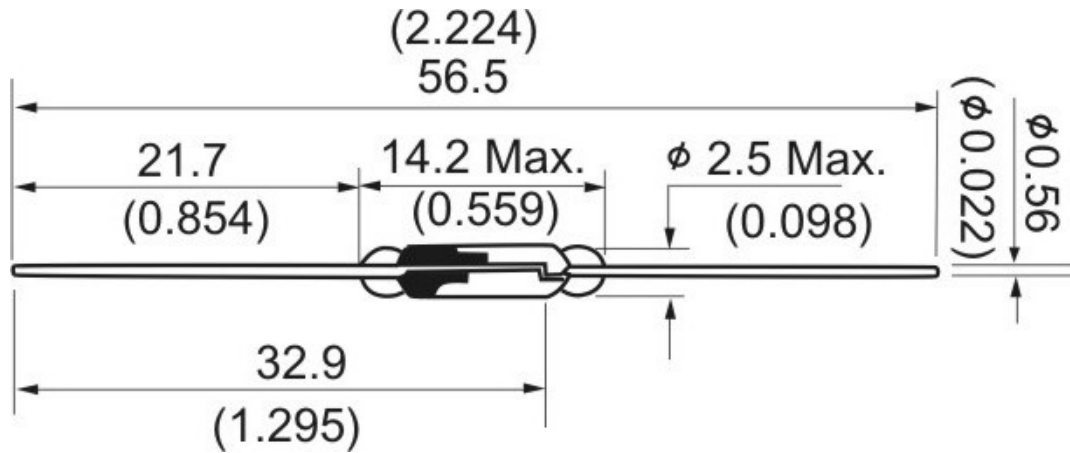
The specification for VA Rating may be exceeded for less sensitive(high AT) switches, and should be decreased for very Sensitive(low AT)Switches. Specific life testing for a particular load will be run upon request.

(2) 接點耐壓是以離子放射裝置測試接點間之漏電流低於 100 mA 而測得。

Breakdown voltage is measured in the presence of a radioactive ionizing source
With leakage current limited to 100 microamperes.

BSW – 9005-9 MERCURY SWITCH

外型圖 : Outer Dimension Unit: mm (Inch)



物理特性 : Physical Characteristics

使用溫度範圍	Operating Temperature	-10°C to + 60°C
保存溫度範圍	Storage Temperature	-30°C to + 80°C
耐振動性	Vibration (0 – 55 Hz , 1.5mm)	20g
耐衝擊性	Shock Resistance (11ms.½ Sine wave)	30g
諧振頻率	Frequency (TYP.)	0.3 KHZ