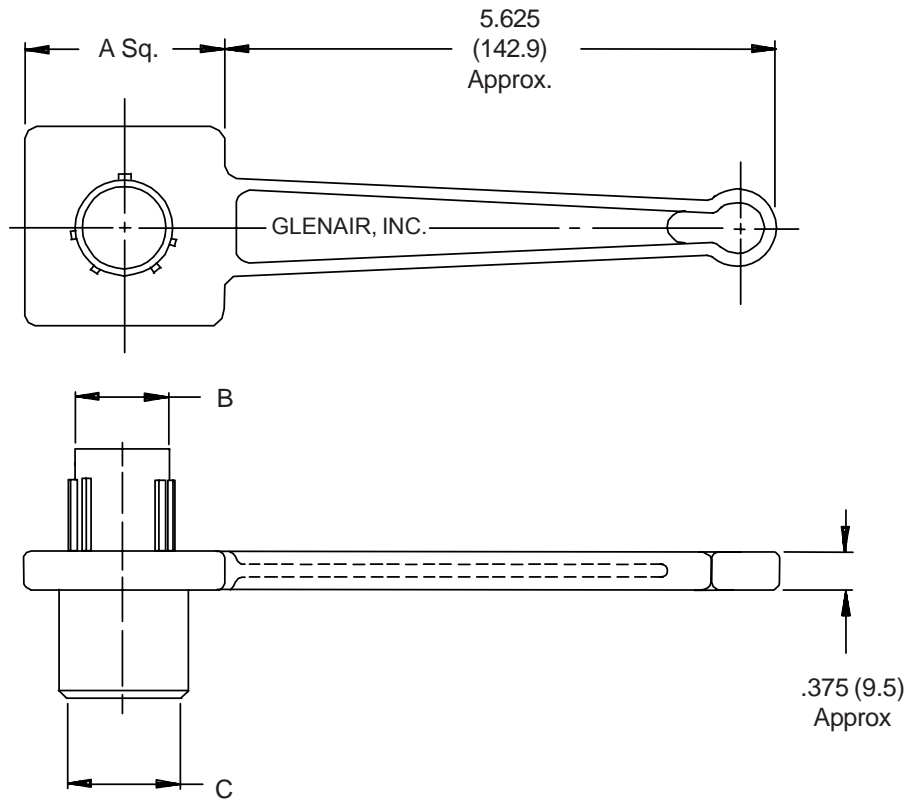


MS3482-18-6

Basic Part No.

Polarization Position
(1, 2, 3, 4, 5, 6)

Dash No.


TABLE I

| Shell Size | A Dim. $\pm .060$ (1.5) | B Dia. | | C Dia. | |
|------------|----------------------------|------------------|--------------|------------|--------|
| | | +0.001 -0.008 | (.1) (.2) | $\pm .003$ | (.1) |
| 8 | 1.250 (31.8) | .381 | (9.7) | .389 | (9.9) |
| 10 | 1.250 (31.8) | .506 | (12.9) | .514 | (13.1) |
| 14 | 2.000 (50.8) | .756 | (19.2) | .764 | (19.4) |
| 16 | 2.000 (50.8) | .882 | (22.4) | .890 | (22.6) |
| 18 | 2.000 (50.8) | 1.006 | (25.6) | 1.014 | (25.8) |

1. For complete dimensions see applicable Military Specification.
2. Metric dimensions (mm) are indicated in parentheses.
3. Material: Aluminum alloy with electroless nickel finish.