

MS3105 Dummy Storage Receptacle

Mating Connector
MIL-DTL-5015

MS3105-16

Basic Part No. _____
Dash No. _____

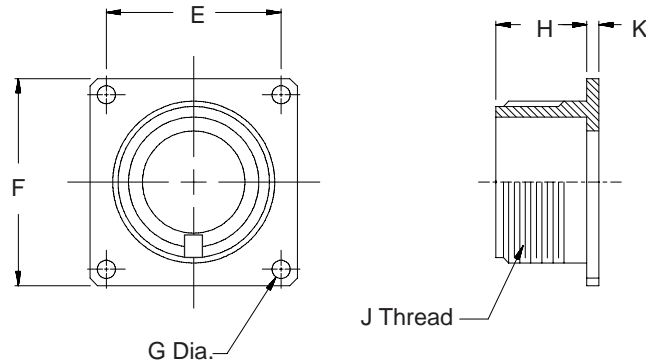


TABLE I

| Shell Size | E ±.005 (.1) | F Max | G Max | H Max | J Thread Class 2A | K Max |
|------------|--------------------|--------------|------------|-------------|----------------------|------------|
| 8S | .594 (15.1) | .906 (23.0) | .130 (3.3) | .593 (15.1) | 1/2 -28 UNEF | .156 (4.0) |
| 10S | .719 (18.3) | 1.031 (26.2) | .130 (3.3) | .593 (15.1) | 5/8 -24 UNEF | .156 (4.0) |
| 12S | .812 (20.6) | 1.125 (28.6) | .130 (3.3) | .593 (15.1) | 3/4 -20 UNEF | .156 (4.0) |
| 12 | .812 (20.6) | 1.125 (28.6) | .130 (3.3) | .781 (19.8) | 3/4 -20 UNEF | .156 (4.0) |
| 14S | .906 (23.0) | 1.219 (31.0) | .130 (3.3) | .593 (15.1) | 7/8 -20 UNEF | .156 (4.0) |
| 14 | .906 (23.0) | 1.219 (31.0) | .130 (3.3) | .781 (19.8) | 7/8 -20 UNEF | .156 (4.0) |
| 16S | .969 (24.6) | 1.312 (33.3) | .130 (3.3) | .593 (15.1) | 1 -20 UNEF | .156 (4.0) |
| 16 | .969 (24.6) | 1.312 (33.3) | .130 (3.3) | .781 (19.8) | 1 -20 UNEF | .156 (4.0) |
| 18 | 1.062 (27.0) | 1.406 (35.7) | .130 (3.3) | .781 (19.8) | 1 1/8 -18 UNEF | .203 (5.2) |
| 20 | 1.156 (29.4) | 1.531 (38.9) | .130 (3.3) | .781 (19.8) | 1 1/4 -18 UNEF | .203 (5.2) |
| 22 | 1.250 (31.8) | 1.656 (42.1) | .130 (3.3) | .781 (19.8) | 1 3/8 -18 UNEF | .203 (5.2) |
| 24 | 1.375 (34.9) | 1.781 (45.2) | .157 (4.0) | .843 (21.4) | 1 1/2 -18 UNEF | .203 (5.2) |
| 28 | 1.562 (39.7) | 2.031 (51.6) | .157 (4.0) | .843 (21.4) | 1 3/4 -18 UNS | .203 (5.2) |
| 32 | 1.750 (44.5) | 2.281 (57.9) | .183 (4.6) | .906 (23.0) | 2 -18 UNS | .359 (9.1) |
| 36 | 1.938 (49.2) | 2.531 (64.3) | .183 (4.6) | .906 (23.0) | 2 1/4 -16 UN | .359 (9.1) |
| 40 | 2.188 (55.6) | 2.781 (70.6) | .183 (4.6) | .906 (23.0) | 2 1/2 -16 UN | .359 (9.1) |
| 44 | 2.375 (60.3) | 3.031 (77.0) | .183 (4.6) | .906 (23.0) | 2 3/4 -16 UN | .359 (9.1) |
| 48 | 2.625 (66.7) | 3.281 (83.3) | .183 (4.6) | .906 (23.0) | 3 -16 UN | .359 (9.1) |

1. For complete dimensions see applicable Military Specification.
2. Metric dimensions (mm) are indicated in parentheses.