

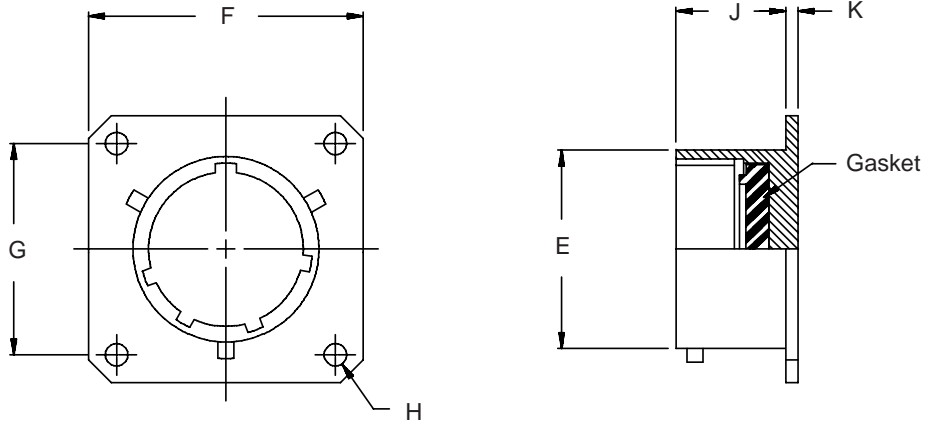
# MS3115 Dummy Stowage Receptacle



Dummy  
Stowage  
Receptacles

Mating Connector  
MIL-DTL-26482

MS3115-16 L  
 Basic Part No. \_\_\_\_\_  
 Dash No. \_\_\_\_\_  
 Finish  
 A = Hard Anodize  
 L = Electroless Nickel  
 W = Cadmium Olive Drab over  
 Electroless Nickel



Shell Size	E Dia ±.003 (.1)	F Max	G Dim	H Dia ±.005 (0.1)	J ±.016 (.4)	K ±.016 (.4)
8	.471 (12.0)	.828 (21.0)	.594 (15.1)	.120 (3.0)	.478 (12.1)	.062 (1.6)
10	.588 (14.9)	.954 (24.2)	.719 (18.3)	.120 (3.0)	.478 (12.1)	.062 (1.6)
12	.748 (19.0)	1.047 (26.6)	.812 (20.6)	.120 (3.0)	.478 (12.1)	.062 (1.6)
14	.873 (22.2)	1.141 (29.0)	.906 (23.0)	.120 (3.0)	.478 (12.1)	.062 (1.6)
16	.998 (25.3)	1.234 (31.3)	.969 (24.6)	.120 (3.0)	.478 (12.1)	.062 (1.6)
18	1.123 (28.5)	1.328 (33.7)	1.062 (27.0)	.120 (3.0)	.478 (12.1)	.062 (1.6)
20	1.248 (31.7)	1.453 (36.9)	1.156 (29.4)	.120 (3.0)	.572 (14.5)	.094 (2.4)
22	1.373 (34.9)	1.578 (40.1)	1.250 (31.8)	.120 (3.0)	.572 (14.5)	.094 (2.4)
24	1.498 (38.0)	1.703 (43.3)	1.375 (34.9)	.147 (3.7)	.605 (15.4)	.094 (2.4)

1. For complete dimensions see applicable Military Specification.
2. Metric dimensions (mm) are indicated in parentheses.