



## AS85049/60-1 and MS3158 Shrink Boot Adapters

**Glenair Connector  
Designator A**

**MIL-DTL-5015 Series 3400,  
MIL-DTL-26482 Series 2,  
AS81703 Series 3,  
MIL-DTL-83723 Series I &  
III, 40M39569, DEF 5326-3,  
EN 2997, EN 3646,  
ESC 10, ESC 11, LN 29504,  
NFC93422 Series HE302,  
PAN 6432-1, PAN 6432-2,  
PATT 602**

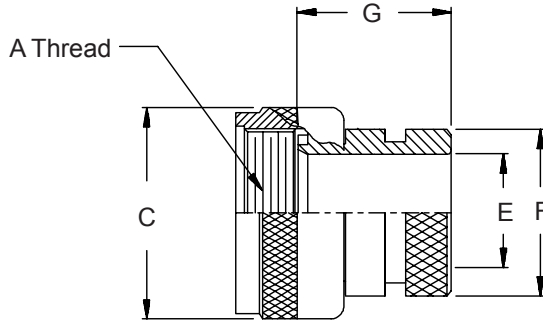
**M85049/60-1 W 22**

Basic Part No. \_\_\_\_\_ Shell Size \_\_\_\_\_  
Finish \_\_\_\_\_  
A = Anodize Black  
N = Electroless Nickel  
W = 1,000 Hr. Cadmium Olive Drab

**MS3158-22 C**

Basic Part No. \_\_\_\_\_ Shell Size \_\_\_\_\_  
Finish \_\_\_\_\_  
A = 1,000 Hr. Cadmium Olive Drab  
C = Cadmium Olive Drab  
N = Electroless Nickel

**Superceded Part Number**



1. For complete dimensions see applicable Military Specification.
2. Metric dimensions (mm) are indicated in parentheses.

**TABLE I**

Shell Size	A Thread Class 2B	C Dia Max		E Min Dia	F Dia		G Max
		+ .000 -.045	(0.0) (1.14)		+ .000 -.020	(0.0) (0.5)	
3	.562 - 24 UNEF	.67	(17.0)	.250 (6.4)	.533 (13.5)	.832 (21.1)	
8	.500 - 20 UNF	.62	(15.7)	.250 (6.4)	.533 (13.5)	.832 (21.1)	
10	.625 - 24 UNEF	.74	(18.8)	.355 (9.0)	.605 (15.4)	.832 (21.1)	
12	.750 - 20 UNEF	.86	(21.8)	.491 (12.5)	.774 (19.7)	.832 (21.1)	
14	.875 - 20 UNEF	.98	(24.9)	.565 (14.4)	.838 (21.3)	.832 (21.1)	
16	1.000 - 20 UNEF	1.11	(28.2)	.690 (17.5)	.963 (24.5)	.832 (21.1)	
18	1.062 - 18 UNEF	1.22	(31.0)	.769 (19.5)	1.042 (26.5)	.832 (21.1)	
20	1.188 - 18 UNEF	1.35	(34.3)	.894 (22.7)	1.217 (30.9)	.832 (21.1)	
22	1.313 - 18 UNEF	1.47	(37.3)	1.019 (25.9)	1.355 (34.4)	.832 (21.1)	
24	1.438 - 18 UNEF	1.59	(40.4)	1.134 (28.8)	1.443 (36.7)	.832 (21.1)	
28	1.750 - 18 UNS	1.97	(50.0)	1.369 (34.8)	1.709 (43.4)	.994 (25.3)	
32	2.000 - 18 UNS	2.22	(56.4)	1.615 (41.0)	1.919 (48.7)	.994 (25.3)	
36	2.250 - 16 UN	2.47	(62.7)	1.830 (46.5)	2.169 (55.1)	.994 (25.3)	
40	2.500 - 16 UN	2.72	(69.1)	2.045 (51.9)	2.402 (61.0)	.994 (25.3)	
44	2.750 - 16 UN	2.97	(75.4)	2.300 (58.4)	2.657 (67.5)	.994 (25.3)	
48	3.000 - 16 UN	3.22	(81.8)	2.550 (64.8)	2.907 (73.8)	.994 (25.3)	
61	1.500 - 18 UNEF	1.65	(41.9)	1.174 (29.8)	1.529 (38.8)	.832 (21.1)	