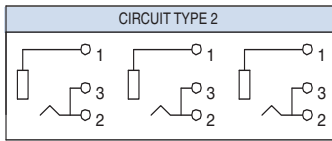
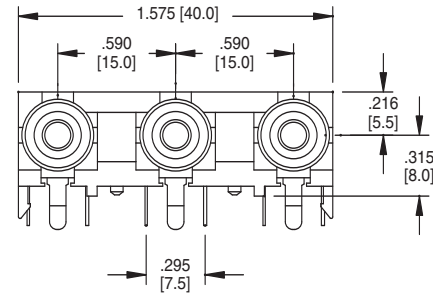
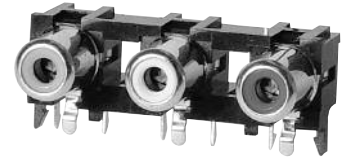
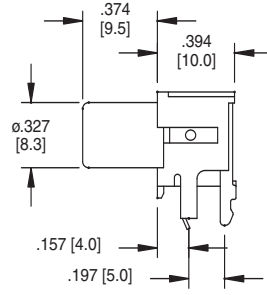


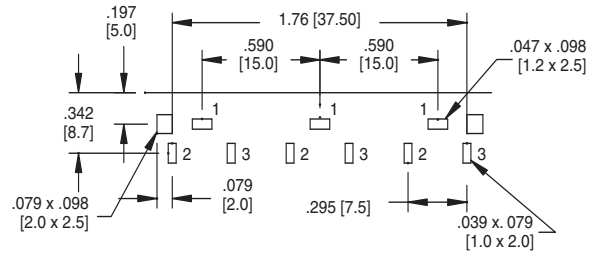
RCA-7



CIRCUIT

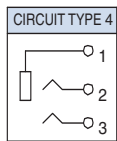
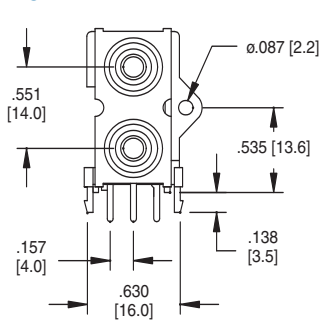


RCA-7-2-Y/W/R

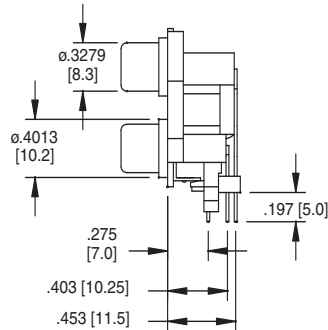


Recommended PCB Layout (Bottom View)

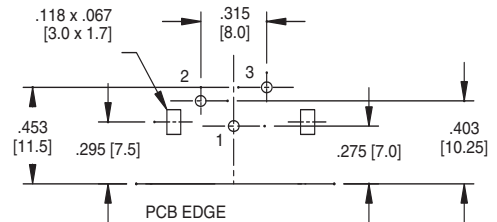
RCA-8



CIRCUIT

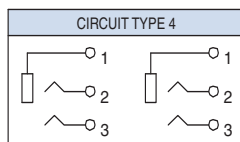
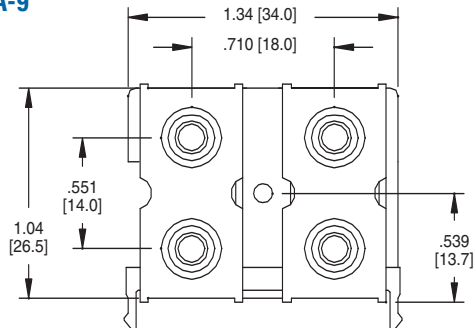


RCA-8-4-W/Y

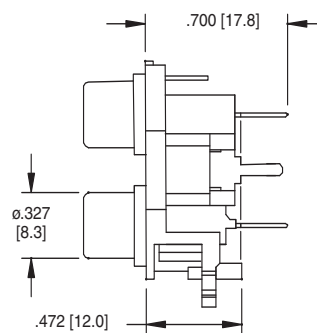


Recommended PCB Layout (Bottom View)

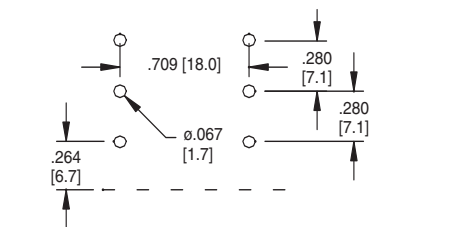
RCA-9



CIRCUIT



RCA-9-4-Y/R



Recommended PCB Layout (Bottom View)

