

P250R/P251R

Sealed Industrial Pressure Sensors with Internal Regulator



Description

The P250R/P251R sealed industrial pressure sensors with internal regulator are based upon Kavlico's oil-filled piezo-resistive (PRT) sensing technology with the latest state-of-the-art ASIC. Rugged by design, these highly reliable sensors have a 304L welded stainless steel housing and isolation diaphragm. They are well suited for a broad range of media including air, fluids, and gases that are stainless steel compatible.

The sensors may be specified with a 0.5 to 4.5 Vdc, 0 to 5 Vdc, or 0 to 10 Vdc regulated output to accommodate the end-use requirement.

The P250R/P251R package design has a wide variety of both electrical and process connector options to suit application-specific requirements. The sensors have an extremely high overpressure capability.

The P250R/P251R sensors deliver a cost-effective solution without compromising on performance or reliability.

Features

- Regulated Output
- Wet & Dry Media
- Excellent Long Term Stability
- One Million Cycle Life Expectancy
- Welded Stainless Steel Construction
- High Overpressure Capability
- Temperature Compensated
- Superior EMI/RFI Rejection



Applications

- Refrigerant Control & Recovery
- Pumps & Compressors
- Process Controls
- Water Management
- Autoclaves
- Hydraulic Systems
- Test & Monitoring Equipment

Standard Full Scale Pressure Ranges

Low Pressure:

P250R: 0-6, 0-7, 0-10, 0-16, 0-25, 0-40 and 0-50 BAR

P251R: 0-100, 0-150, 0-200, 0-250, 0-300, 0-500 and 0-600 PSI

High Pressure:

P250R: 0-100, 0-200, 0-250 and 0-400 BAR

P251R: 0-1,500, 0-3,000, 4,000 and 0-5,000 PSI

Technical Specifications

Note: Performance Specifications with $5v \pm 0.002$ Vdc supply at 25°C

Pressure Ranges:	0-100 through 0-5,000 PSI Absolute or Sealed Gage 0-6 through 0-400 BAR	Operating Temperature:	-15°C to +125°C
Proof Pressure:	2x Full Scale Output (FSO)	Storage Temperature:	-40°C to +125°C
Burst Pressure:	258 BAR for Low BAR Pressure Ranges 1,034 BAR for High BAR Pressure Ranges 3,750 PSI for Low PSI Pressure Ranges 15,000 PSI for High PSI Pressure Ranges	Service Life:	10 Million Full Scale Pressure Cycles
Supply Voltage:	9-32 Vdc	Vibration:	10G Sinusoidal from 10 to 2000 Hz
Supply Current:	5mA Max.	Shock:	75 G's ½ Sine Wave
Output Voltage:	0.5 to 4.5 Vdc, 0 to 5 Vdc, or 0 to 10 Vdc	Response Time:	<2mS
Linearity Error:	±0.5% of Span	Housing Material:	304L Stainless Steel (Main Body)
Total Error Band (TEB):	±2% of Span (-15°C to +85°C)	Weight:	80 grams Max.
Output Impedance:	<100 Ω	Electrical Termination:	See "How to Order"
		Pressure Connection:	See "How to Order"
		Recommended Interface	
		Impedance:	Min. Load 25 k Ω
		Over-Voltage Protection:	36V
		Reverse Polarity Protection:	-32V



P250R/P251R

Sealed Industrial Pressure Sensors with Internal Regulator

How to Order

P250R		P251R	
Pressure Ranges		Pressure Ranges	
6	0-6 BAR	100	0-100 PSI
7	0-7 BAR	150	0-150 PSI
10	0-10 BAR	200	0-200 PSI
16	0-16 BAR	250	0-250 PSI
25	0-25 BAR	300	0-300 PSI
40	0-40 BAR	500	0-500 PSI
50	0-50 BAR	600	0-600 PSI
100	0-100 BAR	1500	0-1,500 PSI
200	0-200 BAR	3000	0-3,000 PSI
250	0-250 BAR	4000	0-4,000 PSI
400	0-400 BAR	5000	0-5,000 PSI

Reference	
A	Absolute
S	Gage

Output Voltage	
1	0.5 to 4.5 Vdc
2	0 to 5 Vdc
3	0 to 10 Vdc

External O-Ring (Supplied for Straight Thread Only)	
B	Nitrile Butadiene (NBR)
D	Fluorocarbon (FPM)
X	None

Pressure Connection (Port)	
1	Stud End 1/4" -18 NPT
2	Port 7/16-20 UNF-2A with Schrader Deflator (1/4" SAE Female Flare)
3	Stud End 7/16-20 UNF-2A (SAE J1926-2)
4	Stud End 1/8-27 NPT
5	Port G 1/4"
6	Stud End G 1/4"
7	Stud End M10x1
8	Stud End M12x1.5
9	Stud End M14x1.5
10	Port M10x1.25 with Schrader Deflator

Built-in Electrical Connector	
A	Packard Connector with Mating Connector and 35cm Leads
C	Packard Connector
D	M12 with Mating Connector, Straight
E	M12 with Mating Connector, Right Angle
F	M12 Connector Kit, Right Angle, w/o Wires
G	M12 Connector Kit, Straight, w/ Wires
H	M12 without Mating Connector
J	9.4mm, DIN EN 175301-803 Micro-mini with Mating Connector
K	9.4mm, DIN EN 175301-803 Micro-mini without Mating Connector
L	18mm, DIN EN 175301-803 w/ Mating Connector
M	18mm, DIN EN 175301-803
N	2.5 Meter Cable Connector Assy, 3 Lead Wires, 18 AWG

P250R 400 A 1 B 1 A

Example: P250R-400A-1B1A

Contact Kavlico for accuracy options, custom packaging, alternative pressure ranges, pressure connections or other OEM or application specific requirements.

Although possible applications for our product(s) and other statements are presented herein, Kavlico is not expert in the user's technical field and therefore does not warrant the suitability of its product(s) for the user's applications. Therefore, Kavlico will not accept any liability and provides no guarantee, responsibility, or warranties of any kind concerning the suitability or related to the use of its product(s) for the user's applications.

Additionally, Kavlico will not be liable and provides no guarantee, responsibility, or warranties of any kind concerning the suitability or related to the use of its product(s) for the life support market or to be used in life support systems, safety or emergency systems, critical care applications, human implantation, aviation, nuclear facilities or systems or any other applications where product failure could lead to injury to persons, loss of life, harm to the environment, or catastrophic property damage.

Kavlico warrants that its products will be free from defective materials and workmanship for a period of one (1) year from date of delivery to the original purchaser and that its products will conform to Kavlico's specifications or standards. Any product found to be defective will be replaced or repaired at the sole option of Kavlico.

Note: Kavlico reserves the right to change its specifications at any time without notice. Kavlico is not an expert in the customer's technical field and therefore does not warrant the suitability of its product for the application selected by the customer.

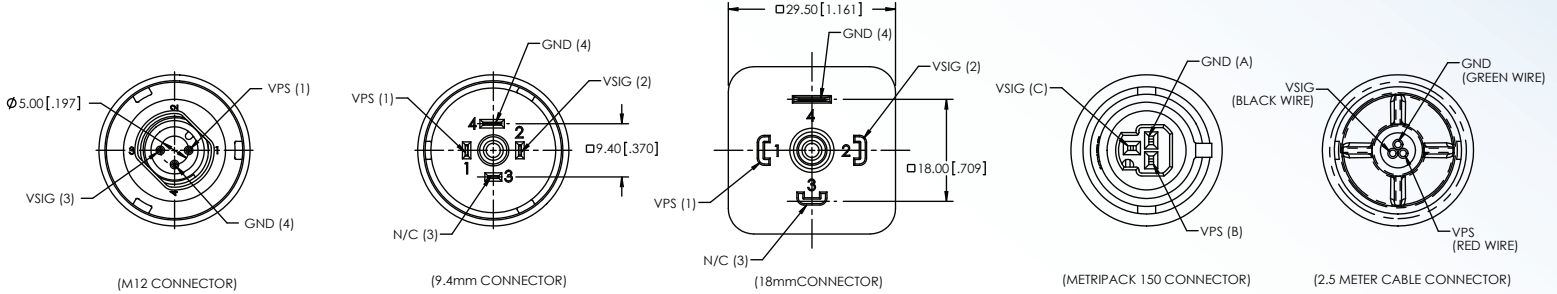
Kavlico products are manufactured or covered by one or more of the following patents: 4,924,702; 4,967,071; 4,974,117; 5,020,377; 5,349,867; 5,415,036; 5,528,930; 5,540,086; 5,553,502; 5,576,251; 5,578,843; 5,656,780; 5,824,889; 5,923,952; 5,929,498; 5,929,754; 6,008,113; 6,041,658; 6,148,674; 6,178,829; 6,211,558 B1; 6,279,407; 6,297,733; 6,311,566; 6,404,184 B1; 6,495,388 B1; 6,505,398 B2; 6,564,642 B1; 6,581,468 B2; 6,583,631 B2; 6,584,853 B2; 6,605,904 B1; 6,683,464 B2; 7,334,489; 7,019,514; 7,162,926; 5,471,884; 6,145,383; 7,028,551; 7,028,552; 5,758,865; 6,911,819; 7,254,897; 7,251,997; 5,966,617; 6,849,807; 7,353,608; with other U.S. and foreign patents pending.



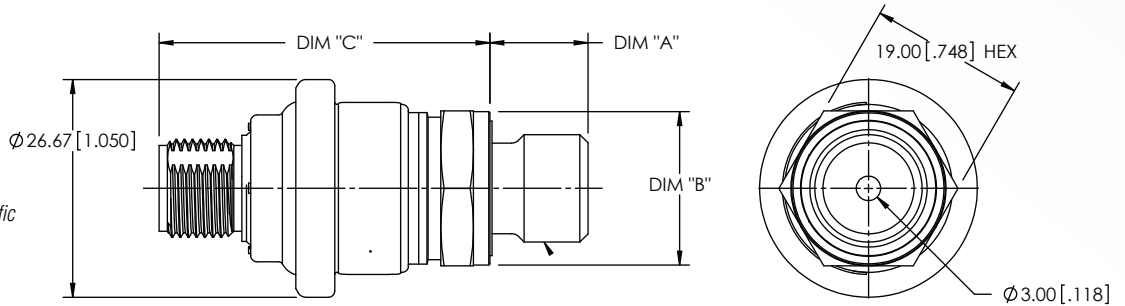
P250R/P251R

Sealed Industrial Pressure Sensors with Internal Regulator

Outline Drawings



Dimension "A" = 15.8 mm (Max)
 "B" = 50.4 mm (Max)
 "C" = 18.8 mm
 (Please consult factory for dimensions of specific configurations.)



LOW PRESSURE, M12 CONNECTOR SHOWN

Mating Connectors (Mating Connector Kits not Shown)

