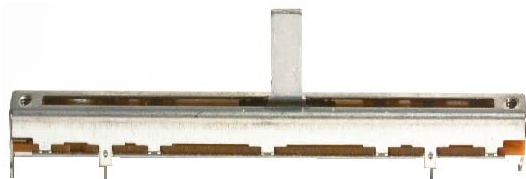


Model PS100
 Slide Potentiometer
 Single / Dual Gang
 100 mm Travel
 100,000 Cycle Life
 Metal Shaft
 RoHS Compliant



MODEL STYLE

Single Gang , 100mm Travel	PS100 -1
Dual Gang , 100mm Travel	PS100 -2

ELECTRICAL¹

Resistance Range, Ohms	500 -1M
Standard Resistance Tolerance	± 20%
Resistance Tapers	A,B,C
Residual Resistance, Max.	Term. 1-2 : 10 ohms, Term 2-3: 30 ohms
Input Voltage, Maximum	200Vdc
Power rating, Watts	Linear B taper: 0.25W Other tapers: 0.125W
Dielectric Strength	300Vac, 1 minute
Insulation Resistance, Minimum	100M ohms at 250Vdc/ 1 minute
Sliding Noise	Less than 100mV
Gang Error	±3dB (-40dB to 0dB)

MECHANICAL

Static Stop Strength, Minimum	10.0 Kgf-cm
Operating Force	30gf max.

DURABILITY

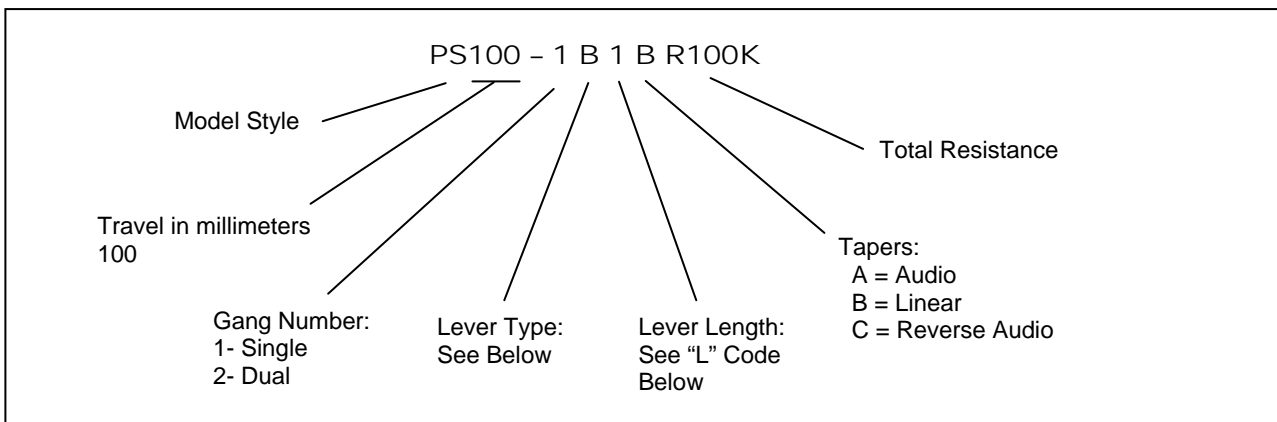
Sliding Life	100,000 cycles
--------------	----------------

¹ Specifications subject to change without notice.

Model PS100

ORDERING INFORMATION²

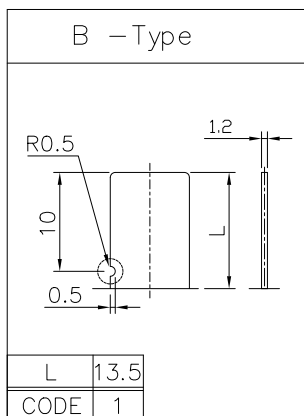
Model PS100



STANDARD RESISTANCE VALUES, OHMS

500	1K	2K	5K	10K	20K	50K	100K	200K	500K	1 MEG
-----	----	----	----	-----	-----	-----	------	------	------	-------

Metal Lever Types

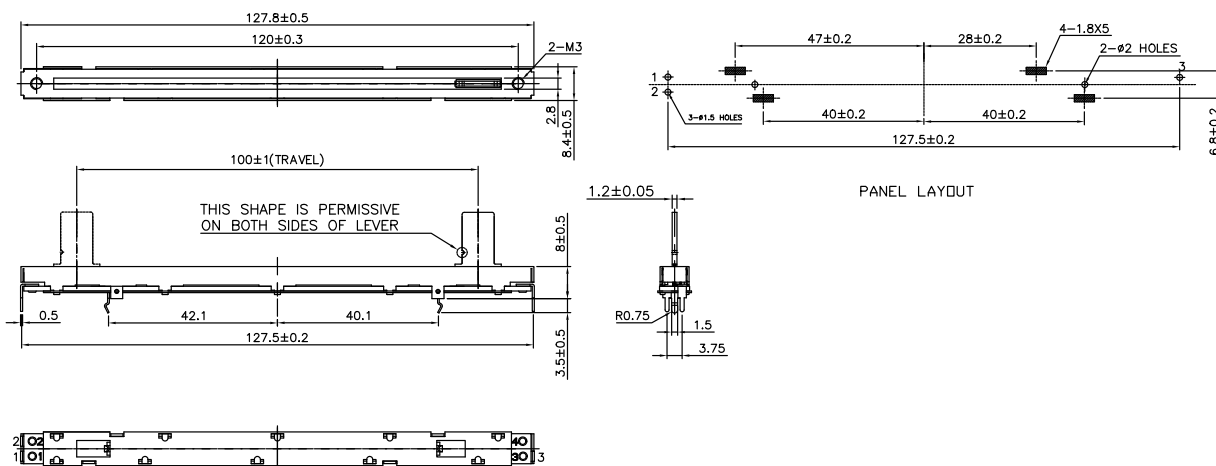


² Contact our customer service for custom designs and features.

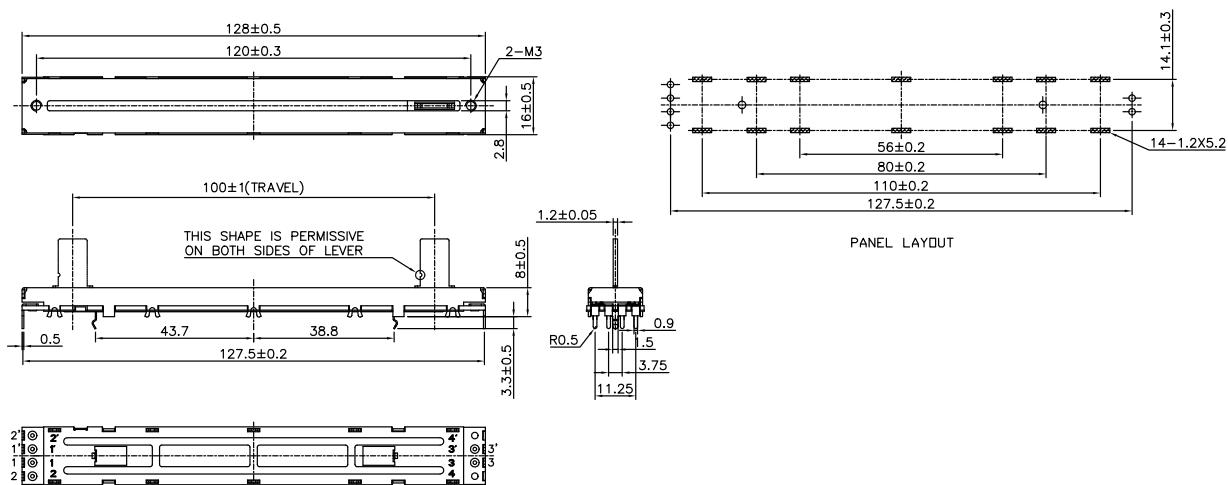
Model PS100

OUTLINE DRAWING

PS100-1 Single Gang

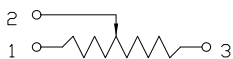


PS100-2 Dual Gang

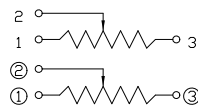


CIRCUIT DIAGRAM

PS100-1 Single Gang



PS100-2 Dual Gang



BI Technologies Corporation
4200 Bonita Place, Fullerton, CA 92835 USA

Phone: 714 447 2345 Website: www.bitechnologies.com

November 16, 2009

page 3 of 3

