

SPECLIN

10Base-T Quad Transformer Design for varied turn ratio on TX side

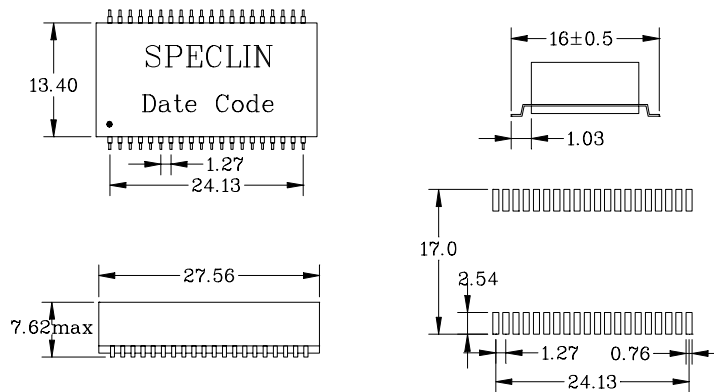


- ◆ Designed to meet IEEE802.4 requirement.
- ◆ Designed to meet IR 235°C peak requirement.
- ◆ 1500 Vrms isolation.

Electrical Characteristic @25°C

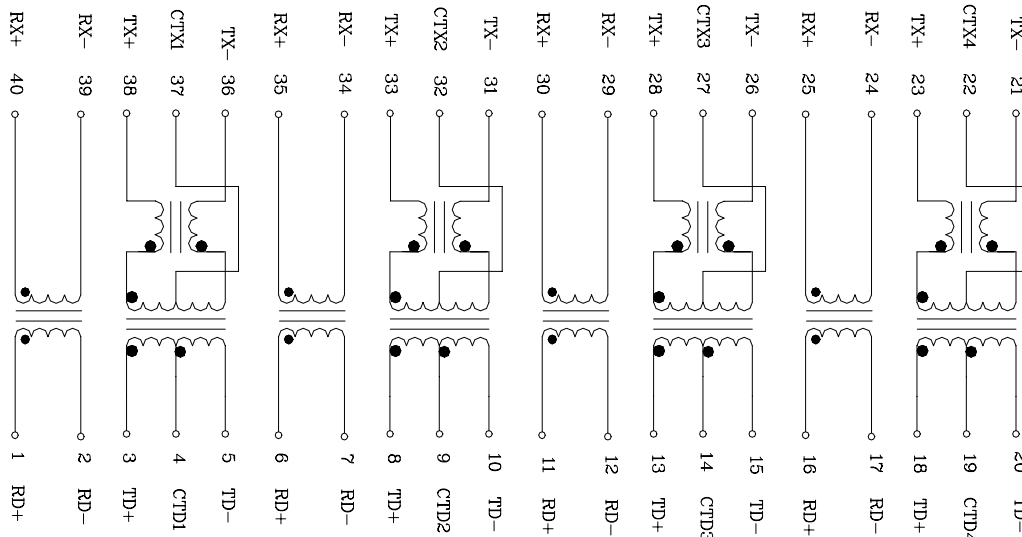
Model No.	Turn Ratio TX/RX	Insertion Loss (1-10MHz)dB max	Return Loss(dB min.)		Crosstalk dB min. (5-10MHz)	Schematic
			X'mit	Receiver		
LT40S101	1:1/1:1	-1.0	-18.0	-15.0	-50.0	S-1
LT40S102	1:1/1:1	-1.0	-18.0	-15.0	-50.0	S-1
LT40S103	1:1.414/1:1	-1.0	-18.0	-15.0	-50.0	S-2
LT40S104	1:1.414/1:1	-1.0	-18.0	-15.0	-50.0	S-3
LT40S105	2:1/1:1	-1.0	-18.0	-15.0	-50.0	S-2
LT40S106	1:1.414/1:1	-1.0	-18.0	-15.0	-50.0	S-4

Dimension: ±0.25mm



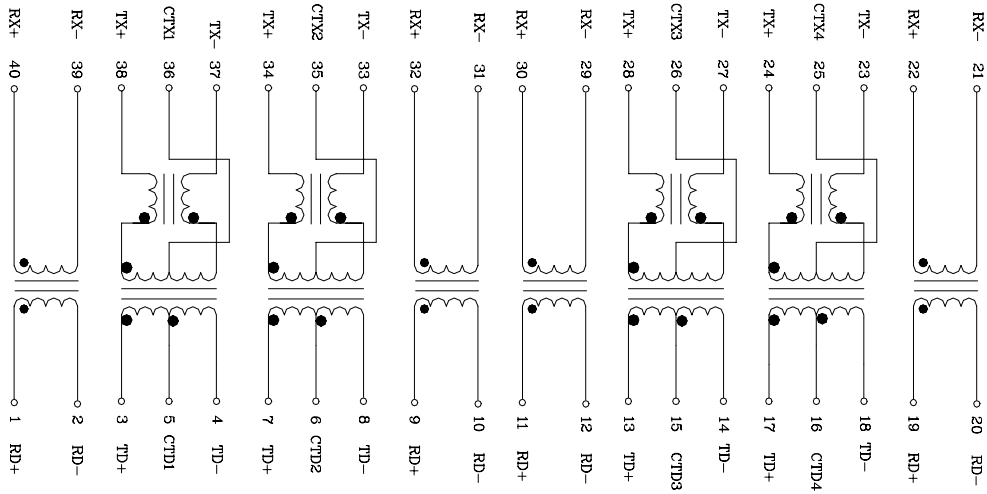
Schematic

S-1

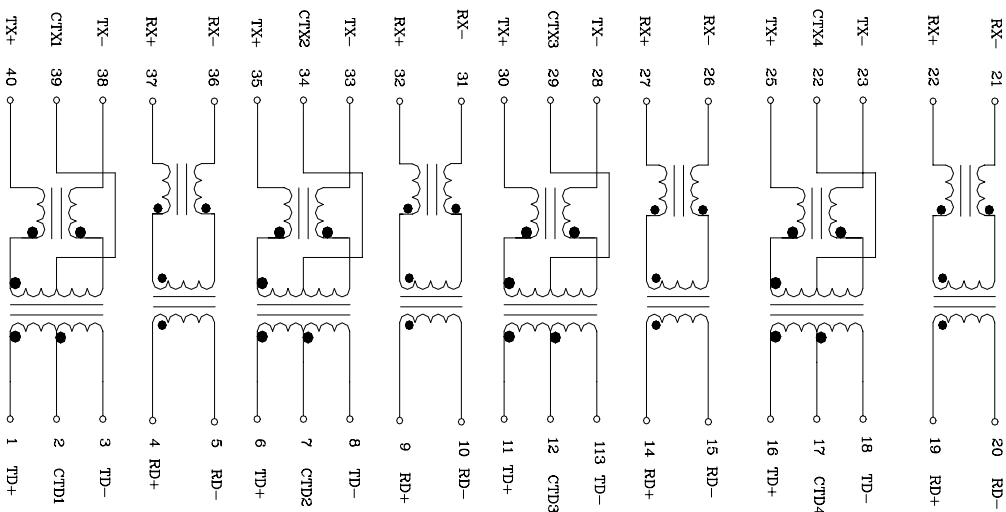


Note: No Common Mode Choke For LT40S102

S-2



S-3



S-4

