

USR UNR 4-4020



- Highest Stability
- Nearly Temperature Independent
- Minimum Tolerance
- Low Capacity and Inductance
- Customized Resistor Values

SPECIFICATIONS

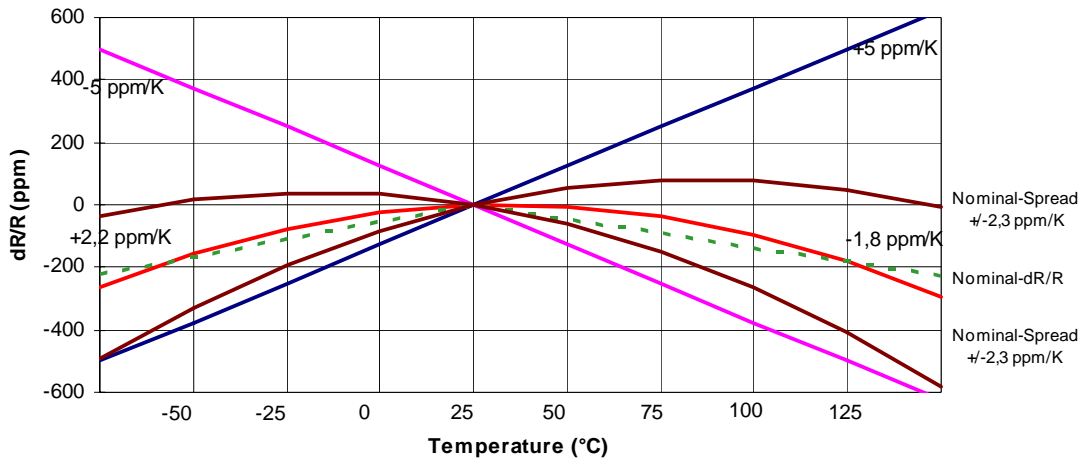
ELEKTRICAL		USR 4-4020	UNR 4-4020 note ¹⁾
Resistance Range	:	0R05 ... 500R other resistance values upon request / power rating depending on resistor value	0R05 ... 500R
Power Rating	:	2.5 W (70°C) without heatsink 30 W* * with heatsink	50 W*
Thermal Resistance Rthj-c	:	3.6 K/W	2.2 K/W
Tolerances	:		
from 0R05	:	0.1%, 0.25%, 0.5%, 1%	
from 10R	:	0.05%, 0.1%, 0.25%, 0.5%, 1%	
from 50R	:	0.01%, 0.02%, 0.05%, 0.1%, 0.25%, 0.5%, 1%	
Stability	:	0.01%	
Temperature Coefficient	:	max. ±5 ppm/K (-55...155)°C typ. ±3 ppm/K (-55...125)°C upon request ±1 ppm/K (0...60)°C	
Voltage Proof	:	750 VDC	
Max. Current	:	15 A	15 A
Thermal EMF	:	<1 µV/K	
ENVIRONMENTAL			
Operating Temperature Range	:	-55°C...155°C	
MECHANICAL			
Resistor Material	:	NiCr-Foil	
Substrate	:	Al ₂ O ₃	AlN
Housing	:	Epoxy + Al-heatsink	
Connector Material	:	Cu, tinned, 4-pin	
Max. torque backplate	:	1.0 Nm	

note¹⁾: Specially designed for applications with fast changing electrical load.

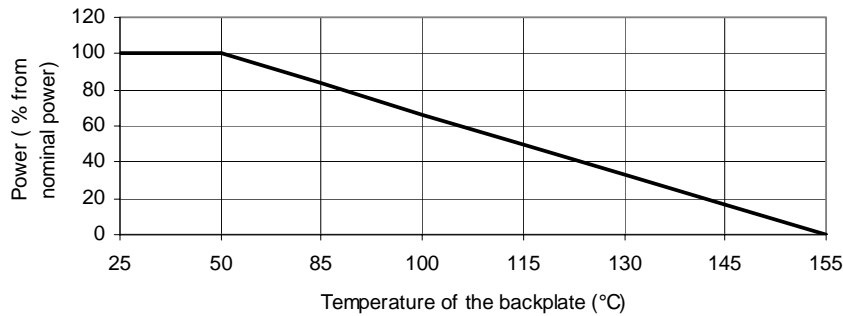
USR UNR 4-4020



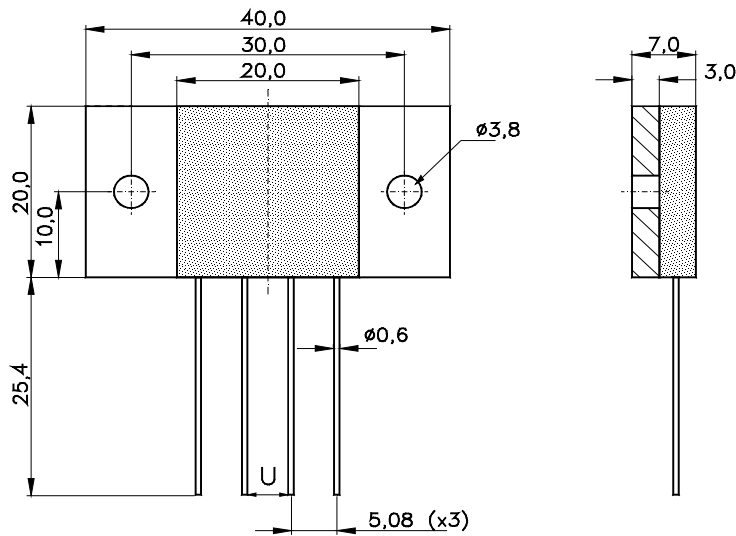
TEMPERATURE COEFFICIENT



DERATING CURVE



DIMENSIONS



from R ≤ 0R1 leads with d=0.8mm

Dimensions in mm

HOW TO ORDER

USR 4-4020 0R3 D 0.25% TK3

UNR 4-4020 50R D 0.01% TK1