

MICRO ELECTRONICS

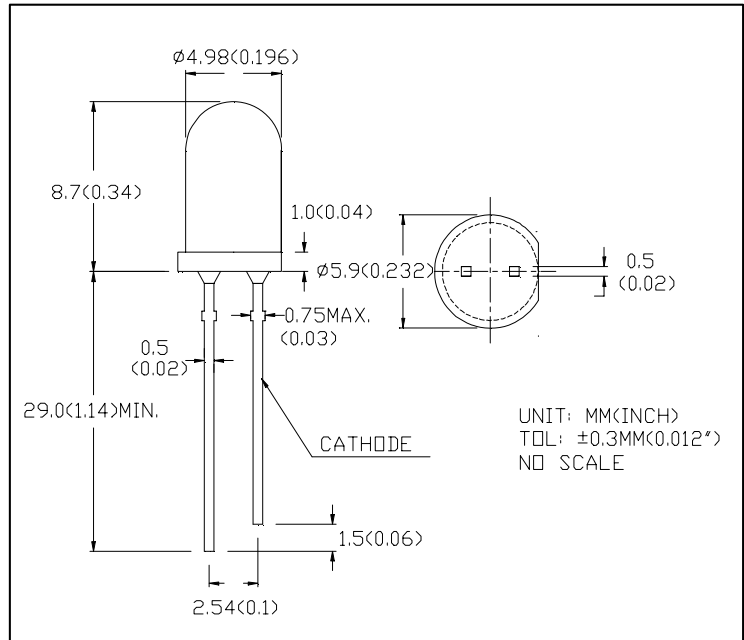
MSB557TA

**HIGH
BRIGHTNESS
BLINKING LED LAMP**

DESCRIPTION

MSB557TA is a high brightness output red LED lamp with a 5mm diameter clear transparent lens.

The built-in IC flashes the lamp on/off and can be driven directly by standard TTL or CMOS circuits, eliminating the need for external switching circuitry.



ABSOLUTE MAXIMUM RATINGS

Operating Temperature Range

-20 to +80°C

Storage Temperature Range

-30 to +100°C

Lead Soldering Temperature (1/16" from body)

260°C for 5 sec.

ELECTRO-OPTICAL CHARACTERISTICS (Ta=25°C)

PARAMETER	SYMBOL	MIN	TYP	MAX	UNIT	CONDITIONS
Luminous Intensity	IV	100	200		mcd	Vopr=3V DC
Operating Voltage	Vopr	2.5	3.0	3.8	V	
Peak Current(1/24 duty cycle)	ICM	10	35		mA	Vopr=3V DC
Dominant Wavelength	λ_d		660		nm	Vopr=3V DC
Flashing Rate		0.6	1.0	1.8	Hz	Vopr=3V DC
Viewing Angle	2 θ 1/2		20		degree	Vopr=3V DC

CAUTION

*Reverse voltage will damages the LED .

*Static eletricity and surge damages the LED ,It is recommended to use a wrist band or anti-eleetrostatic glove when handling the LED . All devices,equipment and machinery must be properly grounded.



MICRO ELECTRONICS LTD.

美科有限公司

7/F, Enterprise Square Three, 39 Wang Chiu Road, Kowloon Bay, Kowloon, Hong Kong.

TEL: (852) 23430181 FAX: (852) 23410321

HOME PAGE: <http://www.microelectr.com.hk>

REV : E

20/1/2005