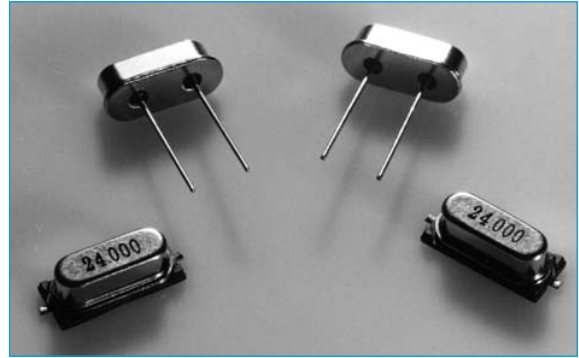


## CRYSTALS

- Useful replacement for DXT49
- Where board space is paramount
- Standard frequencies readily available
- Resistance welded can
- Surface mount version DXT49SM also available

## LOW PROFILE CRYSTAL HOLDER & SMT DXT494/49SM



SECTION 2

## SPECIFICATION

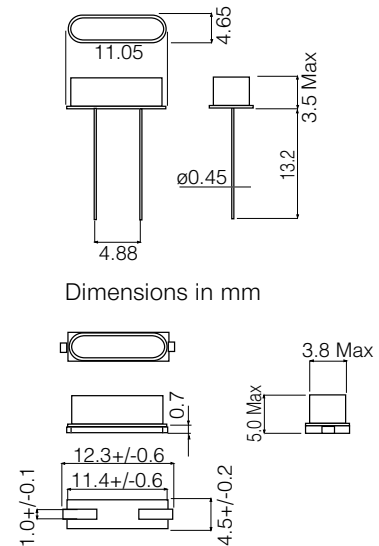
|                                     |                                |                  |
|-------------------------------------|--------------------------------|------------------|
| Frequency Range (Fo)                | 3.200MHZ to 66.000MHZ          |                  |
| Frequency Tolerance at 25°C +3°C    | ±50ppm (typ)                   | ±50ppm           |
| Temperature Stability (Ref to 25°C) | ±50ppm (typ)                   | ±100ppm          |
| Operating Temperature Range (ToPR)  | 0°C to 70°C (AT)               | 0°C to 70°C (BT) |
| Storage Temperature Range (TSTG)    | -40°C to 85°C                  |                  |
| Shunt Capacitance (Co)              | 7pF Max                        |                  |
| Load Capacitance (CL)               | 10 to 32 pF or Series Resonant |                  |
| Insulation Resistance               | 500 Megaohms Minimum at 100Vdc |                  |
| Drive Level                         | 1mWatts Max                    |                  |
| Ageing (at 25°C <sup>o</sup> )      | ±5ppm/year Max                 |                  |

## EQUIVALENT SERIES RESISTANCE (ESR)

### MODE OF OPERATION (MODE)

| Frequency Range        | Max ESR (Ω) | Mode           |
|------------------------|-------------|----------------|
| 3.200MHz to 4.499MHz   | 150         | Fundamental/AT |
| 4.500MHz to 5.999MHz   | 120         | Fundamental/AT |
| 6.000MHz to 6.999MHz   | 100         | Fundamental/AT |
| 7.000MHz to 7.999MHz   | 90          | Fundamental/AT |
| 8.000MHz to 8.999MHz   | 80          | Fundamental/AT |
| 9.000MHz to 9.999MHz   | 60          | Fundamental/AT |
| 10.000MHz to 12.999MHz | 50          | Fundamental/AT |
| 13.000MHz to 30.000MHz | 40          | Fundamental/AT |
| 30.000MHz to 66.000MHz | 80          | 3rd Overtone   |
| 27.000MHz to 40.000MHz | 40          | Fundamental/BT |

## OUTLINE DRAWING



## ORDERING INFORMATION

| DXT494                      | 10.000             | A  | 20   | XX                                       | XX   | XX  |
|-----------------------------|--------------------|--|--|--|--|---|
| Series<br>DXT494<br>DXT49SM | Frequency<br>(MHz) | Mode of<br>Operation                             | Load<br>Capacitance<br>or Series<br>Resistance | Options<br>Frequency<br>Tolerance<br>ppm | Options<br>Temperature<br>Stability<br>ppm | TR = Taped<br>and reeled<br>Blank = Loose |
|                             |                    | A-AT Cut Fund<br>B-BT Cut Fund<br>T-3rd Overtone |  |  |  |   |