

5A Low Dropout Fast Response Positive Regulators Adjustable and Fixed

FEATURES

- Fast Transient Response
- Guaranteed Dropout Voltage at Multiple Currents
- Load Regulation: 0.05% Typ
- Trimmed Current Limit
- On-Chip Thermal Limiting
- Standard 3-Pin TO-220 Power Package

APPLICATIONS

- Pentium® Processor Supplies
- PowerPC™ Supplies
- Other 2.5V to 3.6V Microprocessor Supplies
- Low Voltage Logic Supplies
- Battery-Powered Circuitry
- Post Regulator for Switching Supply

LT1585ACT	Adjustable
LT1585ACT-3.3	3.3V Fixed

DESCRIPTION

The LT[®]1585A/LT1585A-3.3 are low dropout 3-terminal regulators with 5A output current capability. Design has been optimized for low voltage applications where transient response and minimum input voltage are critical. Similar to the LT1084 family, these regulators feature lower dropout voltage and faster transient response. These improvements make them ideal for low voltage microprocessor applications requiring a regulated 2.5V to 3.6V output with an input supply below 7V.

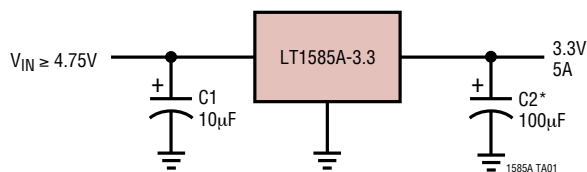
Current limit is trimmed to ensure specified output current and controlled short-circuit current. On-chip thermal limiting provides protection against any combination of overload that would create excessive junction temperatures.

The LT1585A/LT1585A-3.3 are available in the industry standard 3-pin TO-220 power package.

LT, LTC and LT are registered trademarks of Linear Technology Corporation. Pentium is a registered trademark of Intel Corporation. PowerPC is a trademark of IBM Corporation.

TYPICAL APPLICATION

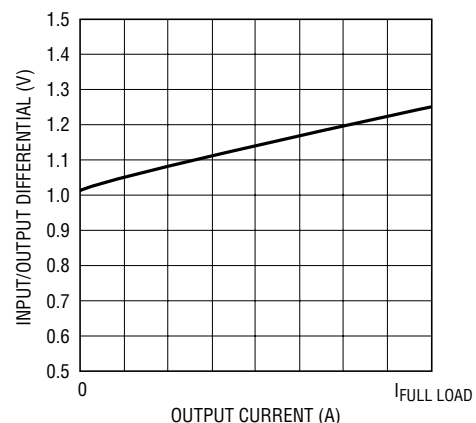
3.3V, 5A Regulator



* REQUIRED FOR STABILITY

NOTE: MICROPROCESSOR APPLICATIONS WITH LOAD TRANSIENTS OF 3.8A REQUIRE OUTPUT DECOUPLING CAPACITANCE >1300µF ON FIXED VOLTAGE PARTS TO ACHIEVE < 50mV OF DEVIATION FROM NOMINAL OUTPUT. CONSULT FACTORY FOR DETAILS

Dropout Voltage vs Output Current



LT1585A TA02

LT1585A/LT1585A-3.3

ABSOLUTE MAXIMUM RATINGS

V_{IN} 7V
 Operating Junction Temperature Range
 Control Section 0°C to 125°C
 Power Transistor 0°C to 150°C

Storage Temperature Range -65°C to 150°C
 Lead Temperature (Soldering, 10 sec) 300°C

PRECONDITIONING

100% Thermal Limit Functional Test

PACKAGE/ORDER INFORMATION

<p>FRONT VIEW</p> <p>T PACKAGE 3-LEAD PLASTIC TO-220</p> <p>$\theta_{JA} = 50^{\circ}\text{C/W}$, $\theta_{JC} = 3^{\circ}\text{C/W}$</p>	<p>ORDER PART NUMBER</p> <p>LT1585ACT</p>	<p>FRONT VIEW</p> <p>T PACKAGE 3-LEAD PLASTIC TO-220</p> <p>$\theta_{JA} = 50^{\circ}\text{C/W}$, $\theta_{JC} = 3^{\circ}\text{C/W}$</p>	<p>ORDER PART NUMBER</p> <p>LT1585ACT-3.3</p>
---	---	---	---

Consult LTC Marketing for parts specified with wider operating temperature ranges.

ELECTRICAL CHARACTERISTICS

The ● denotes specifications which apply over the specified temperature range, otherwise specifications are at $T_A = 25^{\circ}\text{C}$.

PARAMETER	CONDITIONS	MIN	TYP	MAX	UNITS
Reference Voltage	LT1585A $(V_{IN} - V_{OUT}) = 3\text{V}$, $T_J = 25^{\circ}\text{C}$, $I_{OUT} = 10\text{mA}$ $1.5\text{V} \leq (V_{IN} - V_{OUT}) \leq 5.75\text{V}$, $10\text{mA} \leq I_{OUT} \leq 5\text{A}$	1.238 (-1%)	1.250	1.262 (+1%)	V
		● 1.225 (-2%)	1.250	1.275 (+2%)	V
Output Voltage	LT1585A-3.3 $V_{IN} = 5\text{V}$, $T_J = 25^{\circ}\text{C}$, $I_{OUT} = 0\text{mA}$ $4.75\text{V} \leq V_{IN} \leq 7\text{V}$, $0\text{mA} \leq I_{OUT} \leq 5\text{A}$	3.267 (-1%)	3.300	3.333 (+1%)	V
		● 3.235 (-2%)	3.300	3.365 (+2%)	V
Line Regulation (Notes 1, 2)	LT1585A LT1585A-3.3 $2.75\text{V} \leq V_{IN} \leq 7\text{V}$, $I_{OUT} = 10\text{mA}$ $4.75\text{V} \leq V_{IN} \leq 7\text{V}$, $I_{OUT} = 0\text{mA}$	●	0.005	0.2	%
Load Regulation (Notes 1, 2, 3)	LT1585A LT1585A-3.3 $(V_{IN} - V_{OUT}) = 3\text{V}$, $T_J = 25^{\circ}\text{C}$, $10\text{mA} \leq I_{OUT} \leq I_{FULL\ LOAD}$ $V_{IN} = 5\text{V}$, $T_J = 25^{\circ}\text{C}$, $0\text{mA} \leq I_{OUT} \leq I_{FULL\ LOAD}$	●	0.05	0.3	%
			0.05	0.5	%
Dropout Voltage	LT1585A LT1585A-3.3 $\Delta V_{REF} = 1\%$, $I_{OUT} = 3\text{A}$ $\Delta V_{OUT} = 1\%$, $I_{OUT} = 3\text{A}$	●	1.150	1.300	V
Current Limit (Note 3)	LT1585A LT1585A-3.3 $(V_{IN} - V_{OUT}) = 5.5\text{V}$ $(V_{IN} - V_{OUT}) = 5.5\text{V}$	●	5.0	6.0	A
Adjust Pin Current	LT1585A	●	55	120	μA
Adjust Pin Current Change (Note 3)	LT1585A $1.5\text{V} \leq (V_{IN} - V_{OUT}) \leq 5.75\text{V}$, $10\text{mA} \leq I_{OUT} \leq I_{FULL\ LOAD}$	●	0.2	5	μA
Minimum Load Current	LT1585A $1.5\text{V} \leq (V_{IN} - V_{OUT}) \leq 5.75\text{V}$	●	2	10	mA
Quiescent Current	LT1585A-3.3 $V_{IN} = 5\text{V}$	●	8	13	mA

1585afa

ELECTRICAL CHARACTERISTICS

The ● denotes specifications which apply over the specified temperature range, otherwise specifications are at $T_A = 25^\circ\text{C}$.

PARAMETER		CONDITIONS	MIN	TYP	MAX	UNITS
Ripple Rejection	LT1585A LT1585A-3.3	$f = 120\text{Hz}$, $C_{OUT} = 100\mu\text{F}$ Tant., $(V_{IN} - V_{OUT}) = 3\text{V}$, $I_{OUT} = 5\text{A}$ $f = 120\text{Hz}$, $C_{OUT} = 100\mu\text{F}$ Tant., $V_{IN} = 6.3\text{V}$, $I_{OUT} = 5\text{A}$	● 60	72		dB
Thermal Regulation	LT1585A LT1585A-3.3	$T_A = 25^\circ\text{C}$, 30ms Pulse $T_A = 25^\circ\text{C}$, 30ms Pulse		0.004	0.02	%/W
Temperature Stability			●	0.5		%
Long-Term Stability		$T_A = 125^\circ\text{C}$, 1000 Hrs.		0.03	1.0	%
RMS Output Noise (% of V_{OUT})		$T_A = 25^\circ\text{C}$, $10\text{Hz} \leq f \leq 10\text{kHz}$		0.003		%
Thermal Resistance Junction to Case	LT1585A	T Package: Control Circuitry/Power Transistor			0.7/3.0	$^\circ\text{C}/\text{W}$

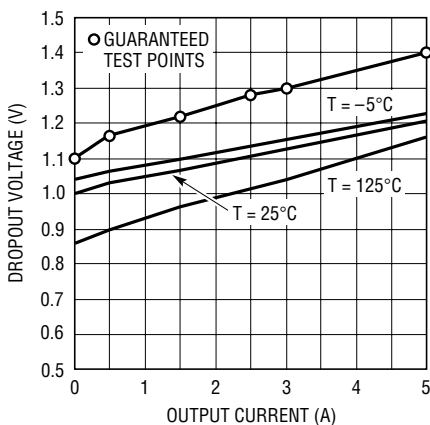
Note 1: See thermal regulation specifications for changes in output voltage due to heating effects. Load and line regulation are measured at a constant junction temperature by low duty cycle pulse testing.

Note 2: Line and load regulation are guaranteed up to the maximum power dissipation 28.8W for the LT1585A in T package. Power dissipation is determined by input/output differential and the output current. Guaranteed maximum output power will not be available over the full input/output voltage range.

Note 3: $I_{FULL\ LOAD}$ is defined as the maximum value of output load current as a function of input-to-output voltage. $I_{FULL\ LOAD}$ is equal to 5A for the LT1585A/LT1585A-3.3. The LT1585A has constant current limit with changes in input-to-output voltage.

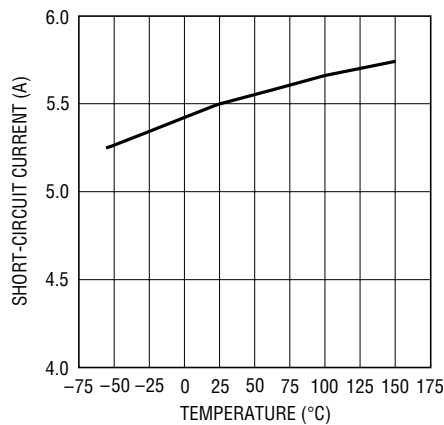
TYPICAL PERFORMANCE CHARACTERISTICS

LT1585A Dropout Voltage vs Output Current



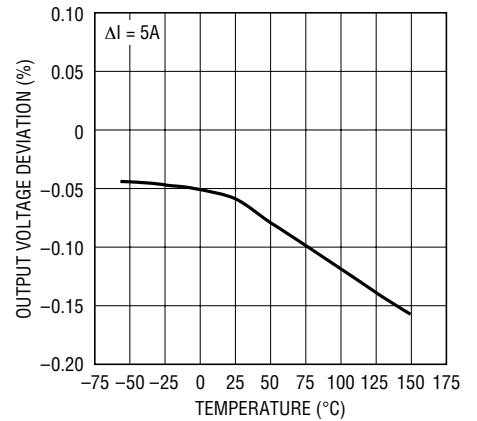
LT1585A • TPC01

LT1585A Short-Circuit Current vs Temperature



LT1585A • TPC02

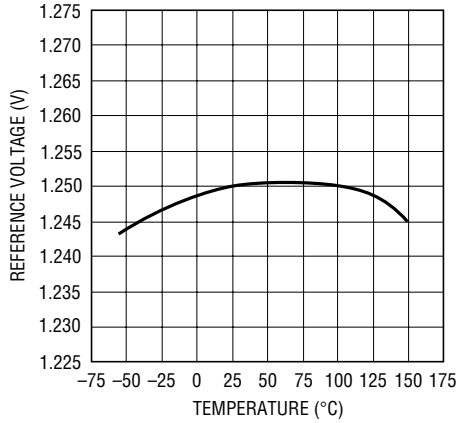
LT1585A Load Regulation vs Temperature



LT1585A • TPC03

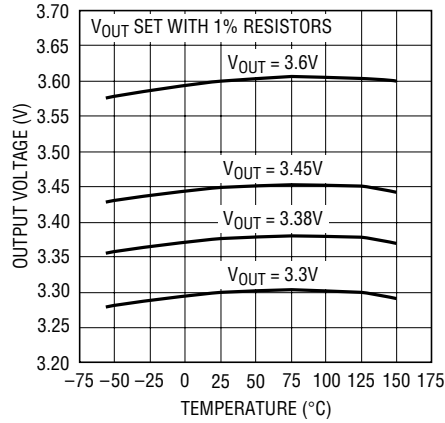
TYPICAL PERFORMANCE CHARACTERISTICS

LT1585A Reference Voltage vs Temperature



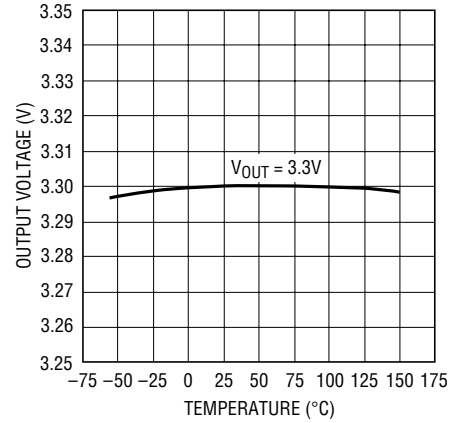
LT1585A • TPC04

Output Voltage vs Temperature Using Adjustable LT1585A



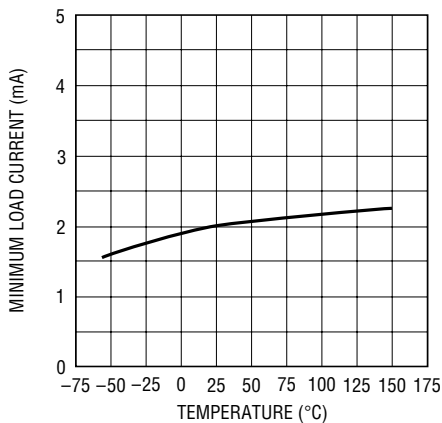
LT1585A • TPC05

LT1585A-3.3 Output Voltage vs Temperature



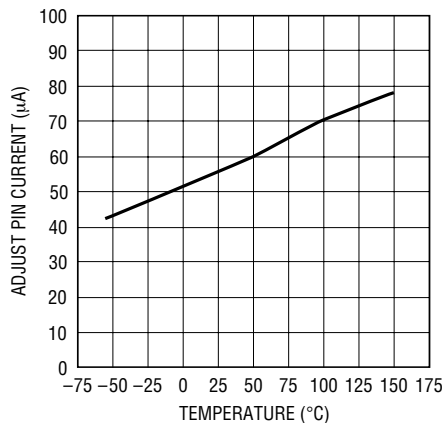
LT1585A • TPC06

LT1585A Minimum Load Current vs Temperature



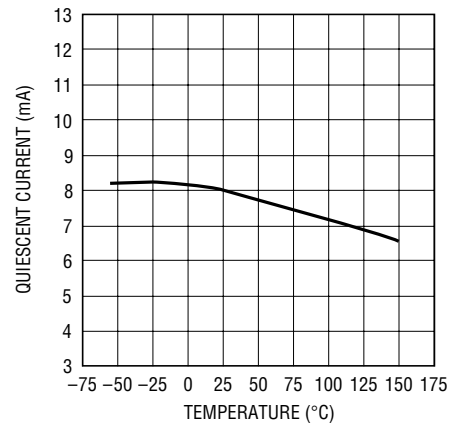
LT1585A • TPC07

LT1585A Adjust Pin Current vs Temperature



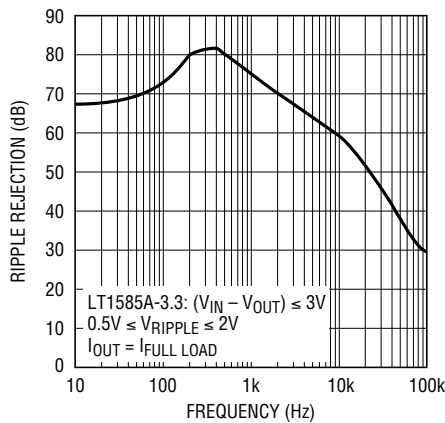
LT1585A • TPC08

LT1585A-3.3 Quiescent Current vs Temperature



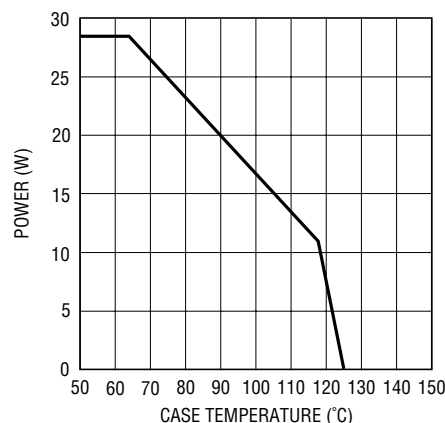
LT1585A • TPC09

LT1585A-3.3 Ripple Rejection vs Frequency



LT1585A • TPC10

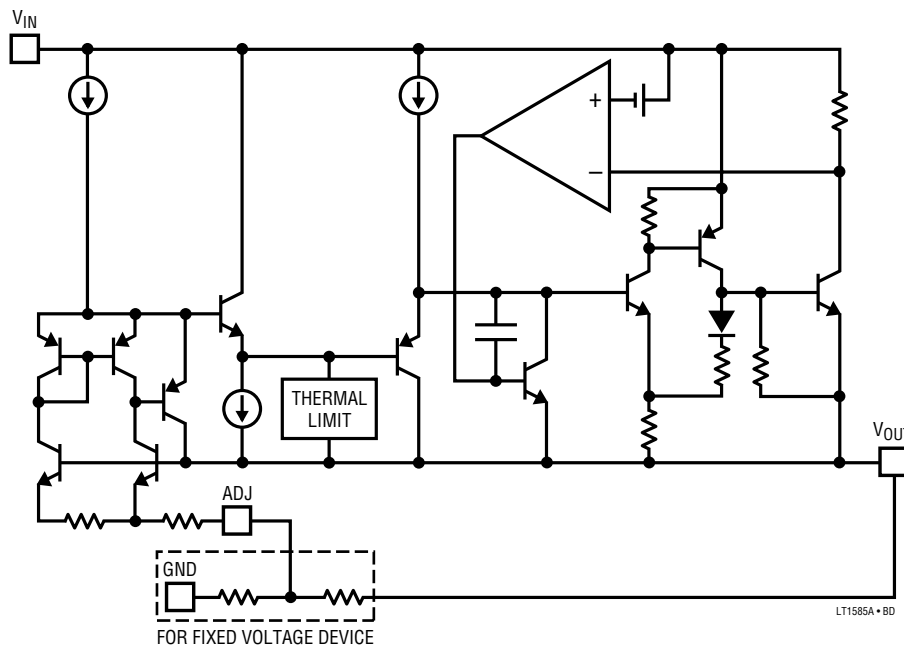
LT1585A Maximum Power Dissipation*



LT1585A • TPC11

*AS LIMITED BY MAXIMUM JUNCTION TEMPERATURE

SIMPLIFIED SCHEMATIC



APPLICATIONS INFORMATION

General

The LT1585A/LT1585A-3.3 3-terminal regulators are easy to use and have all the protection features expected in high performance linear regulators. The devices are short-circuit protected, safe-area protected and provide thermal shutdown to turn off the regulators should the junction temperature exceed about 150°C. The regulators include an adjustable and a fixed 3.3V version.

These ICs are pin compatible with the LT1083/LT1084/LT1085 family of linear regulators but offer lower dropout voltage and faster transient response. The trade-off for this improved performance is a 7V maximum supply voltage. Similar to the LT1083/LT1084/LT1085 family, the LT1585A/LT1585A-3.3 regulators require an output capacitor for stability. However, the improved frequency compensation permits the use of capacitors with much lower ESR while still maintaining stability. This is critical in addressing the needs of modern, low voltage, high speed microprocessors.

Current generation microprocessors cycle load current from almost zero to amps in tens of nanoseconds. Output voltage tolerances are tighter and include transient response as part of the specification. The LT1585A/LT1585A-3.3 are specifically designed to meet the fast current load-step requirements of these microprocessors and save total cost by needing less output capacitance in order to maintain regulation.

Stability

The circuit design in the LT1585A/LT1585A-3.3 requires the use of an output capacitor as part of the frequency compensation. For all operating conditions, the addition of a 100µF solid tantalum or aluminum electrolytic on the output ensures stability. Normally, the LT1585A/LT1585A-3.3 can use smaller value capacitors. Many different types of capacitors are available and have widely varying characteristics. These capacitors differ in capaci-

APPLICATIONS INFORMATION

tor tolerance (sometimes ranging up to $\pm 100\%$), equivalent series resistance, equivalent series inductance and capacitance temperature coefficient. The LT1585A/LT1585A-3.3 frequency compensation optimizes frequency response with low ESR capacitors. In general, use capacitors with an ESR of less than 1Ω .

On the adjustable LT1585A, bypassing the adjust terminal improves ripple rejection and transient response. Bypassing the adjust pin increases the required output capacitor value. The value of $100\mu\text{F}$ tantalum or aluminum covers all cases of bypassing the adjust terminal. With no adjust pin bypassing, smaller values of capacitors provide equally good results.

Normally, capacitor values on the order of several hundred microfarads are used on the output of the regulators to ensure good transient response with heavy load current changes. Output capacitance can increase without limit and larger values of output capacitance further improve the stability and transient response of the LT1585A/LT1585A-3.3.

Large load current changes are exactly the situation presented by modern microprocessors. The load current step contains higher order frequency components that the output decoupling network must handle until the regulator throttles to the load current level. Capacitors are not ideal elements and contain parasitic resistance and inductance. These parasitic elements dominate the change in output voltage at the beginning of a transient load step change. The ESR of the output capacitors produces an instantaneous step in output voltage ($\Delta V = \Delta I \cdot \text{ESR}$). The ESL of the output capacitors produces a droop proportional to the rate of change of output current ($V = L \cdot \Delta I / \Delta t$). The output capacitance produces a change in output voltage proportional to the time until the regulator can respond ($\Delta V = \Delta t \cdot \Delta I / C$). These transient effects are illustrated in Figure 1.

The use of capacitors with low ESR, low ESL and good high frequency characteristics is critical in meeting the output voltage tolerances of these high speed micropro-

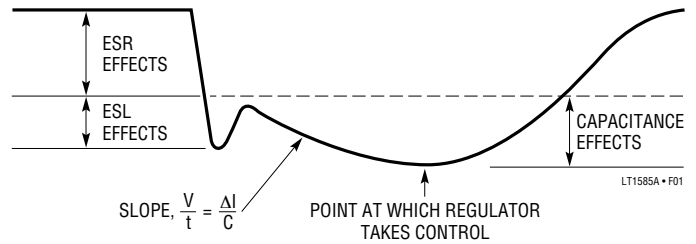


Figure 1

cessors. These requirements dictate a combination of high quality, surface mount tantalum capacitors and ceramic capacitors. The location of the decoupling network is critical to transient response performance. Place the decoupling network as close as possible to the processor pins because trace runs from the decoupling capacitors to the processor pins are inductive. The ideal location for the decoupling network is actually inside the microprocessor socket cavity. In addition, use large power and ground plane areas to minimize distribution drops.

A possible stability problem that occurs in monolithic linear regulators is current limit oscillations. The LT1585A/LT1585A-3.3 essentially have a flat current limit over the range of input supply voltage. The lower current limit rating and 7V maximum supply voltage rating for these devices permit this characteristic. Current limit oscillations are typically nonexistent, unless the input and output decoupling capacitors for the regulators are mounted several inches from the terminals.

Protection Diodes

In normal operation, the LT1585A/LT1585A-3.3 do not require any protection diodes. Older 3-terminal regulators require protection diodes between the output pin and the input pin or between the adjust pin and the output pin to prevent die overstress.

On the adjustable LT1585A, internal resistors limit internal current paths on the adjust pin. Therefore, even with bypass capacitors on the adjust pin, no protection diode is needed to ensure device safety under short-circuit conditions.

APPLICATIONS INFORMATION

A protection diode between the input and output pins is usually not needed. An internal diode between the input and output pins on the LT1585A/LT1585A-3.3 can handle microsecond surge currents of 50A to 100A. Even with large value output capacitors it is difficult to obtain those values of surge currents in normal operation. Only with large values of output capacitance, such as 1000 μ F to 5000 μ F, and with the input pin instantaneously shorted to ground can damage occur. A crowbar circuit at the input of the LT1585A/LT1585A-3.3 can generate those levels of current, and a diode from output to input is then recommended. This is shown in Figure 2. Usually, normal power supply cycling or system “hot plugging and unplugging” will not generate current large enough to do any damage.

The adjust pin can be driven on a transient basis ± 7 V with respect to the output, without any device degradation. As with any IC regulator, exceeding the maximum input-to-output voltage differential causes the internal transistors to break down and none of the protection circuitry is then functional.

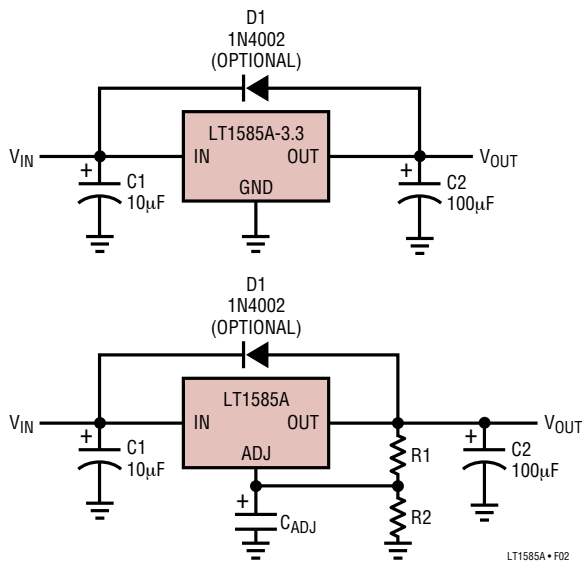


Figure 2

Ripple Rejection

The typical curve for ripple rejection reflects values for the LT1585A-3.3 fixed output voltage part. In applications that require improved ripple rejection, use the adjustable device. A bypass capacitor from the adjust pin to ground reduces the output ripple by the ratio of $V_{OUT}/1.25$ V. The impedance of the adjust pin capacitor at the ripple frequency should be less than the value of R1 (typically in the range of 100 Ω to 120 Ω) in the feedback divider network in Figure 2. Therefore, the value of the required adjust pin capacitor is a function of the input ripple frequency. For example, if R1 equals 100 Ω and the ripple frequency equals 120Hz, the adjust pin capacitor should be 22 μ F. At 10kHz, only 0.22 μ F is needed.

Output Voltage

The LT1585A adjustable regulator develops a 1.25V reference voltage between the output pin and the adjust pin (see Figure 3). Placing a resistor R1 between these two terminals causes a constant current to flow through R1 and down through R2 to set the overall output voltage. Normally, this current is the specified minimum load current of 10mA. The current out of the adjust pin adds to the current from R1 and is typically 55 μ A. Its output voltage contribution is small and only needs consideration when very precise output voltage setting is required.

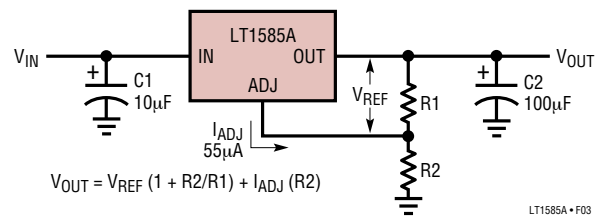


Figure 3. Basic Adjustable Regulator

APPLICATIONS INFORMATION

Load Regulation

It is not possible to provide true remote load sensing because the LT1585A/LT1585A-3.3 are 3-terminal devices. Load regulation is limited by the resistance of the wire connecting the regulators to the load. Load regulation per the data sheet specification is measured at the bottom of the package.

For fixed voltage devices, negative side sensing is a true Kelvin connection with the ground pin of the device returned to the negative side of the load. This is illustrated in Figure 4.

For adjustable voltage devices, negative side sensing is a true Kelvin connection with the bottom of the output divider returned to the negative side of the load. The best

load regulation is obtained when the top of resistor divider R1 connects directly to the regulator output and not to the load. Figure 5 illustrates this point. If R1 connects to the load, the effective resistance between the regulator and the load is:

$$R_p(1 + R_2/R_1), R_p = \text{Parasitic Line Resistance}$$

The connection shown in Figure 5 does not multiply R_p by the divider ratio. As an example, R_p is about four milliohms per foot with 16-gauge wire. This translates to 4mV per foot at 1A load current. At higher load currents, this drop represents a significant percentage of the overall regulation. It is important to keep the positive lead between the regulator and the load as short as possible and to use large wire or PC board traces.

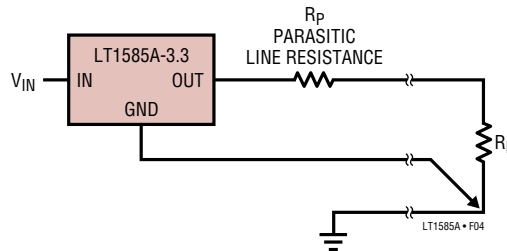


Figure 4. Connection for Best Load Regulation

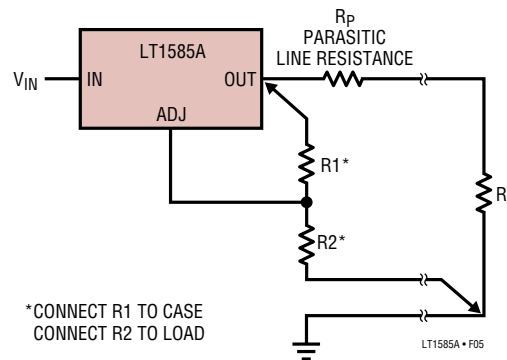


Figure 5. Connection for Best Load Regulation

APPLICATIONS INFORMATION

Thermal Considerations

The LT1585A/LT1585A-3.3 family protects the device under overload conditions with internal power and thermal limiting circuitry. However, for normal continuous load conditions, do not exceed maximum junction temperature ratings. It is important to consider all sources of thermal resistance from junction-to-ambient. These sources include the junction-to-case resistance, the case-to-heat sink interface resistance and the heat sink resistance. Thermal resistance specifications have been developed to more accurately reflect device temperature and ensure safe operating temperatures. The Electrical Characteristics section provides a separate thermal resistance and maximum junction temperature for both the control circuitry and the power transistor. Older regulators, with a single junction-to-case thermal resistance specification, use an average of the two values provided here and allow excessive junction temperatures under certain conditions of ambient temperature and heat sink resistance. Calculate the maximum junction temperature for both sections to ensure that both thermal limits are met.

Junction-to-case thermal resistance is specified from the IC junction to the bottom of the case directly below the die. This is the lowest resistance path for heat flow. Proper mounting ensures the best thermal flow from this area of the package to the heat sink. Linear Technology strongly recommends thermal compound at the case-to-heat sink interface. Use a thermally conductive spacer if the case of the device must be electrically isolated and include its contribution to the total thermal resistance. Please consult "Mounting Considerations for Power Semiconduc-

tors" 1990 Linear Applications Handbook, Volume I, Pages RR3-1 to RR3-20. The output connects to the case of both the LT1585A and the LT1585A-3.3.

For example, using an LT1585ACT-3.3 (TO-220, commercial) and assuming:

$$V_{IN}(\text{Max Continuous}) = 5.25\text{V} (5\text{V} + 5\%), V_{OUT} = 3.3\text{V}, I_{OUT} = 5\text{A}$$

$$T_A = 70^\circ\text{C}, \theta_{\text{HEAT SINK}} = 3^\circ\text{C/W}$$

$$\theta_{\text{CASE-TO-HEAT SINK}} = 1^\circ\text{C/W} (\text{with Thermal Compound})$$

Power dissipation under these conditions is equal to:

$$P_D = (V_{IN} - V_{OUT})(I_{OUT}) = (5.25 - 3.3)(5) = 9.75\text{W}$$

Junction temperature will be equal to:

$$T_J = T_A + P_D(\theta_{\text{HEAT SINK}} + \theta_{\text{CASE-TO-HEAT SINK}} + \theta_{JC})$$

For the Control Section:

$$T_J = 70^\circ\text{C} + 9.75\text{W} (3^\circ\text{C/W} + 1^\circ\text{C/W} + 0.7^\circ\text{C/W}) = 115.8^\circ\text{C}$$

$$115.8^\circ\text{C} < 125^\circ\text{C} = T_{J\text{MAX}} (\text{Control Section Commercial range})$$

For the Power Transistor:

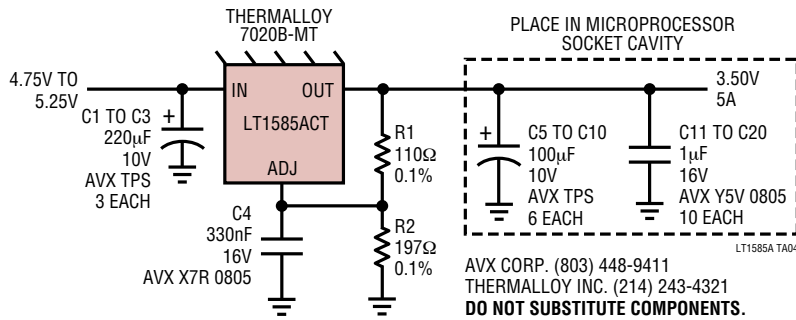
$$T_J = 70^\circ\text{C} + 9.75\text{W} (3^\circ\text{C/W} + 1^\circ\text{C/W} + 3^\circ\text{C/W}) = 138.3^\circ\text{C}$$

$$138.3^\circ\text{C} < 150^\circ\text{C} = T_{J\text{MAX}} (\text{Power Transistor Commercial Range})$$

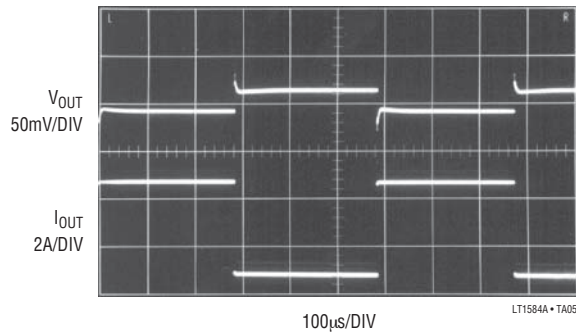
In both cases the junction temperature is below the maximum rating for the respective sections, ensuring reliable operation.

TYPICAL APPLICATIONS

**Minimum Parts Count LT1585A Adjustable Circuit
for the Intel 120MHz Pentium Processor**



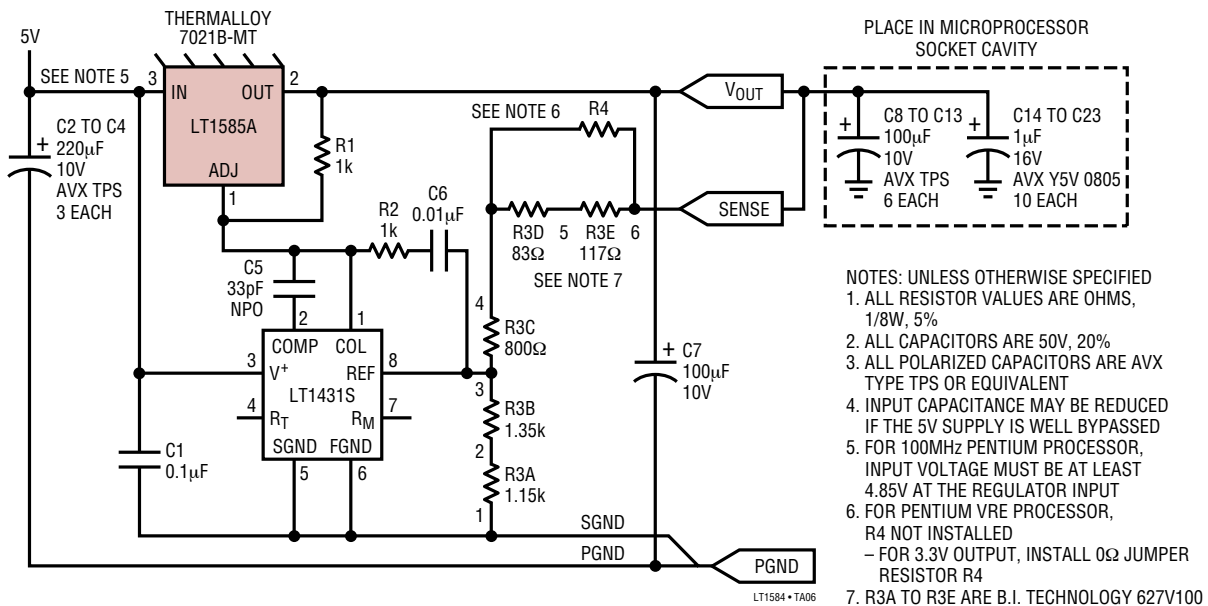
**LT1585A Transient Response
for 3.8A Load Current Step***



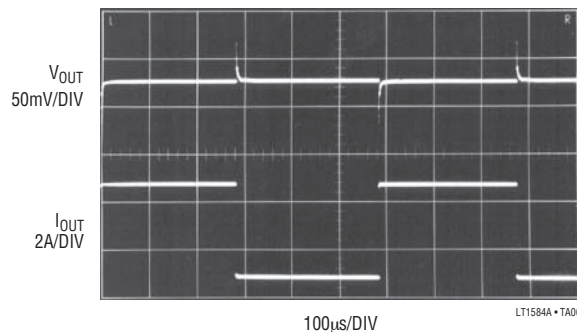
* TRANSIENT RESPONSE MEASURED WITH AN INTEL
POWER VALIDATOR. V_{OUT} IS MEASURED AT THE
POWER VALIDATOR

TYPICAL APPLICATIONS

Guaranteed LT1585A Circuit for the Intel 100MHz and Higher Frequency Pentium Processors (Meets Intel Specifications with Worst-Case Tolerances)



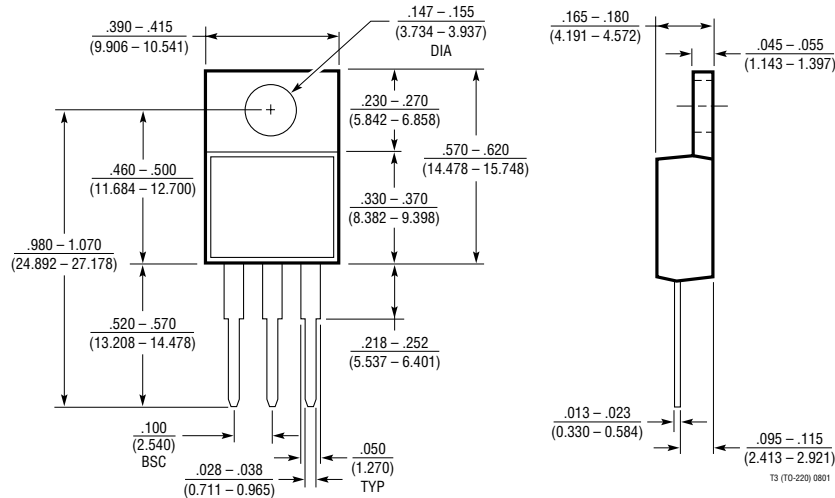
LT1585A/LT1431S Transient Response for 3.8A Load Current Step*



* TRANSIENT RESPONSE MEASURED WITH AN INTEL
POWER VALIDATOR. V_{OUT} IS MEASURED AT THE
POWER VALIDATOR

PACKAGE DESCRIPTION

T Package
3-Lead Plastic TO-220
 (Reference LTC DWG # 05-08-1420)



RELATED PARTS

PART NUMBER	DESCRIPTION	COMMENTS
LT1129	700mA, Micropower, LDO	V_{IN} : 4.2V to 30V, $V_{OUT(MIN)}$ = 3.75V, V_{DO} at I_{OUT} = 0.40V, I_Q = 50 μ A, I_{SD} < 16 μ A, V_{OUT} : Adj, 3.3V, 5V, DD, SOT-223, S8, TO-220, TSSOP20 Packages.
LT1175	500mA, Micropower Negative, LDO	V_{IN} : -20V to -4.3V, $V_{OUT(MIN)}$ = -3.8V, V_{DO} at I_{OUT} = 0.50V, I_Q = 45 μ A, I_{SD} < 10 μ A, V_{OUT} : Adj, -5V, DD, SOT-223, S8, N8 Packages. Guaranteed Voltage Tolerance and Line/Load Regulation
LT1185	3A, Negative LDO	V_{IN} : -35V to -4.2V, $V_{OUT(MIN)}$ = -2.40V, V_{DO} at I_{OUT} = 0.80V, I_Q = 2.5mA, I_{SD} < 1 μ A, V_{OUT} : Adj, 5-Lead TO-220 Package. Accurate Programmable Current Limit, Remote Sense
LT1761	100mA, Low Noise Micropower, LDO	V_{IN} : 1.8V to 20V, $V_{OUT(MIN)}$ = 1.22V, V_{DO} at I_{OUT} = 0.30V, I_Q = 20 μ A, I_{SD} < 1 μ A, V_{OUT} : Adj, 1.5V, 1.8V, 2.5V, 2.8V, 3V, 3.3V 5V, ThinSOT Package. Low Noise < 20 μ V _{RMS} , Stable with 1 μ F Ceramic Capacitors
LT1762	150mA, Low Noise Micropower, LDO	V_{IN} : 1.8V to 20V, $V_{OUT(MIN)}$ = 1.22V, V_{DO} at I_{OUT} = 0.30V, I_Q = 25 μ A, I_{SD} < 1 μ A, V_{OUT} : Adj, 2.5V, 3V, 3.3V, 5V, MS8 Package. Low Noise < 20 μ V _{RMS}
LT1763	500mA, Low Noise Micropower, LDO	V_{IN} : 1.8V to 20V, $V_{OUT(MIN)}$ = 1.22V, V_{DO} at I_{OUT} = 0.30V, I_Q = 30 μ A, I_{SD} < 1 μ A, V_{OUT} : 1.5V, 1.8V, 2.5V, 3V, 3.3V, 5V, S8 Package. Low Noise < 20 μ V _{RMS}
LT1764/LT1764A	3A, Low Noise Fast Transient Response, LDO	V_{IN} : 2.7V to 20V, $V_{OUT(MIN)}$ = 1.21V, V_{DO} at I_{OUT} = 0.34V, I_Q = 1mA, I_{SD} < 1 μ A, V_{OUT} : 1.8V, 2.5V, 3.3V, DD, TO-220 Packages. Low Noise < 40 μ V _{RMS} , "A" Version Stable with Ceramic Capacitors
LTC1844	150mA, Very Low Dropout LDO	V_{IN} : 1.6V to 6.5V, $V_{OUT(MIN)}$ = 1.25V, V_{DO} at I_{OUT} = 0.08V, I_Q = 40 μ A, I_{SD} < 1 μ A, V_{OUT} : Adj, 1.5V, 1.8V, 2.5V, 2.8V, 3.3V, ThinSOT Package. Low Noise < 30 μ V _{RMS} , Stable with 1 μ F Ceramic Capacitors
LT1962	300mA, Low Noise Micropower, LDO	V_{IN} : 1.8V to 20V, $V_{OUT(MIN)}$ = 1.22V, V_{DO} at I_{OUT} = 0.27V, I_Q = 30 μ A, I_{SD} < 1 μ A, V_{OUT} : Adj, 1.5V, 1.8V, 2.5V, 3V, 3.3V, 5V, MS8 Package. Low Noise < 20 μ V _{RMS}
LT1963/LT1963A	1.5A, Low Noise Fast Transient Response, LDO	V_{IN} : 2.1V to 20V, $V_{OUT(MIN)}$ = 1.21V, V_{DO} at I_{OUT} = 0.34V, I_Q = 1mA, I_{SD} < 1 μ A, V_{OUT} : 1.5V, 1.8V, 2.5V, 3.3V, DD, TO-220, SOT223, S8 Packages. Low Noise < 40 μ V _{RMS} , "A" Version Stable with Ceramic Capacitors
LT1964	200mA, Low Noise Micropower, Negative LDO	V_{IN} : -1.6V to -20V, $V_{OUT(MIN)}$ = -1.21V, V_{DO} at I_{OUT} = 0.34V, I_Q = 30 μ A, I_{SD} < 3 μ A, V_{OUT} : Adj, -5V, ThinSOT Package. Low Noise < 30 μ V _{RMS} , Stable with Ceramic Capacitors