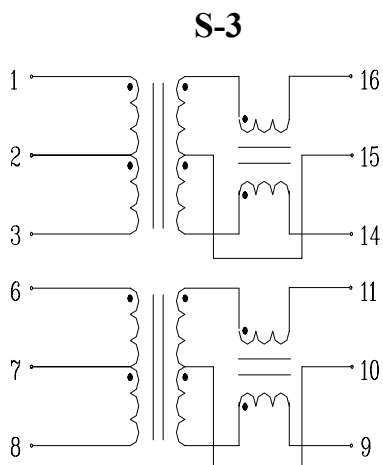
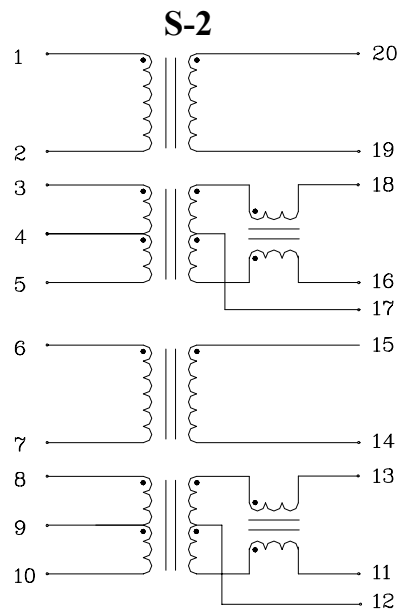
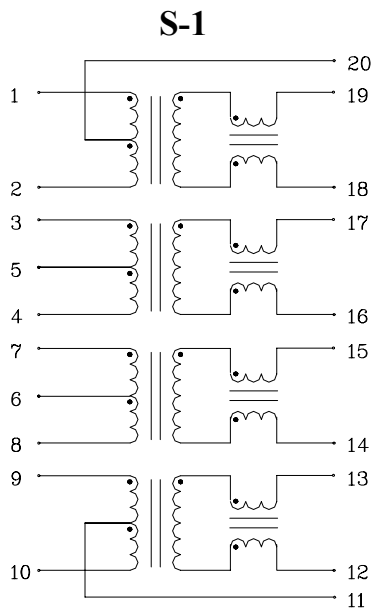


- ◆ Meet IEEE802.3 requirement
- ◆ Meet FCC class B approval.
- ◆ 1500Vrms isolation.

## Specifications

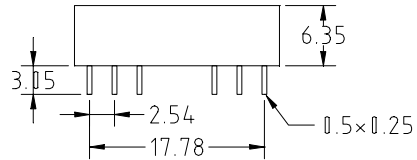
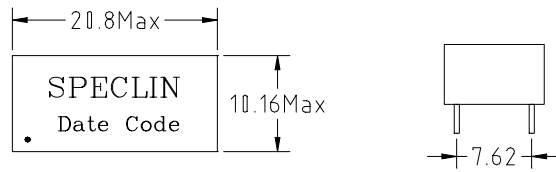
Part No.:	Turn ratio	Lp $\mu$ H min	LL $\mu$ H max	Cww PF max	DCR $\Omega$ max	Dimension	Schematic
LT16P05	2CT:1CT:1CT:1CT	140	0.20	12	0.30	D-1	S-3
LT16P06	1CT:1CT:1CT:1CT	140	0.20	10	0.30	D-1	S-3
LT20P01A	1CT:1/1CT:1/1CT:1/1CT:1	200	0.30	12	0.30	D-2	S-1
LT20P02	1:1/1CT:1.41CT/1:1/1CT:1.41CT	200	0.30	12	0.30	D-2	S-2
LT20P03	1CT:1/2CT:1/2CT:1/1CT:1	100	0.30	12	0.30	D-2	S-1

## Schematic:



Dimension:  $\pm 0.25\text{mm}$

**D-1**



**D-2**

