

## FEATURES

- 12MHz Gain Bandwidth
- 400V/ $\mu$ s Slew Rate
- 1.25mA Maximum Supply Current per Amplifier
- Unity-Gain Stable
- C-Load™ Op Amp Drives All Capacitive Loads
- 10nV/ $\sqrt{\text{Hz}}$  Input Noise Voltage
- 800 $\mu$ V Maximum Input Offset Voltage
- 300nA Maximum Input Bias Current
- 70nA Maximum Input Offset Current
- 12V/mV Minimum DC Gain,  $R_L=1k$
- 230ns Settling Time to 0.1%, 10V Step
- 280ns Settling Time to 0.01%, 10V Step
- $\pm 12.5V$  Minimum Output Swing into 500 $\Omega$
- $\pm 3V$  Minimum Output Swing into 150 $\Omega$
- Specified at  $\pm 2.5V$ ,  $\pm 5V$ , and  $\pm 15V$

## APPLICATIONS

- Wideband Amplifiers
- Buffers
- Active Filters
- Data Acquisition Systems
- Photodiode Amplifiers

## DESCRIPTION

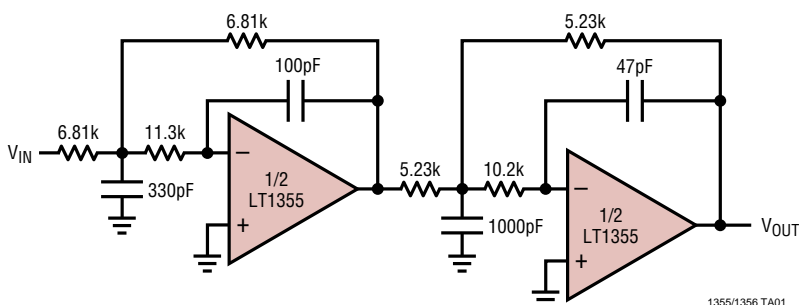
The LT1355/LT1356 are dual and quad low power high speed operational amplifiers with outstanding AC and DC performance. The amplifiers feature much lower supply current and higher slew rate than devices with comparable bandwidth. The circuit topology is a voltage feedback amplifier with matched high impedance inputs and the slewing performance of a current feedback amplifier. The high slew rate and single stage design provide excellent settling characteristics which make the circuit an ideal choice for data acquisition systems. Each output drives a 500 $\Omega$  load to  $\pm 12.5V$  with  $\pm 15V$  supplies and a 150 $\Omega$  load to  $\pm 3V$  on  $\pm 5V$  supplies. The amplifiers are stable with any capacitive load making them useful in buffer applications.

The LT1355/LT1356 are members of a family of fast, high performance amplifiers using this unique topology and employing Linear Technology Corporation's advanced bipolar complementary processing. For a single amplifier version of the LT1355/LT1356 see the LT1354 data sheet. For higher bandwidth devices with higher supply currents see the LT1357 through LT1365 data sheets. Bandwidths of 25MHz, 50MHz, and 70MHz are available with 2mA, 4mA, and 6mA of supply current per amplifier. Singles, duals, and quads of each amplifier are available.

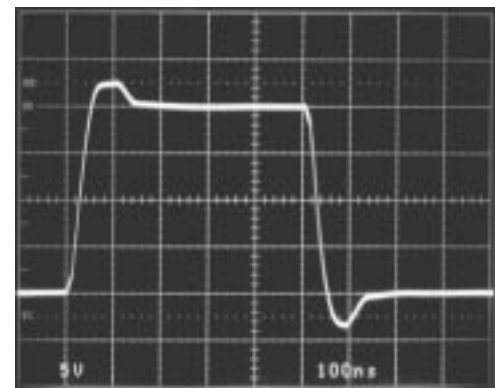
LT, LTC and LT are registered trademarks of Linear Technology Corporation.  
 C-Load is a trademark of Linear Technology Corporation.

## TYPICAL APPLICATION

100kHz, 4th Order Butterworth Filter



$A_V = -1$  Large-Signal Response



1355/1356 TA02

**ABSOLUTE MAXIMUM RATINGS** (Note 1)

|   |                  |  |  |
|---|------------------|--|--|
| Total Supply Voltage ( $V^+$ to $V^-$ ) ..... | 36V              | Operating Temperature Range (Note 7) ..    | $-40^{\circ}\text{C}$ to $85^{\circ}\text{C}$  |
| Differential Input Voltage                    |                  | Specified Temperature Range (Note 8) ...   | $-40^{\circ}\text{C}$ to $85^{\circ}\text{C}$  |
| (Transient Only) (Note 2) .....               | $\pm 10\text{V}$ | Maximum Junction Temperature (See Below)   |  |
| Input Voltage .....                           | $\pm V_S$        | Plastic Package .....                      | $150^{\circ}\text{C}$                          |
| Output Short-Circuit Duration (Note 3) .....  | Indefinite       | Storage Temperature Range .....            | $-65^{\circ}\text{C}$ to $150^{\circ}\text{C}$ |
|   |                  | Lead Temperature (Soldering, 10 sec) ..... | $300^{\circ}\text{C}$                          |

**PACKAGE/ORDER INFORMATION**

|  |   |  |  |
|--|---|--|--|
| <p>TOP VIEW</p> <p>N8 PACKAGE<br/>8-LEAD PDIP</p> <p><math>T_{JMAX} = 150^{\circ}\text{C}</math>, <math>\theta_{JA} = 130^{\circ}\text{C/W}</math></p> | <p>ORDER PART NUMBER</p> <p>LT1355CN8</p> | <p>TOP VIEW</p> <p>S8 PACKAGE<br/>8-LEAD PLASTIC SO</p> <p><math>T_{JMAX} = 150^{\circ}\text{C}</math>, <math>\theta_{JA} = 190^{\circ}\text{C/W}</math></p> | <p>ORDER PART NUMBER</p> <p>LT1355CS8</p> <p>S8 PART MARKING</p> <p>1355</p> |
| <p>TOP VIEW</p> <p>N PACKAGE<br/>14-LEAD PDIP</p> <p><math>T_{JMAX} = 150^{\circ}\text{C}</math>, <math>\theta_{JA} = 110^{\circ}\text{C/W}</math></p> | <p>ORDER PART NUMBER</p> <p>LT1356CN</p>  | <p>TOP VIEW</p> <p>S PACKAGE<br/>16-LEAD PLASTIC SO</p> <p><math>T_{JMAX} = 150^{\circ}\text{C}</math>, <math>\theta_{JA} = 150^{\circ}\text{C/W}</math></p> | <p>ORDER PART NUMBER</p> <p>LT1356CS</p>                                     |

Consult factory for Industrial and Military grade parts.

**ELECTRICAL CHARACTERISTICS**  $T_A = 25^{\circ}\text{C}$ ,  $V_{CM} = 0\text{V}$  unless otherwise noted.

| SYMBOL   | PARAMETER            | CONDITIONS                | $V_{SUPPLY}$                          | MIN | TYP | MAX | UNITS                        |
|----------|----------------------|---------------------------|---------------------------------------|-----|-----|-----|------------------------------|
| $V_{OS}$ | Input Offset Voltage |                           | $\pm 15\text{V}$                      | 0.3 | 0.8 |     | mV                           |
|          |                      |                           | $\pm 5\text{V}$                       | 0.3 | 0.8 |     | mV                           |
|          |                      |                           | $\pm 2.5\text{V}$                     | 0.4 | 1.0 |     | mV                           |
| $I_{OS}$ | Input Offset Current |                           | $\pm 2.5\text{V}$ to $\pm 15\text{V}$ | 20  | 70  |     | nA                           |
| $I_B$    | Input Bias Current   |                           | $\pm 2.5\text{V}$ to $\pm 15\text{V}$ | 80  | 300 |     | nA                           |
| $e_n$    | Input Noise Voltage  | $f = 10\text{kHz}$        | $\pm 2.5\text{V}$ to $\pm 15\text{V}$ |     | 10  |     | $\text{nV}/\sqrt{\text{Hz}}$ |
| $i_n$    | Input Noise Current  | $f = 10\text{kHz}$        | $\pm 2.5\text{V}$ to $\pm 15\text{V}$ |     | 0.6 |     | $\text{pA}/\sqrt{\text{Hz}}$ |
| $R_{IN}$ | Input Resistance     | $V_{CM} = \pm 12\text{V}$ | $\pm 15\text{V}$                      | 70  | 160 |     | $\text{M}\Omega$             |
|          |                      | Differential              | $\pm 15\text{V}$                      |     | 11  |     | $\text{M}\Omega$             |
| $C_{IN}$ | Input Capacitance    |                           | $\pm 15\text{V}$                      |     | 3   |     | pF                           |

**ELECTRICAL CHARACTERISTICS**  $T_A = 25^\circ\text{C}$ ,  $V_{CM} = 0\text{V}$  unless otherwise noted.

| SYMBOL        | PARAMETER                        | CONDITIONS   | $V_{SUPPLY}$      | MIN  | TYP   | MAX   | UNITS            |
|---------------|----------------------------------|--|-------------------|------|-------|-------|------------------|
|               | Input Voltage Range <sup>+</sup> |  | $\pm 15\text{V}$  | 12.0 | 13.4  |       | V                |
|               |                                  |  | $\pm 5\text{V}$   | 2.5  | 3.5   |       | V                |
|               |                                  |  | $\pm 2.5\text{V}$ | 0.5  | 1.1   |       | V                |
|               | Input Voltage Range <sup>-</sup> |  | $\pm 15\text{V}$  |      | -13.2 | -12.0 | V                |
|               |                                  |  | $\pm 5\text{V}$   |      | -3.4  | -2.5  | V                |
|               |                                  |  | $\pm 2.5\text{V}$ |      | -0.9  | -0.5  | V                |
| CMRR          | Common Mode Rejection Ratio      | $V_{CM} = \pm 12\text{V}$                            | $\pm 15\text{V}$  | 83   | 97    |       | dB               |
|               |                                  | $V_{CM} = \pm 2.5\text{V}$                           | $\pm 5\text{V}$   | 78   | 84    |       | dB               |
|               |                                  | $V_{CM} = \pm 0.5\text{V}$                           | $\pm 2.5\text{V}$ | 68   | 75    |       | dB               |
| PSRR          | Power Supply Rejection Ratio     | $V_S = \pm 2.5\text{V}$ to $\pm 15\text{V}$          |                   | 92   | 106   |       | dB               |
| $A_{VOL}$     | Large-Signal Voltage Gain        | $V_{OUT} = \pm 12\text{V}$ , $R_L = 1\text{k}$       | $\pm 15\text{V}$  | 12   | 36    |       | V/mV             |
|               |                                  | $V_{OUT} = \pm 10\text{V}$ , $R_L = 500\Omega$       | $\pm 15\text{V}$  | 5    | 15    |       | V/mV             |
|               |                                  | $V_{OUT} = \pm 2.5\text{V}$ , $R_L = 1\text{k}$      | $\pm 5\text{V}$   | 12   | 36    |       | V/mV             |
|               |                                  | $V_{OUT} = \pm 2.5\text{V}$ , $R_L = 500\Omega$      | $\pm 5\text{V}$   | 5    | 15    |       | V/mV             |
|               |                                  | $V_{OUT} = \pm 2.5\text{V}$ , $R_L = 150\Omega$      | $\pm 5\text{V}$   | 1    | 4     |       | V/mV             |
|               |                                  | $V_{OUT} = \pm 1\text{V}$ , $R_L = 500\Omega$        | $\pm 2.5\text{V}$ | 5    | 20    |       | V/mV             |
| $V_{OUT}$     | Output Swing                     | $R_L = 1\text{k}$ , $V_{IN} = \pm 40\text{mV}$       | $\pm 15\text{V}$  | 13.3 | 13.8  |       | $\pm\text{V}$    |
|               |                                  | $R_L = 500\Omega$ , $V_{IN} = \pm 40\text{mV}$       | $\pm 15\text{V}$  | 12.5 | 13.0  |       | $\pm\text{V}$    |
|               |                                  | $R_L = 500\Omega$ , $V_{IN} = \pm 40\text{mV}$       | $\pm 5\text{V}$   | 3.5  | 4.0   |       | $\pm\text{V}$    |
|               |                                  | $R_L = 150\Omega$ , $V_{IN} = \pm 40\text{mV}$       | $\pm 5\text{V}$   | 3.0  | 3.3   |       | $\pm\text{V}$    |
|               |                                  | $R_L = 500\Omega$ , $V_{IN} = \pm 40\text{mV}$       | $\pm 2.5\text{V}$ | 1.3  | 1.7   |       | $\pm\text{V}$    |
| $I_{OUT}$     | Output Current                   | $V_{OUT} = \pm 12.5\text{V}$                         | $\pm 15\text{V}$  | 25   | 30    |       | mA               |
|               |                                  | $V_{OUT} = \pm 3\text{V}$                            | $\pm 5\text{V}$   | 20   | 25    |       | mA               |
| $I_{SC}$      | Short-Circuit Current            | $V_{OUT} = 0\text{V}$ , $V_{IN} = \pm 3\text{V}$     | $\pm 15\text{V}$  | 30   | 42    |       | mA               |
| SR            | Slew Rate                        | $A_V = -2$ , (Note 4)                                | $\pm 15\text{V}$  | 200  | 400   |       | V/ $\mu\text{s}$ |
|               |                                  |  | $\pm 5\text{V}$   | 70   | 120   |       | V/ $\mu\text{s}$ |
|               | Full Power Bandwidth             | 10V Peak, (Note 5)                                   | $\pm 15\text{V}$  |      | 6.4   |       | MHz              |
|               |                                  | 3V Peak, (Note 5)                                    | $\pm 5\text{V}$   |      | 6.4   |       | MHz              |
| GBW           | Gain Bandwidth                   | $f = 200\text{kHz}$ , $R_L = 2\text{k}$              | $\pm 15\text{V}$  | 9.0  | 12.0  |       | MHz              |
|               |                                  |  | $\pm 5\text{V}$   | 7.5  | 10.5  |       | MHz              |
|               |                                  |  | $\pm 2.5\text{V}$ |      | 9.0   |       | MHz              |
| $t_r$ , $t_f$ | Rise Time, Fall Time             | $A_V = 1$ , 10%-90%, 0.1V                            | $\pm 15\text{V}$  |      | 14    |       | ns               |
|               |                                  |  | $\pm 5\text{V}$   |      | 17    |       | ns               |
|               | Overshoot                        | $A_V = 1$ , 0.1V                                     | $\pm 15\text{V}$  |      | 20    |       | %                |
|               |                                  |  | $\pm 5\text{V}$   |      | 18    |       | %                |
|               | Propagation Delay                | 50% $V_{IN}$ to 50% $V_{OUT}$ , 0.1V                 | $\pm 15\text{V}$  |      | 16    |       | ns               |
|               |                                  |  | $\pm 5\text{V}$   |      | 19    |       | ns               |
| $t_s$         | Settling Time                    | 10V Step, 0.1%, $A_V = -1$                           | $\pm 15\text{V}$  |      | 230   |       | ns               |
|               |                                  |  | $\pm 15\text{V}$  |      | 280   |       | ns               |
|               |                                  |  | $\pm 5\text{V}$   |      | 240   |       | ns               |
|               |                                  |  | $\pm 5\text{V}$   |      | 380   |       | ns               |
|               | Differential Gain                | $f = 3.58\text{MHz}$ , $A_V = 2$ , $R_L = 1\text{k}$ | $\pm 15\text{V}$  |      | 2.2   |       | %                |
|               |                                  |  | $\pm 5\text{V}$   |      | 2.1   |       | %                |
|               | Differential Phase               | $f = 3.58\text{MHz}$ , $A_V = 2$ , $R_L = 1\text{k}$ | $\pm 15\text{V}$  |      | 3.1   |       | Deg              |
|               |                                  |  | $\pm 5\text{V}$   |      | 3.1   |       | Deg              |
| $R_O$         | Output Resistance                | $A_V = 1$ , $f = 100\text{kHz}$                      | $\pm 15\text{V}$  |      | 0.7   |       | $\Omega$         |
|               | Channel Separation               | $V_{OUT} = \pm 10\text{V}$ , $R_L = 500\Omega$       | $\pm 15\text{V}$  | 100  | 113   |       | dB               |
| $I_S$         | Supply Current                   | Each Amplifier                                       | $\pm 15\text{V}$  |      | 1.0   | 1.25  | mA               |
|               |                                  |  | $\pm 5\text{V}$   |      | 0.9   | 1.20  | mA               |

**ELECTRICAL CHARACTERISTICS** The ● denotes the specifications which apply over the temperature range 0°C ≤ T<sub>A</sub> ≤ 70°C, V<sub>CM</sub> = 0V unless otherwise noted.

| SYMBOL           | PARAMETER                    | CONDITIONS   | V <sub>SUPPLY</sub> | MIN | TYP  | MAX  | UNITS |
|------------------|------------------------------|--|---------------------|-----|------|------|-------|
| V <sub>OS</sub>  | Input Offset Voltage         |  | ±15V                | ●   |      | 1.0  | mV    |
|                  |                              |  | ±5V                 | ●   |      | 1.0  | mV    |
|                  |                              |  | ±2.5V               | ●   |      | 1.2  | mV    |
|                  | Input V <sub>OS</sub> Drift  | (Note 6)   | ±2.5V to ±15V       | ●   | 5    | 8    | μV/°C |
| I <sub>OS</sub>  | Input Offset Current         |  | ±2.5V to ±15V       | ●   |      | 100  | nA    |
| I <sub>B</sub>   | Input Bias Current           |  | ±2.5V to ±15V       | ●   |      | 450  | nA    |
| CMRR             | Common Mode Rejection Ratio  | V <sub>CM</sub> = ±12V<br>V <sub>CM</sub> = ±2.5V<br>V <sub>CM</sub> = ±0.5V   | ±15V                | ●   | 81   |      | dB    |
|                  |                              |  | ±5V                 | ●   | 77   |      | dB    |
|                  |                              |  | ±2.5V               | ●   | 67   |      | dB    |
| PSRR             | Power Supply Rejection Ratio | V <sub>S</sub> = ±2.5V to ±15V   |                     | ●   | 90   |      | dB    |
| A <sub>VOL</sub> | Large-Signal Voltage Gain    | V <sub>OUT</sub> = ±12V, R <sub>L</sub> = 1k<br>V <sub>OUT</sub> = ±10V, R <sub>L</sub> = 500Ω<br>V <sub>OUT</sub> = ±2.5V, R <sub>L</sub> = 1k<br>V <sub>OUT</sub> = ±2.5V, R <sub>L</sub> = 500Ω<br>V <sub>OUT</sub> = ±2.5V, R <sub>L</sub> = 150Ω<br>V <sub>OUT</sub> = ±1V, R <sub>L</sub> = 500Ω | ±15V                | ●   | 10.0 |      | V/mV  |
|                  |                              |  | ±15V                | ●   | 3.3  |      | V/mV  |
|                  |                              |  | ±5V                 | ●   | 10.0 |      | V/mV  |
|                  |                              |  | ±5V                 | ●   | 3.3  |      | V/mV  |
|                  |                              |  | ±5V                 | ●   | 0.6  |      | V/mV  |
|                  |                              |  | ±2.5V               | ●   | 3.3  |      | V/mV  |
| V <sub>OUT</sub> | Output Swing                 | R <sub>L</sub> = 1k, V <sub>IN</sub> = ±40mV<br>R <sub>L</sub> = 500Ω, V <sub>IN</sub> = ±40mV<br>R <sub>L</sub> = 500Ω, V <sub>IN</sub> = ±40mV<br>R <sub>L</sub> = 150Ω, V <sub>IN</sub> = ±40mV<br>R <sub>L</sub> = 500Ω, V <sub>IN</sub> = ±40mV   | ±15V                | ●   | 13.2 |      | ±V    |
|                  |                              |  | ±15V                | ●   | 12.0 |      | ±V    |
|                  |                              |  | ±5V                 | ●   | 3.4  |      | ±V    |
|                  |                              |  | ±5V                 | ●   | 2.8  |      | ±V    |
|                  |                              |  | ±2.5V               | ●   | 1.2  |      | ±V    |
| I <sub>OUT</sub> | Output Current               | V <sub>OUT</sub> = ±12V<br>V <sub>OUT</sub> = ±2.8V  | ±15V                | ●   | 24.0 |      | mA    |
|                  |                              |  | ±5V                 | ●   | 18.7 |      | mA    |
| I <sub>SC</sub>  | Short-Circuit Current        | V <sub>OUT</sub> = 0V, V <sub>IN</sub> = ±3V   | ±15V                | ●   | 24   |      | mA    |
| SR               | Slew Rate                    | A <sub>V</sub> = -2, (Note 4)  | ±15V                | ●   | 150  |      | V/μs  |
|                  |                              |  | ±5V                 | ●   | 60   |      | V/μs  |
| GBW              | Gain Bandwidth               | f = 200kHz, R <sub>L</sub> = 2k  | ±15V                | ●   | 7.5  |      | MHz   |
|                  |                              |  | ±5V                 | ●   | 6.0  |      | MHz   |
|                  | Channel Separation           | V <sub>OUT</sub> = ±10V, R <sub>L</sub> = 500Ω   | ±15V                | ●   | 98   |      | dB    |
| I <sub>S</sub>   | Supply Current               | Each Amplifier<br>Each Amplifier   | ±15V                | ●   |      | 1.45 | mA    |
|                  |                              |  | ±5V                 | ●   |      | 1.40 | mA    |

The ● denotes the specifications which apply over the temperature range -40°C ≤ T<sub>A</sub> ≤ 85°C, V<sub>CM</sub> = 0V unless otherwise noted. (Note 8)

| SYMBOL           | PARAMETER                    | CONDITIONS   | V <sub>SUPPLY</sub> | MIN | TYP | MAX | UNITS |
|------------------|------------------------------|--|---------------------|-----|-----|-----|-------|
| V <sub>OS</sub>  | Input Offset Voltage         |  | ±15V                | ●   |     | 1.5 | mV    |
|                  |                              |  | ±5V                 | ●   |     | 1.5 | mV    |
|                  |                              |  | ±2.5V               | ●   |     | 1.7 | mV    |
|                  | Input V <sub>OS</sub> Drift  | (Note 6)   | ±2.5V to ±15V       | ●   | 5   | 8   | μV/°C |
| I <sub>OS</sub>  | Input Offset Current         |  | ±2.5V to ±15V       | ●   |     | 200 | nA    |
| I <sub>B</sub>   | Input Bias Current           |  | ±2.5V to ±15V       | ●   |     | 550 | nA    |
| CMRR             | Common Mode Rejection Ratio  | V <sub>CM</sub> = ±12V<br>V <sub>CM</sub> = ±2.5V<br>V <sub>CM</sub> = ±0.5V   | ±15V                | ●   | 80  |     | dB    |
|                  |                              |  | ±5V                 | ●   | 76  |     | dB    |
|                  |                              |  | ±2.5V               | ●   | 66  |     | dB    |
| PSRR             | Power Supply Rejection Ratio | V <sub>S</sub> = ±2.5V to ±15V   |                     | ●   | 90  |     | dB    |
| A <sub>VOL</sub> | Large-Signal Voltage Gain    | V <sub>OUT</sub> = ±12V, R <sub>L</sub> = 1k<br>V <sub>OUT</sub> = ±10V, R <sub>L</sub> = 500Ω<br>V <sub>OUT</sub> = ±2.5V, R <sub>L</sub> = 1k<br>V <sub>OUT</sub> = ±2.5V, R <sub>L</sub> = 500Ω | ±15V                | ●   | 7.0 |     | V/mV  |
|                  |                              |  | ±15V                | ●   | 1.7 |     | V/mV  |
|                  |                              |  | ±5V                 | ●   | 7.0 |     | V/mV  |
|                  |                              |  | ±5V                 | ●   | 1.7 |     | V/mV  |

**ELECTRICAL CHARACTERISTICS** The ● denotes the specifications which apply over the temperature range  $-40^{\circ}\text{C} \leq T_A \leq 85^{\circ}\text{C}$ ,  $V_{\text{CM}} = 0\text{V}$  unless otherwise noted. (Note 8)

| SYMBOL           | PARAMETER             | CONDITIONS   | $V_{\text{SUPPLY}}$ | MIN    | TYP | MAX  | UNITS            |
|------------------|-----------------------|--|---------------------|--------|-----|------|------------------|
| $V_{\text{OUT}}$ | Output Swing          | $V_{\text{OUT}} = \pm 2.5\text{V}$ , $R_L = 150\Omega$         | $\pm 5\text{V}$     | ● 0.4  |     |      | V/mV             |
|                  |                       | $V_{\text{OUT}} = \pm 1\text{V}$ , $R_L = 500\Omega$           | $\pm 2.5\text{V}$   | ● 1.7  |     |      | V/mV             |
| $V_{\text{OUT}}$ | Output Swing          | $R_L = 1\text{k}$ , $V_{\text{IN}} = \pm 40\text{mV}$          | $\pm 15\text{V}$    | ● 13.0 |     |      | $\pm\text{V}$    |
|                  |                       | $R_L = 500\Omega$ , $V_{\text{IN}} = \pm 40\text{mV}$          | $\pm 15\text{V}$    | ● 11.5 |     |      | $\pm\text{V}$    |
|                  |                       | $R_L = 500\Omega$ , $V_{\text{IN}} = \pm 40\text{mV}$          | $\pm 5\text{V}$     | ● 3.4  |     |      | $\pm\text{V}$    |
|                  |                       | $R_L = 150\Omega$ , $V_{\text{IN}} = \pm 40\text{mV}$          | $\pm 5\text{V}$     | ● 2.6  |     |      | $\pm\text{V}$    |
|                  |                       | $R_L = 500\Omega$ , $V_{\text{IN}} = \pm 40\text{mV}$          | $\pm 2.5\text{V}$   | ● 1.2  |     |      | $\pm\text{V}$    |
| $I_{\text{OUT}}$ | Output Current        | $V_{\text{OUT}} = \pm 11.5\text{V}$                            | $\pm 15\text{V}$    | ● 23.0 |     |      | mA               |
|                  |                       | $V_{\text{OUT}} = \pm 2.6\text{V}$                             | $\pm 5\text{V}$     | ● 17.3 |     |      | mA               |
| $I_{\text{SC}}$  | Short-Circuit Current | $V_{\text{OUT}} = 0\text{V}$ , $V_{\text{IN}} = \pm 3\text{V}$ | $\pm 15\text{V}$    | ● 23   |     |      | mA               |
| SR               | Slew Rate             | $A_V = -2$ , (Note 4)  | $\pm 15\text{V}$    | ● 120  |     |      | V/ $\mu\text{s}$ |
|                  |                       |  | $\pm 5\text{V}$     | ● 50   |     |      | V/ $\mu\text{s}$ |
| GBW              | Gain Bandwidth        | $f = 200\text{kHz}$ , $R_L = 2\text{k}$                        | $\pm 15\text{V}$    | ● 7.0  |     |      | MHz              |
|                  |                       |  | $\pm 5\text{V}$     | ● 5.5  |     |      | MHz              |
|                  | Channel Separation    | $V_{\text{OUT}} = \pm 10\text{V}$ , $R_L = 500\Omega$          | $\pm 15\text{V}$    | ● 98   |     |      | dB               |
| $I_S$            | Supply Current        | Each Amplifier   | $\pm 15\text{V}$    | ●      |     | 1.50 | mA               |
|                  |                       | Each Amplifier   | $\pm 5\text{V}$     | ●      |     | 1.45 | mA               |

**Note 1:** Absolute Maximum Ratings are those values beyond which the life of a device may be impaired.

**Note 2:** Differential inputs of  $\pm 10\text{V}$  are appropriate for transient operation only, such as during slewing. Large, sustained differential inputs will cause excessive power dissipation and may damage the part. See Input Considerations in the Applications Information section of this data sheet for more details.

**Note 3:** A heat sink may be required to keep the junction temperature below absolute maximum when the output is shorted indefinitely.

**Note 4:** Slew rate is measured between  $\pm 10\text{V}$  on the output with  $\pm 6\text{V}$  input for  $\pm 15\text{V}$  supplies and  $\pm 1\text{V}$  on the output with  $\pm 1.75\text{V}$  input for  $\pm 5\text{V}$  supplies.

**Note 5:** Full power bandwidth is calculated from the slew rate measurement:  $\text{FPBW} = (\text{SR})/2\pi V_P$ .

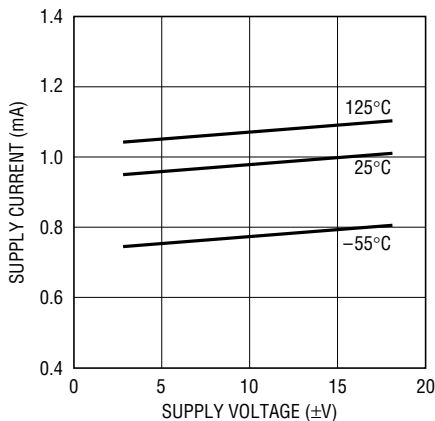
**Note 6:** This parameter is not 100% tested.

**Note 7:** The LT1355C/LT1356C are guaranteed functional over the operating temperature range of  $-40^{\circ}\text{C}$  to  $85^{\circ}\text{C}$ .

**Note 8:** The LT1355C/LT1356C are guaranteed to meet specified performance from  $0^{\circ}\text{C}$  to  $70^{\circ}\text{C}$ . The LT1355C/LT1356C are designed, characterized and expected to meet specified performance from  $-40^{\circ}\text{C}$  to  $85^{\circ}\text{C}$ , but are not tested or QA sampled at these temperatures. For guaranteed I-grade parts, consult the factory.

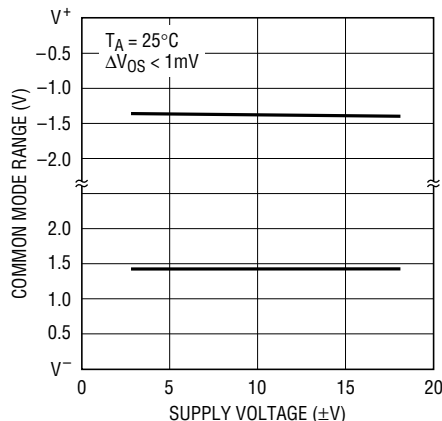
**TYPICAL PERFORMANCE CHARACTERISTICS**

Supply Current vs Supply Voltage and Temperature



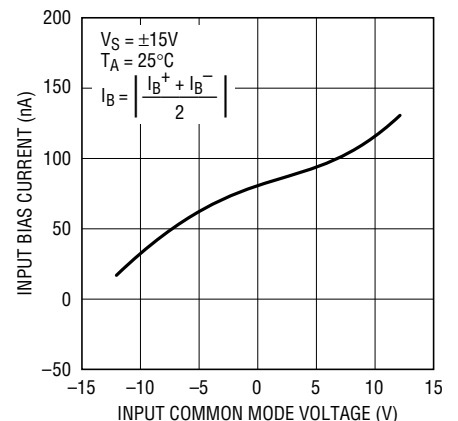
1355/1356 G01

Input Common Mode Range vs Supply Voltage



1355/1356 G02

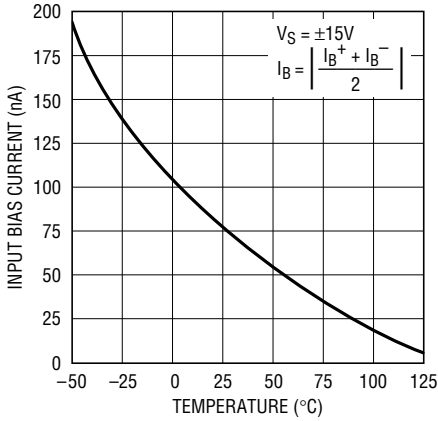
Input Bias Current vs Input Common Mode Voltage



1355/1356 G03

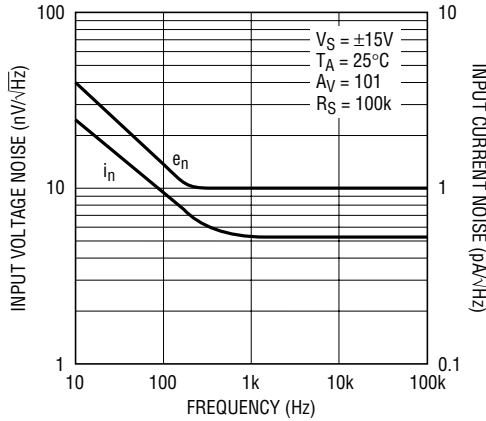
# TYPICAL PERFORMANCE CHARACTERISTICS

**Input Bias Current vs Temperature**



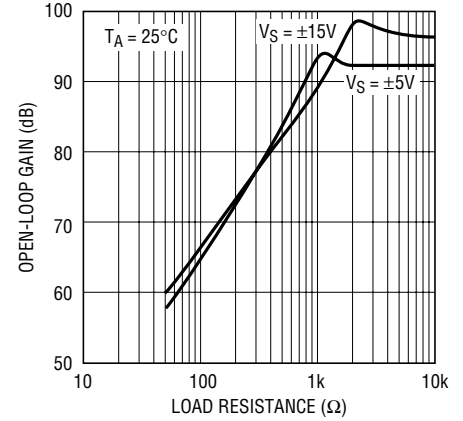
1355/1356 G04

**Input Noise Spectral Density**



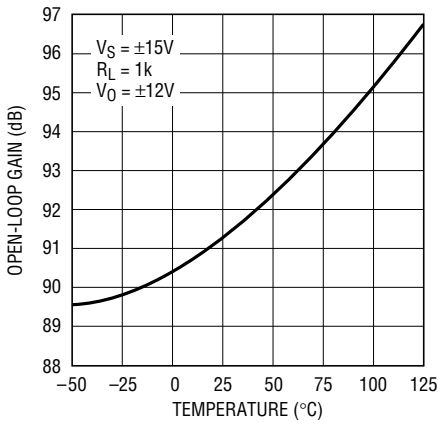
1355/1356 G05

**Open-Loop Gain vs Resistive Load**



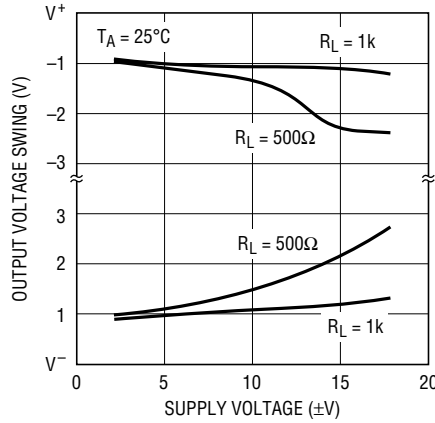
1355/1356 G06

**Open-Loop Gain vs Temperature**



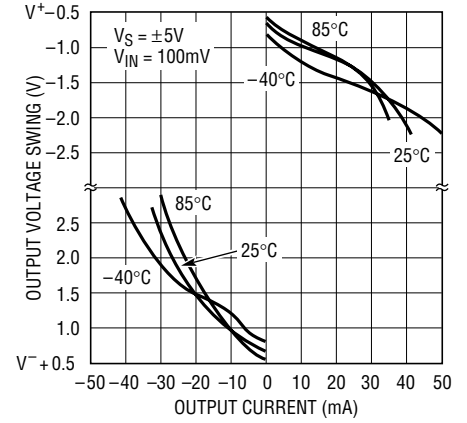
1355/1356 G07

**Output Voltage Swing vs Supply Voltage**



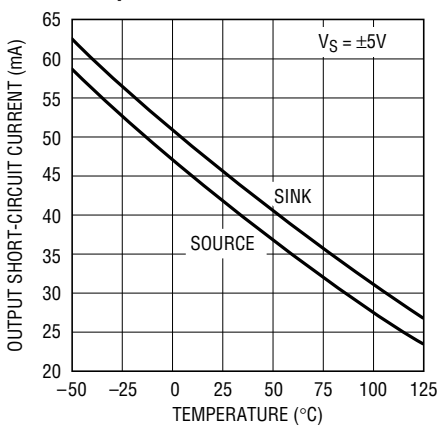
1355/1356 G08

**Output Voltage Swing vs Load Current**



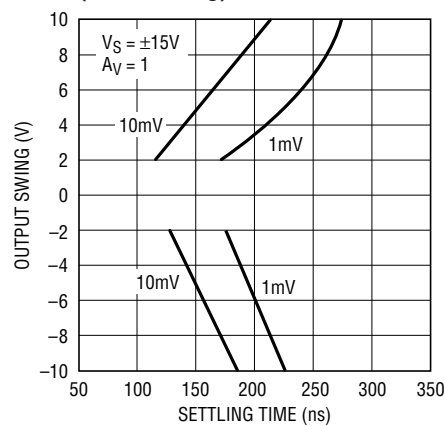
1355/1356 G09

**Output Short-Circuit Current vs Temperature**



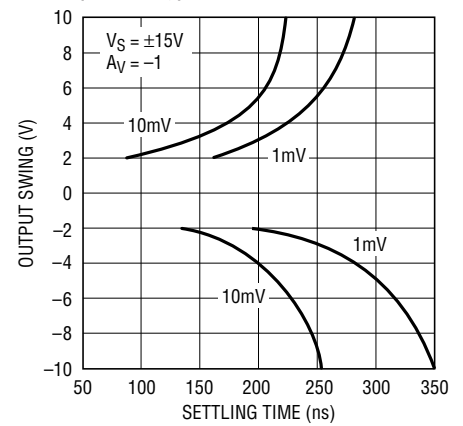
1355/1356 G10

**Settling Time vs Output Step (Noninverting)**



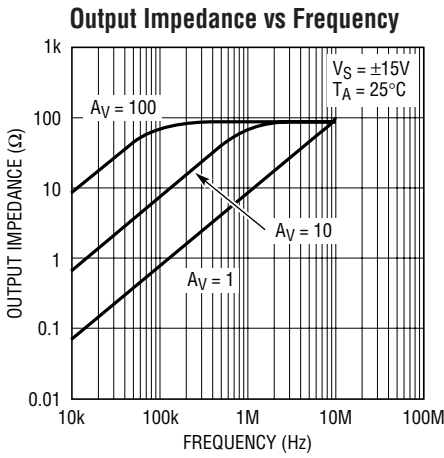
1355/1356 G11

**Settling Time vs Output Step (Inverting)**

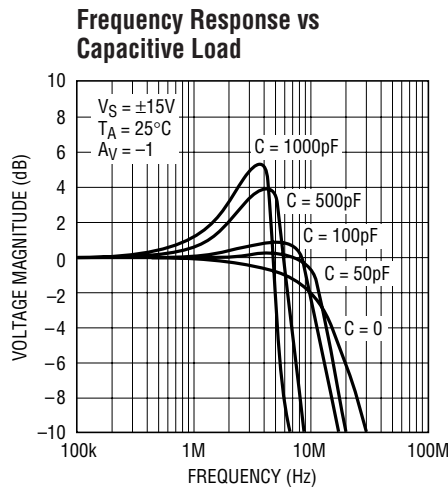


1355/1356 G12

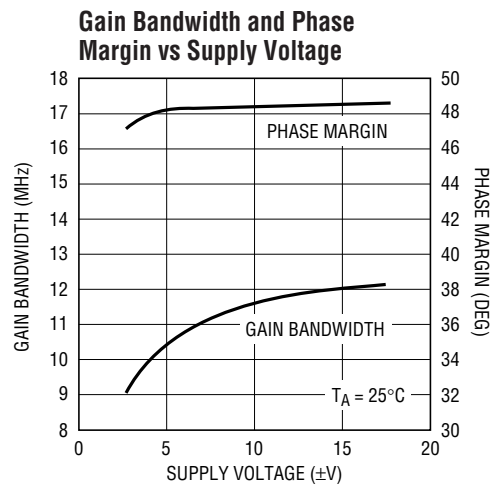
# TYPICAL PERFORMANCE CHARACTERISTICS



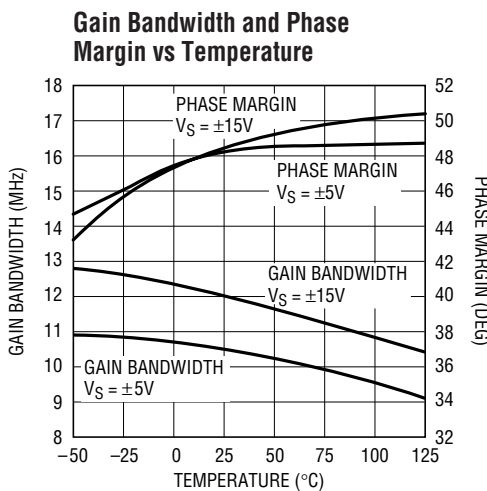
1355/1356 G13



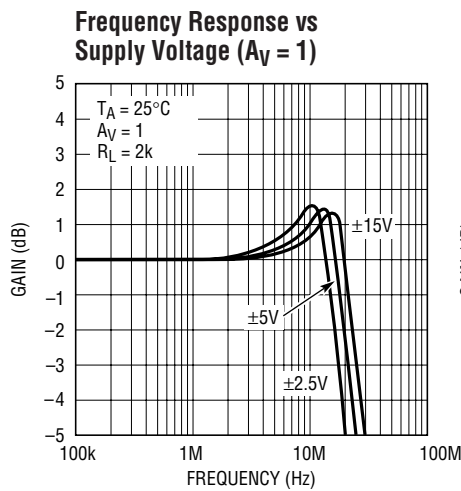
1355/1356 G19



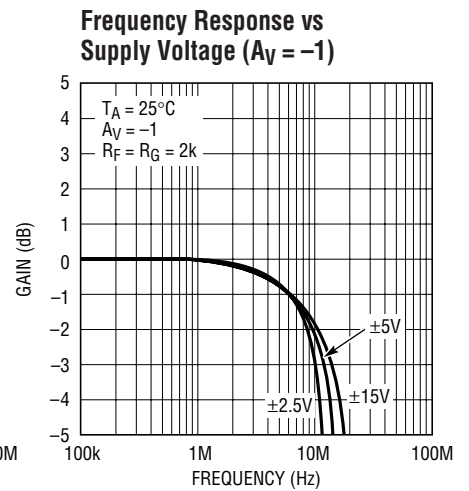
1355/1356 G15



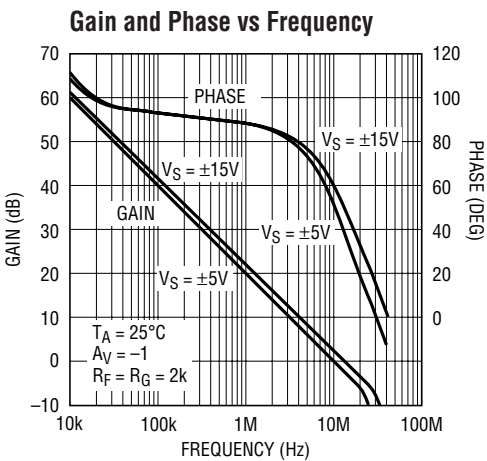
1355/1356 G16



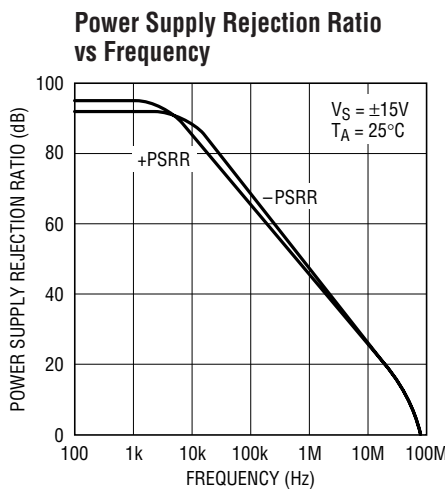
1355/1356 G17



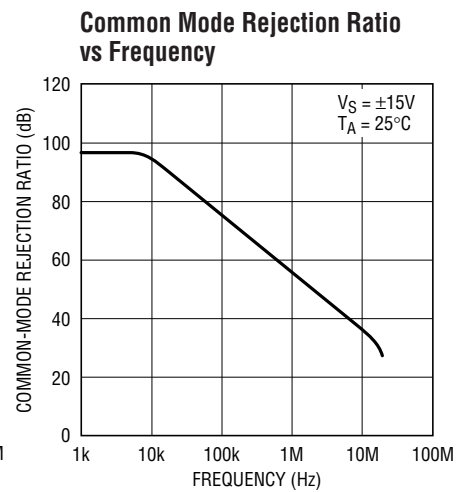
1355/1356 G18



1355/1356 G14



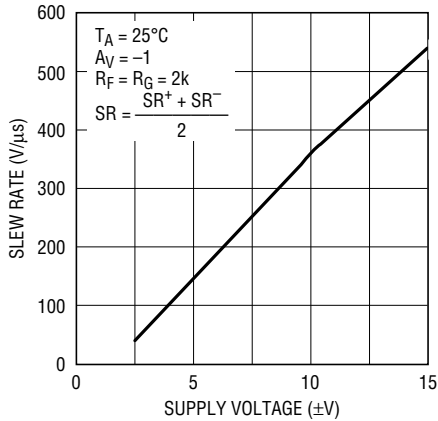
1355/1356 G20



1355/1356 G21

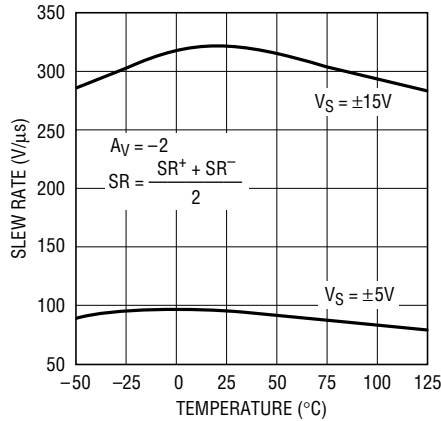
# TYPICAL PERFORMANCE CHARACTERISTICS

**Slew Rate vs Supply Voltage**



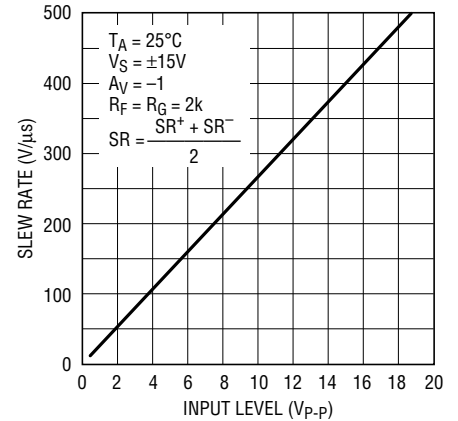
1355/1356 G22

**Slew Rate vs Temperature**



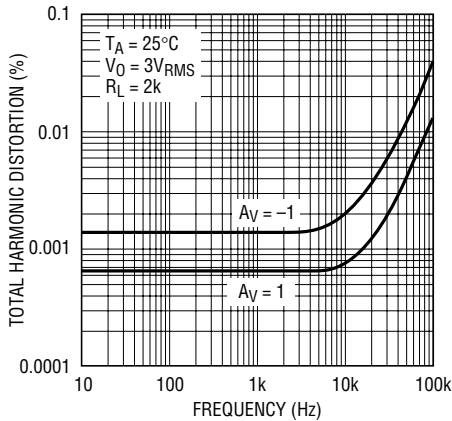
1355/1356 G23

**Slew Rate vs Input Level**



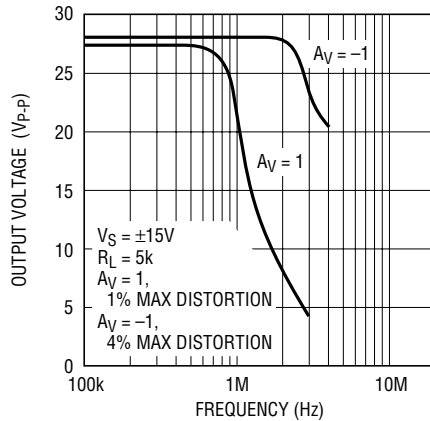
1355/1356 G24

**Total Harmonic Distortion vs Frequency**



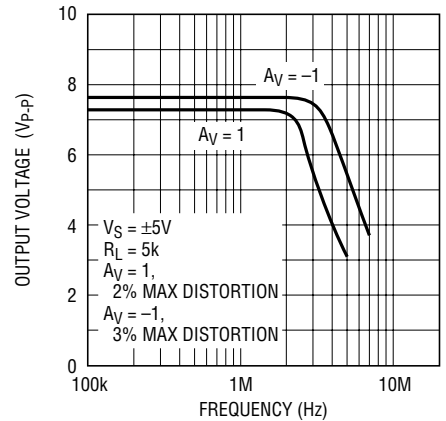
1355/1356 G25

**Undistorted Output Swing vs Frequency (±15V)**



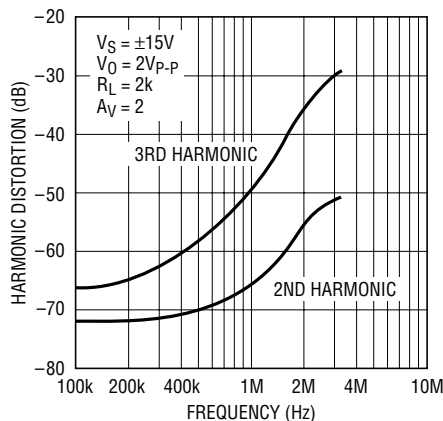
1355/1356 G26

**Undistorted Output Swing vs Frequency (±5V)**



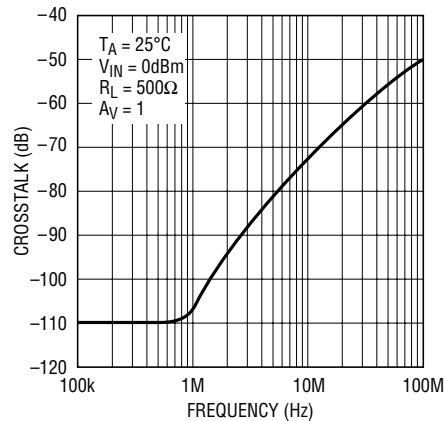
1355/1356 G27

**2nd and 3rd Harmonic Distortion vs Frequency**



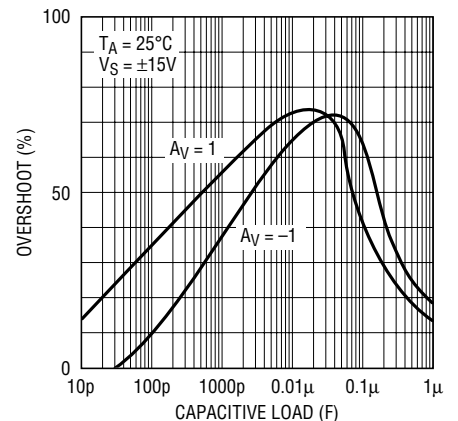
1355/1356 G28

**Crosstalk vs Frequency**



1355/1356 G29

**Capacitive Load Handling**

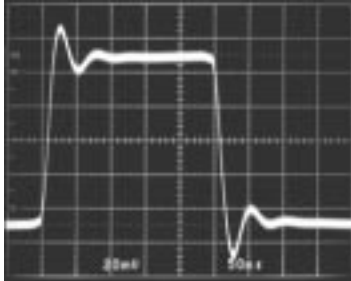


1355/1356 G30



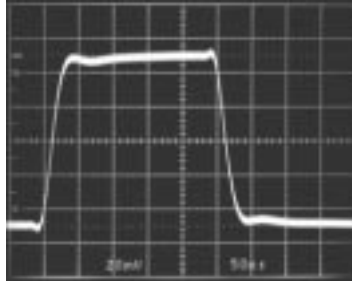
## TYPICAL PERFORMANCE CHARACTERISTICS

Small-Signal Transient  
( $A_V = 1$ )



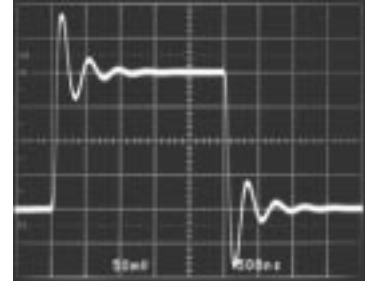
1355/1356 G31

Small-Signal Transient  
( $A_V = -1$ )



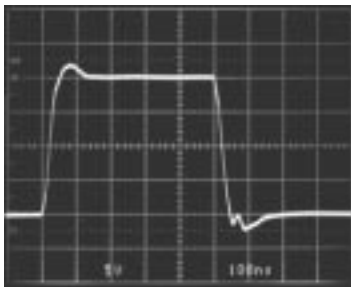
1355/1356 G32

Small-Signal Transient  
( $A_V = -1, C_L = 1000\text{pF}$ )



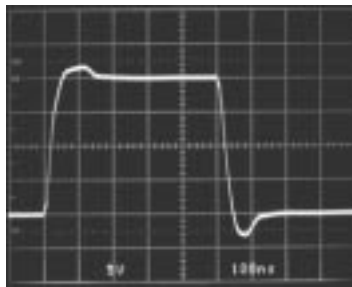
1355/1356 G33

Large-Signal Transient  
( $A_V = 1$ )



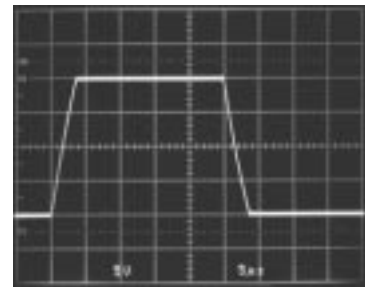
1355/1356 G34

Large-Signal Transient  
( $A_V = -1$ )



1355/1356 G35

Large-Signal Transient  
( $A_V = 1, C_L = 10,000\text{pF}$ )



1355/1356 G36

## APPLICATIONS INFORMATION

### Layout and Passive Components

The LT1355/LT1356 amplifiers are easy to use and tolerant of less than ideal layouts. For maximum performance (for example, fast 0.01% settling) use a ground plane, short lead lengths, and RF-quality bypass capacitors (0.01 $\mu\text{F}$  to 0.1 $\mu\text{F}$ ). For high drive current applications use low ESR bypass capacitors (1 $\mu\text{F}$  to 10 $\mu\text{F}$  tantalum).

The parallel combination of the feedback resistor and gain setting resistor on the inverting input combine with the input capacitance to form a pole which can cause peaking

or oscillations. If feedback resistors greater than 5k $\Omega$  are used, a parallel capacitor of value

$$C_F > R_G \times C_{IN}/R_F$$

should be used to cancel the input pole and optimize dynamic performance. For unity-gain applications where a large feedback resistor is used,  $C_F$  should be greater than or equal to  $C_{IN}$ .

## APPLICATIONS INFORMATION

### Capacitive Loading

The LT1355/LT1356 are stable with any capacitive load. As the capacitive load increases, both the bandwidth and phase margin decrease so there will be peaking in the frequency domain and in the transient response. Coaxial cable can be driven directly, but for best pulse fidelity a resistor of value equal to the characteristic impedance of the cable (i.e.,  $75\Omega$ ) should be placed in series with the output. The other end of the cable should be terminated with the same value resistor to ground.

### Input Considerations

Each of the LT1355/LT1356 inputs is the base of an NPN and a PNP transistor whose base currents are of opposite polarity and provide first-order bias current cancellation. Because of variation in the matching of NPN and PNP beta, the polarity of the input bias current can be positive or negative. The offset current does not depend on NPN/PNP beta matching and is well controlled. The use of balanced source resistance at each input is recommended for applications where DC accuracy must be maximized.

The inputs can withstand transient differential input voltages up to 10V without damage and need no clamping or source resistance for protection. Differential inputs, however, generate large supply currents (tens of mA) as required for high slew rates. If the device is used with sustained differential inputs, the average supply current will increase, excessive power dissipation will result and the part may be damaged. **The part should not be used as a comparator, peak detector or other open-loop application with large, sustained differential inputs.** Under normal, closed-loop operation, an increase of power dissipation is only noticeable in applications with large slewing outputs and is proportional to the magnitude of the differential input voltage and the percent of the time that the inputs are apart. Measure the average supply current for the application in order to calculate the power dissipation.

### Circuit Operation

The LT1355/LT1356 circuit topology is a true voltage feedback amplifier that has the slewing behavior of a current feedback amplifier. The operation of the circuit can be understood by referring to the simplified schematic. The inputs are buffered by complementary NPN and PNP emitter followers which drive an  $800\Omega$  resistor. The input voltage appears across the resistor generating currents which are mirrored into the high impedance node. Complementary followers form an output stage which buffers the gain node from the load. The bandwidth is set by the input resistor and the capacitance on the high impedance node. The slew rate is determined by the current available to charge the gain node capacitance. This current is the differential input voltage divided by  $R_1$ , so the slew rate is proportional to the input. Highest slew rates are therefore seen in the lowest gain configurations. For example, a 10V output step in a gain of 10 has only a 1V input step, whereas the same output step in unity gain has a 10 times greater input step. The curve of Slew Rate vs Input Level illustrates this relationship. The LT1355/LT1356 are tested for slew rate in a gain of  $-2$  so higher slew rates can be expected in gains of 1 and  $-1$ , and lower slew rates in higher gain configurations.

The RC network across the output stage is bootstrapped when the amplifier is driving a light or moderate load and has no effect under normal operation. When driving a capacitive load (or a low value resistive load) the network is incompletely bootstrapped and adds to the compensation at the high impedance node. The added capacitance slows down the amplifier which improves the phase margin by moving the unity-gain frequency away from the pole formed by the output impedance and the capacitive load. The zero created by the RC combination adds phase to ensure that even for very large load capacitances, the total phase lag can never exceed 180 degrees (zero phase margin) and the amplifier remains stable.

## APPLICATIONS INFORMATION

### Power Dissipation

The LT1355/LT1356 combine high speed and large output drive in small packages. Because of the wide supply voltage range, it is possible to exceed the maximum junction temperature under certain conditions. Maximum junction temperature ( $T_J$ ) is calculated from the ambient temperature ( $T_A$ ) and power dissipation ( $P_D$ ) as follows:

- LT1355CN8:  $T_J = T_A + (P_D \times 130^\circ\text{C/W})$
- LT1355CS8:  $T_J = T_A + (P_D \times 190^\circ\text{C/W})$
- LT1356CN:  $T_J = T_A + (P_D \times 110^\circ\text{C/W})$
- LT1356CS:  $T_J = T_A + (P_D \times 150^\circ\text{C/W})$

Worst case power dissipation occurs at the maximum supply current and when the output voltage is at 1/2 of either supply voltage (or the maximum swing if less than 1/2 supply voltage). For each amplifier  $P_{D\text{MAX}}$  is:

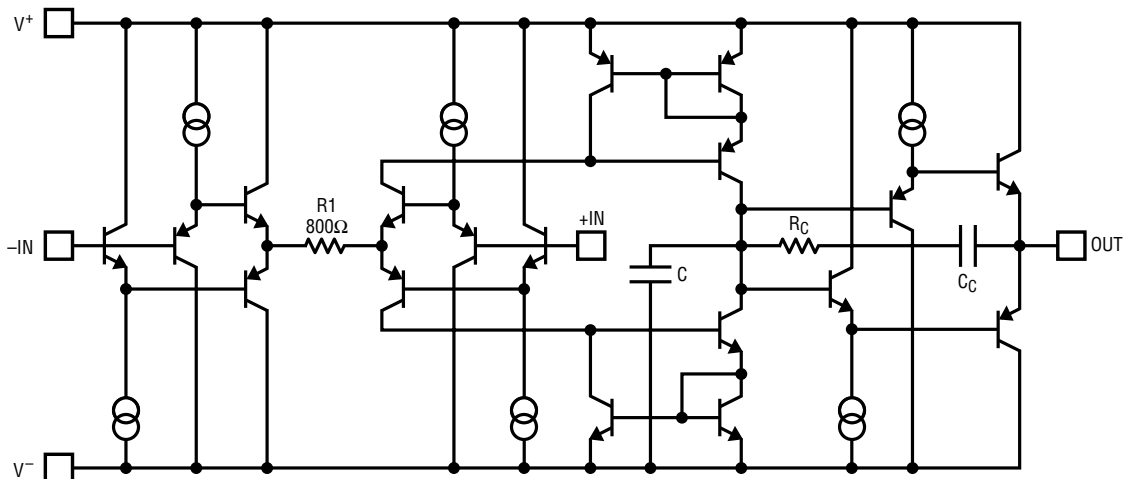
$$P_{D\text{MAX}} = (V^+ - V^-)(I_{S\text{MAX}}) + (V^+/2)^2/R_L$$

Example: LT1356 in S16 at  $70^\circ\text{C}$ ,  $V_S = \pm 15\text{V}$ ,  $R_L = 1\text{k}$

$$P_{D\text{MAX}} = (30\text{V})(1.45\text{mA}) + (7.5\text{V})^2/1\text{k}\Omega = 99.8\text{mW}$$

$$T_{J\text{MAX}} = 70^\circ\text{C} + (4 \times 99.8\text{mW})(150^\circ\text{C/W}) = 130^\circ\text{C}$$

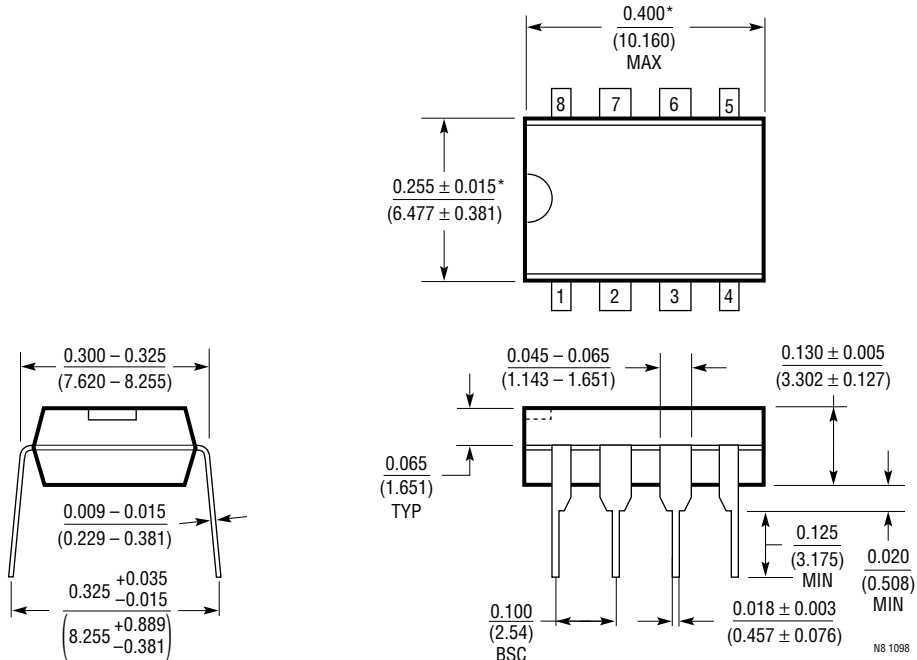
## SIMPLIFIED SCHEMATIC



1355/1356 SS01

**PACKAGE DESCRIPTION** Dimensions in inches (millimeters) unless otherwise noted.

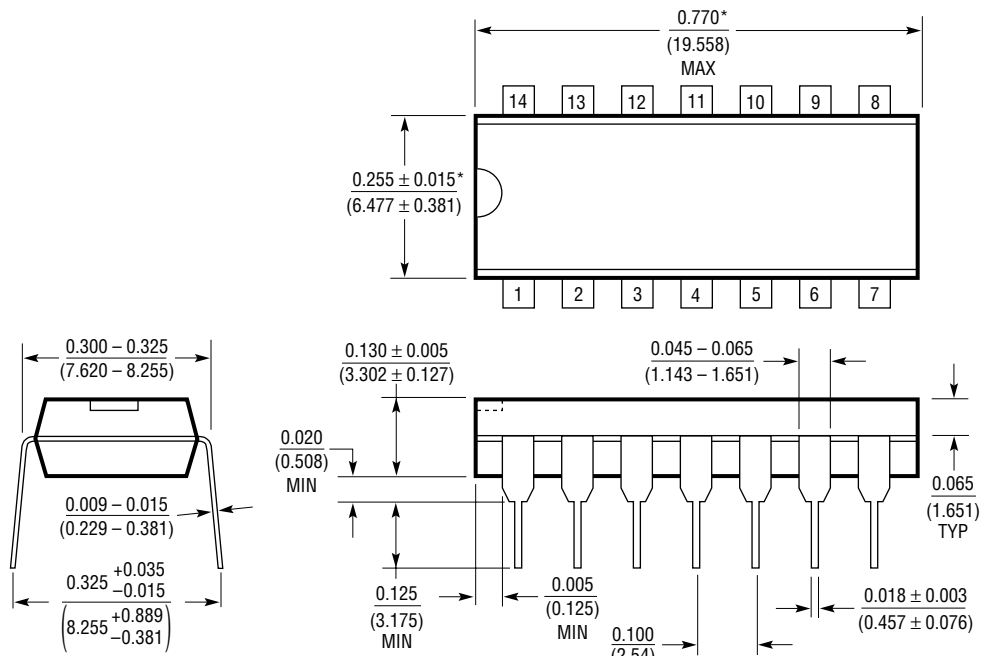
**N8 Package**  
**8-Lead PDIP (Narrow 0.300)**  
 (LTC DWG # 05-08-1510)



\*THESE DIMENSIONS DO NOT INCLUDE MOLD FLASH OR PROTRUSIONS.  
 MOLD FLASH OR PROTRUSIONS SHALL NOT EXCEED 0.010 INCH (0.254mm)

**PACKAGE DESCRIPTION** Dimensions in inches (millimeters) unless otherwise noted.

**N Package**  
**14-Lead PDIP (Narrow 0.300)**  
 (LTC DWG # 05-08-1510)

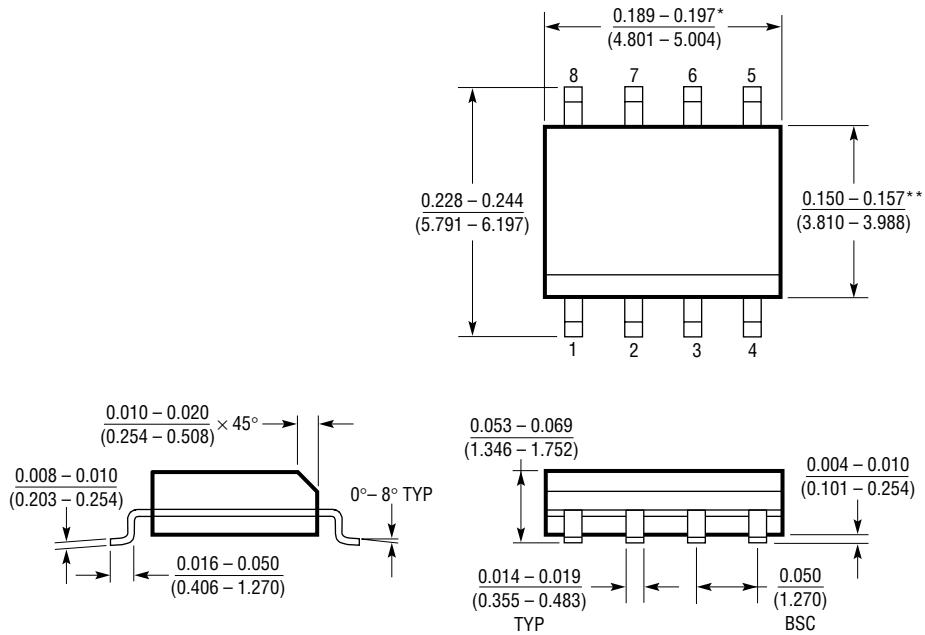


\*THESE DIMENSIONS DO NOT INCLUDE MOLD FLASH OR PROTRUSIONS.  
 MOLD FLASH OR PROTRUSIONS SHALL NOT EXCEED 0.010 INCH (0.254mm)

N14 1098

**PACKAGE DESCRIPTION** Dimensions in inches (millimeters) unless otherwise noted.

**S8 Package**  
**8-Lead Plastic Small Outline (Narrow 0.150)**  
 (LTC DWG # 05-08-1610)

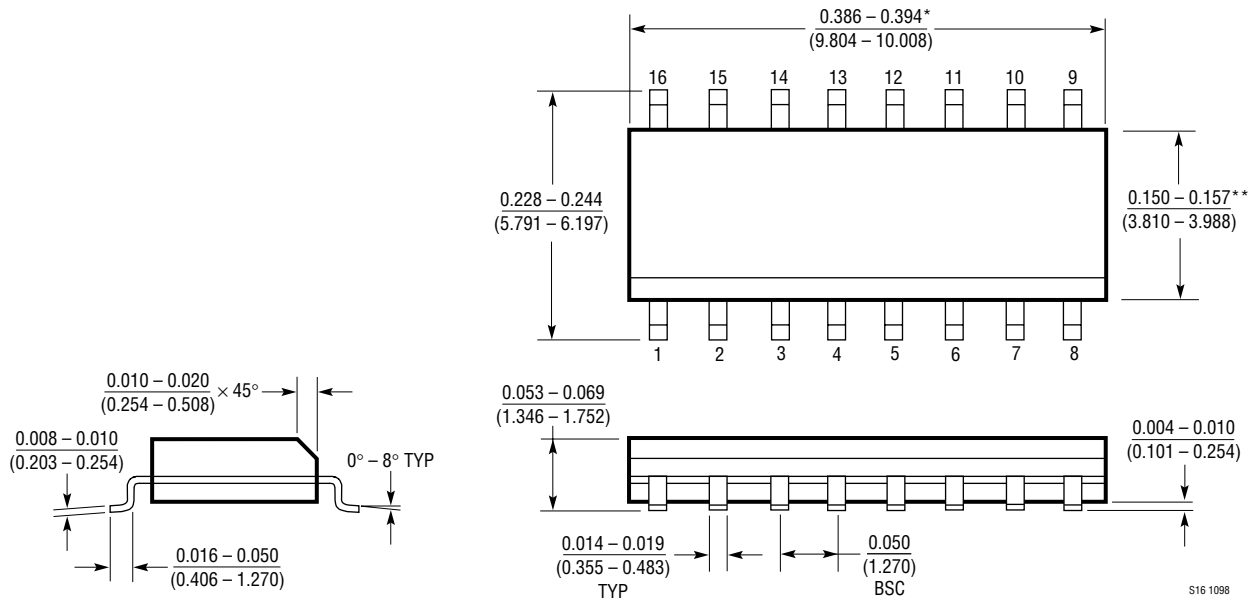


\*DIMENSION DOES NOT INCLUDE MOLD FLASH. MOLD FLASH SHALL NOT EXCEED 0.006" (0.152mm) PER SIDE  
 \*\*DIMENSION DOES NOT INCLUDE INTERLEAD FLASH. INTERLEAD FLASH SHALL NOT EXCEED 0.010" (0.254mm) PER SIDE

S08 1298

**PACKAGE DESCRIPTION** Dimensions in inches (millimeters) unless otherwise noted.

**S Package**  
**16-Lead Plastic Small Outline (Narrow 0.150)**  
 (LTC DWG # 05-08-1610)

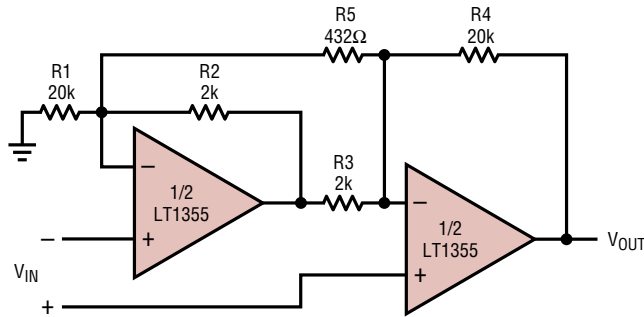


\*DIMENSION DOES NOT INCLUDE MOLD FLASH. MOLD FLASH SHALL NOT EXCEED 0.006" (0.152mm) PER SIDE  
 \*\*DIMENSION DOES NOT INCLUDE INTERLEAD FLASH. INTERLEAD FLASH SHALL NOT EXCEED 0.010" (0.254mm) PER SIDE

S16 1098

**TYPICAL APPLICATIONS**

**Instrumentation Amplifier**

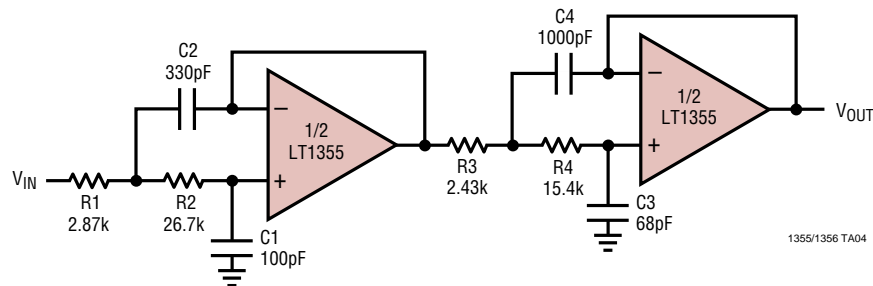


$$A_V = \frac{R_4}{R_3} \left[ 1 + \frac{1}{2} \left( \frac{R_2 + R_3}{R_1 + R_4} \right) + \frac{R_2 + R_3}{R_5} \right] = 104$$

TRIM R5 FOR GAIN  
 TRIM R1 FOR COMMON-MODE REJECTION  
 BW = 120kHz

1355/1356 TA03

**100kHz, 4th Order Butterworth Filter (Sallen-Key)**



1355/1356 TA04

**RELATED PARTS**

| PART NUMBER   | DESCRIPTION                                | COMMENTS  |
|---------------|--|---|
| LT1354        | 12MHz, 400V/μs Op Amp                      | Single Version of LT1355/LT1356   |
| LT1352/LT1353 | Dual and Quad 250μA, 3MHz, 200V/μs Op Amps | Lower Power Version of LT1355/LT1356, V <sub>OS</sub> = 0.6mV, I <sub>S</sub> = 250μA/Amplifier |
| LT1358/LT1359 | Dual and Quad 25MHz, 600V/μs Op Amps       | Faster Version of LT1355/LT1356, V <sub>OS</sub> = 0.6mV, I <sub>S</sub> = 2mA/Amplifier        |