

Micropower, Over-The-Top SOT-23, Rail-to-Rail Input and Output Op Amp

FEATURES

- Operates with Inputs Above V^+
- Rail-to-Rail Input and Output
- Micropower: 55 μ A Supply Current Max
- Operating Temperature Range: -40°C to 125°C
- Low Profile (1mm) ThinSOT™ Package
- Low Input Offset Voltage: 800 μ V Max
- Single Supply Input Range: 0V to 18V
- High Output Current: 18mA Min
- Specified on 3V, 5V and ± 5 V Supplies
- Output Shutdown on 6-Lead Version
- Reverse Battery Protection to 18V
- High Voltage Gain: 1500V/mV
- Gain Bandwidth Product: 200kHz
- Slew Rate: 0.07V/ μ s

APPLICATIONS

- Portable Instrumentation
- Battery- or Solar-Powered Systems
- Sensor Conditioning
- Supply Current Sensing
- Battery Monitoring
- MUX Amplifiers
- 4mA to 20mA Transmitters

DESCRIPTION

The LT[®]1782 is a 200kHz op amp available in the small SOT-23 package that operates on all single and split supplies with a total voltage of 2.5V to 18V. The amplifier draws less than 55 μ A of quiescent current and has reverse battery protection, drawing negligible current for reverse supply voltages up to 18V.

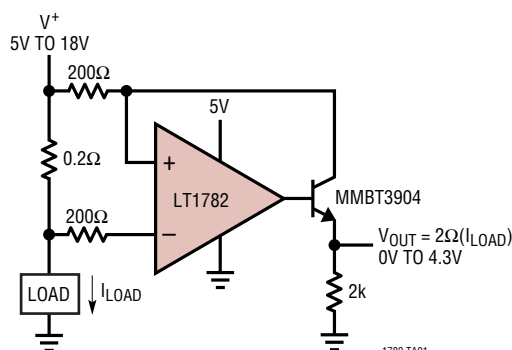
The input range of the LT1782 includes ground, and a unique feature of this device is its Over-The-Top™ operation capability with either or both of its inputs above the positive rail. The inputs handle 18V both differential and common mode, independent of supply voltage. The input stage incorporates phase reversal protection to prevent false outputs from occurring even when the inputs are 9V below the negative supply.

The LT1782 can drive loads up to 18mA and still maintain rail-to-rail capability. A shutdown feature on the 6-lead version can disable the part, making the output high impedance and reducing quiescent current to 5 μ A. The LT1782 op amp is available in the 5- and 6-lead SOT-23 packages. For applications requiring higher speed, refer to the LT1783.

LT, LTC and LT are registered trademarks of Linear Technology Corporation. ThinSOT and Over-The-Top are trademarks of Linear Technology Corporation.

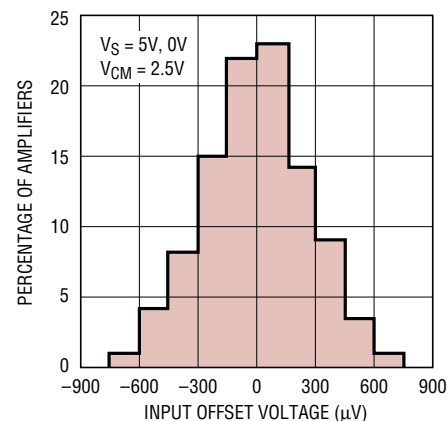
TYPICAL APPLICATION

Positive Supply Rail Current Sense



1782 TA01

Distribution of Input Offset Voltage



1782 TA01a

ABSOLUTE MAXIMUM RATINGS (Note 1)

| | | | |
|---|----------------|--|----------------|
| Total Supply Voltage (V^+ to V^-) | 18V | Specified Temperature Range (Note 4) | |
| Input Differential Voltage | 18V | LT1782C | -40°C to 85°C |
| Input Pin Voltage to V^- | +24V/-10V | LT1782I | -40°C to 85°C |
| Shutdown Pin Voltage Above V^- | 18V | LT1782H | -40°C to 125°C |
| Shutdown Pin Current | ± 10 mA | Junction Temperature | 150°C |
| Output Short-Circuit Duration (Note 2) | Indefinite | Storage Temperature Range | -65°C to 150°C |
| Operating Temperature Range (Note 3) | | Lead Temperature (Soldering, 10 sec) | 300°C |
| LT1782C | -40°C to 85°C | | |
| LT1782I | -40°C to 85°C | | |
| LT1782H | -40°C to 125°C | | |

PACKAGE/ORDER INFORMATION

| | | | |
|---|-------------------------------------|---|-------------------------------------|
| <p>S5 PACKAGE 5-LEAD PLASTIC SOT-23 $T_{JMAX} = 150^{\circ}\text{C}$, $\theta_{JA} = 250^{\circ}\text{C/W}$</p> | ORDER PART NUMBER | <p>S6 PACKAGE 6-LEAD PLASTIC SOT-23 $T_{JMAX} = 150^{\circ}\text{C}$, $\theta_{JA} = 230^{\circ}\text{C/W}$</p> | ORDER PART NUMBER |
| | LT1782CS5 LT1782IS5 LT1782HS5 | | LT1782CS6 LT1782IS6 LT1782HS6 |
| | S5 PART MARKING | | S6 PART MARKING |
| | LTL D LTLE LTXK | | LTIS LTIT LTXL |

Consult LTC Marketing for parts specified with wider operating temperature ranges.

ELECTRICAL CHARACTERISTICS

The ● denotes specifications which apply over the specified temperature range, otherwise specifications are $T_A = 25^{\circ}\text{C}$.
 $V_S = 3\text{V}$, 0V ; $V_S = 5\text{V}$, 0V , $V_{CM} = V_{OUT} = \text{half supply}$, for the 6-lead part $V_{PIN5} = 0\text{V}$, pulse power tested unless otherwise specified.

| SYMBOL | PARAMETER | CONDITIONS | LT1782C/LT1782I | | | UNITS |
|--------------------------|-------------------------------------|---|-----------------|------|------|--------------------------------|
| | | | MIN | TYP | MAX | |
| V_{OS} | Input Offset Voltage | $T_A = 25^{\circ}\text{C}$ | | 400 | 800 | μV |
| | | $0^{\circ}\text{C} \leq T_A \leq 70^{\circ}\text{C}$ | ● | | 950 | μV |
| | | $-40^{\circ}\text{C} \leq T_A \leq 85^{\circ}\text{C}$ | ● | | 1100 | μV |
| $\Delta V_{OS}/\Delta T$ | Input Offset Voltage Drift (Note 7) | | ● | 2 | 5 | $\mu\text{V}/^{\circ}\text{C}$ |
| I_{OS} | Input Offset Current | $V_{CM} = 18\text{V}$ (Note 5) | ● | 0.7 | 2 | nA |
| | | | ● | | 1 | μA |
| I_B | Input Bias Current | $V_{CM} = 18$ (Note 5) SHDN or $V_S = 0\text{V}$, $V_{CM} = 0\text{V}$ to 18V | ● | 8 | 15 | nA |
| | | | ● | 6 | 12 | μA |
| | | | | 0.1 | | nA |
| | Input Bias Current Drift | $-40^{\circ}\text{C} \leq T_A \leq 85^{\circ}\text{C}$ | ● | 0.01 | | nA/ $^{\circ}\text{C}$ |
| | Input Noise Voltage | 0.1Hz to 10Hz | | 1 | | μV_{p-p} |
| e_n | Input Noise Voltage Density | $f = 1\text{kHz}$ | | 50 | | nV/ $\sqrt{\text{Hz}}$ |
| i_n | Input Noise Current Density | $f = 1\text{kHz}$ | | 0.05 | | pA/ $\sqrt{\text{Hz}}$ |

ELECTRICAL CHARACTERISTICS

The ● denotes specifications which apply over the specified temperature range, otherwise specifications are $T_A = 25^\circ\text{C}$.
 $V_S = 3\text{V}, 0\text{V}$; $V_S = 5\text{V}, 0\text{V}$, $V_{CM} = V_{OUT} = \text{half supply}$, for the 6-lead part $V_{PIN5} = 0\text{V}$, pulse power tested unless otherwise specified.

| SYMBOL | PARAMETER | CONDITIONS | LT1782C/LT1782I | | | UNITS | |
|-------------------|--------------------------------------|--|-----------------|------|------|-------|----|
| | | | MIN | TYP | MAX | | |
| R _{IN} | Input Resistance | Differential | ● | 3.4 | 6.5 | MΩ | |
| | | Common Mode, $V_{CM} = 0\text{V}$ to $(V_{CC} - 1\text{V})$ | ● | | 5 | GΩ | |
| | | Common Mode, $V_{CM} = 0\text{V}$ to 18V | ● | 1.5 | 3 | MΩ | |
| C _{IN} | Input Capacitance | | | 5 | pF | | |
| | Input Voltage Range | | ● | 0 | 18 | V | |
| CMRR | Common Mode Rejection Ratio (Note 5) | $V_{CM} = 0\text{V}$ to $V_{CC} - 1\text{V}$ | ● | 90 | 100 | dB | |
| | | $V_{CM} = 0\text{V}$ to 18V (Note 8) | ● | 68 | 80 | dB | |
| PSRR | Power Supply Rejection Ratio | $V_S = 3\text{V}$ to 12.5V , $V_{CM} = V_O = 1\text{V}$ | ● | 90 | 100 | dB | |
| A _{VOL} | Large-Signal Voltage Gain | $V_S = 3\text{V}$, $V_O = 500\text{mV}$ to 2.5V , $R_L = 10\text{k}$ | ● | 200 | 1500 | V/mV | |
| | | $V_S = 3\text{V}$, $0^\circ\text{C} \leq T_A \leq 70^\circ\text{C}$ | ● | 133 | | V/mV | |
| | | $V_S = 3\text{V}$, $-40^\circ\text{C} \leq T_A \leq 85^\circ\text{C}$ | ● | 100 | | V/mV | |
| | | $V_S = 5\text{V}$, $V_O = 500\text{mV}$ to 4.5V , $R_L = 10\text{k}$ | ● | 400 | 1500 | V/mV | |
| | | $V_S = 5\text{V}$, $0^\circ\text{C} \leq T_A \leq 70^\circ\text{C}$ | ● | 250 | | V/mV | |
| | | $V_S = 5\text{V}$, $-40^\circ\text{C} \leq T_A \leq 85^\circ\text{C}$ | ● | 200 | | V/mV | |
| V _{OL} | Output Voltage Swing LOW | No Load | ● | | 3 | 8 | mV |
| | | $I_{SINK} = 5\text{mA}$ | ● | | 200 | 500 | mV |
| | | $V_S = 5\text{V}$, $I_{SINK} = 10\text{mA}$ | ● | | 400 | 800 | mV |
| V _{OH} | Output Voltage Swing HIGH | $V_S = 3\text{V}$, No Load | ● | 2.91 | 2.94 | V | |
| | | $V_S = 3\text{V}$, $I_{SOURCE} = 5\text{mA}$ | ● | 2.6 | 2.8 | V | |
| | | $V_S = 5\text{V}$, No Load | ● | 4.91 | 4.94 | V | |
| | | $V_S = 5\text{V}$, $I_{SOURCE} = 10\text{mA}$ | ● | 4.5 | 4.74 | V | |
| I _{SC} | Short-Circuit Current (Note 2) | $V_S = 3\text{V}$, Short to GND | | 5 | 10 | mA | |
| | | $V_S = 3\text{V}$, Short to V_{CC} | | 15 | 30 | mA | |
| | | $V_S = 5\text{V}$, Short to GND | | 15 | 30 | mA | |
| | | $V_S = 5\text{V}$, Short to V_{CC} | | 20 | 40 | mA | |
| | Minimum Supply Voltage | | ● | 2.7 | | V | |
| | Reverse Supply Voltage | $I_S = -100\mu\text{A}$ | ● | 18 | | V | |
| I _S | Supply Current (Note 6) | $0^\circ\text{C} \leq T_A \leq 70^\circ\text{C}$ | ● | | 40 | 55 | μA |
| | | $-40^\circ\text{C} \leq T_A \leq 85^\circ\text{C}$ | ● | | | 60 | μA |
| | | | ● | | | | 65 |
| | Supply Current, SHDN | $V_{PIN5} = 2\text{V}$, No Load (Note 10) | ● | | 5 | 15 | μA |
| I _{SHDN} | Shutdown Pin Current | $V_{PIN5} = 0.3\text{V}$, No load (Note 10) | ● | | 0.5 | | nA |
| | | $V_{PIN5} = 2\text{V}$, No Load (Note 10) | ● | | 2 | 8 | μA |
| | | $V_{PIN5} = 5\text{V}$, No Load (Note 10) | ● | | 5 | | μA |
| | Shutdown Output Leakage Current | $V_{PIN5} = 2\text{V}$, No Load (Note 10) | ● | | 0.05 | 1 | μA |
| | Maximum Shutdown Pin Current | $V_{PIN5} = 18\text{V}$, No Load (Note 10) | ● | | 10 | 30 | μA |
| V _L | Shutdown Pin Input Low Voltage | (Note 10) | ● | | 0.3 | V | |
| V _H | Shutdown Pin Input High Voltage | (Note 10) | ● | 2 | | V | |
| t _{ON} | Turn-On Time | $V_{PIN5} = 5\text{V}$ to 0V , $R_L = 10\text{k}$ (Note 10) | | | 100 | μs | |
| t _{OFF} | Turn-Off Time | $V_{PIN5} = 0\text{V}$ to 5V , $R_L = 10\text{k}$ (Note 10) | | | 6 | μs | |
| GBW | Gain Bandwidth Product (Note 5) | $f = 5\text{kHz}$ | ● | 110 | 200 | kHz | |
| | | $0^\circ\text{C} \leq T_A \leq 70^\circ\text{C}$ | ● | 100 | | kHz | |
| | | $-40^\circ\text{C} \leq T_A \leq 85^\circ\text{C}$ | ● | 90 | | kHz | |

ELECTRICAL CHARACTERISTICS

The ● denotes specifications which apply over the specified temperature range, otherwise specifications are $T_A = 25^\circ\text{C}$.
 $V_S = 3\text{V}, 0\text{V}; V_S = 5\text{V}, 0\text{V}, V_{CM} = V_{OUT} = \text{half supply}$, for the 6-lead part $V_{PIN5} = 0\text{V}$, pulse power tested unless otherwise specified.

| SYMBOL | PARAMETER | CONDITIONS | LT1782C/LT1782I | | | UNITS |
|--------|-------------------------------|---|-----------------|-------|-----|------------------|
| | | | MIN | TYP | MAX | |
| SR | Slew Rate (Note 5) | $A_V = -1, R_L = \infty$ | 0.035 | 0.07 | | V/ μs |
| | | $0^\circ\text{C} \leq T_A \leq 70^\circ\text{C}$ | ● 0.031 | | | V/ μs |
| | | $-40^\circ\text{C} \leq T_A \leq 85^\circ\text{C}$ | ● 0.028 | | | V/ μs |
| t_S | Settling Time | $V_S = 5\text{V}, \Delta V_{OUT} = 2\text{V}$ to 0.1%, $A_V = -1$ | | 45 | | μs |
| THD | Distortion | $V_S = 3\text{V}, V_O = 2V_{P-P}, A_V = 1, R_L = 10\text{k}, f = 1\text{kHz}$ | | 0.003 | | % |
| FPBW | Full-Power Bandwidth (Note 9) | $V_{OUT} = 2V_{P-P}$ | | 11 | | kHz |

The ● denotes specifications which apply over the specified temperature range, otherwise specifications are $T_A = 25^\circ\text{C}$.
 $V_S = \pm 5\text{V}, V_{CM} = 0\text{V}, V_{OUT} = 0\text{V}$, for the 6-lead part $V_{PIN5} = V^-$, pulse power tested unless otherwise specified.

| SYMBOL | PARAMETER | CONDITIONS | LT1782C/LT1782I | | | UNITS |
|--------------------------|-------------------------------------|--|-----------------|--------|--------|------------------------------|
| | | | MIN | TYP | MAX | |
| V_{OS} | Input Offset Voltage | $T_A = 25^\circ\text{C}$ | | 500 | 900 | μV |
| | | $0^\circ\text{C} \leq T_A \leq 70^\circ\text{C}$ | ● | | 1050 | μV |
| | | $-40^\circ\text{C} \leq T_A \leq 85^\circ\text{C}$ | ● | | 1200 | μV |
| $\Delta V_{OS}/\Delta T$ | Input Offset Voltage Drift (Note 7) | | ● | 2 | 5 | $\mu\text{V}/^\circ\text{C}$ |
| I_{OS} | Input Offset Current | | ● | 0.7 | 2 | nA |
| I_B | Input Bias Current | | ● | 8 | 15 | nA |
| | Input Bias Current Drift | | ● | 0.01 | | nA/ $^\circ\text{C}$ |
| | Input Noise Voltage | 0.1Hz to 10Hz | | 1 | | μV_{P-P} |
| e_n | Input Noise Voltage Density | $f = 1\text{kHz}$ | | 50 | | nV/ $\sqrt{\text{Hz}}$ |
| i_n | Input Noise Current Density | $f = 1\text{kHz}$ | | 0.05 | | pA/ $\sqrt{\text{Hz}}$ |
| R_{IN} | Input Resistance | Differential | ● | 3.4 | 6.5 | M Ω |
| | | Common Mode, $V_{CM} = -5\text{V}$ to 13V | ● | 1.5 | 3 | M Ω |
| C_{IN} | Input Capacitance | | | 5 | | pF |
| | Input Voltage Range | | ● | -5 | 13 | V |
| CMRR | Common Mode Rejection Ratio | $V_{CM} = -5\text{V}$ to 13V | ● | 68 | 80 | dB |
| A_{VOL} | Large-Signal Voltage Gain | $V_O = \pm 4\text{V}, R_L = 10\text{k}$ | | 55 | 150 | V/mV |
| | | $0^\circ\text{C} \leq T_A \leq 70^\circ\text{C}$ | ● | 40 | | V/mV |
| | | $-40^\circ\text{C} \leq T_A \leq 85^\circ\text{C}$ | ● | 30 | | V/mV |
| V_{OL} | Output Voltage Swing LOW | No Load | ● | -4.997 | -4.992 | V |
| | | $I_{SINK} = 5\text{mA}$ | ● | -4.8 | -4.5 | V |
| | | $I_{SINK} = 10\text{mA}$ | ● | -4.6 | -4.2 | V |
| V_{OH} | Output Voltage Swing HIGH | No Load | ● | 4.91 | 4.94 | V |
| | | $I_{SOURCE} = 5\text{mA}$ | ● | 4.6 | 4.8 | V |
| | | $I_{SOURCE} = 10\text{mA}$ | ● | 4.5 | 4.74 | V |
| I_{SC} | Short-Circuit Current (Note 2) | Short to GND | | 18 | 30 | mA |
| | | $0^\circ\text{C} \leq T_A \leq 70^\circ\text{C}$ | ● | 15 | | mA |
| PSRR | Power Supply Rejection Ratio | $V_S = \pm 1.5\text{V}$ to $\pm 9\text{V}$ | ● | 90 | 100 | dB |
| I_S | Supply Current | $0^\circ\text{C} \leq T_A \leq 70^\circ\text{C}$ | | 45 | 60 | μA |
| | | $-40^\circ\text{C} \leq T_A \leq 85^\circ\text{C}$ | ● | | 65 | μA |
| | | | ● | | 70 | μA |
| | Supply Current, SHDN | $V_{PIN5} = -3\text{V}, V_S = \pm 5\text{V}$, No Load (Note 10) | ● | 6 | 20 | μA |
| I_{SHDN} | Shutdown Pin Current | $V_{PIN5} = -4.7\text{V}, V_S = \pm 5\text{V}$, No load (Note 10) | ● | 0.5 | | nA |
| | | $V_{PIN5} = -3\text{V}, V_S = \pm 5\text{V}$, No Load (Note 10) | ● | 2 | 8 | μA |

ELECTRICAL CHARACTERISTICS

The ● denotes specifications which apply over the specified temperature range, otherwise specifications are $T_A = 25^\circ\text{C}$. $V_S = \pm 5\text{V}$, $V_{CM} = 0\text{V}$, $V_{OUT} = 0\text{V}$, for the 6-lead part $V_{PIN5} = V^-$, pulse power tested unless otherwise specified.

| SYMBOL | PARAMETER | CONDITIONS | LT1782C/LT1782I | | | UNITS |
|-----------|---------------------------------|---|-----------------|--------|-------|------------------|
| | | | MIN | TYP | MAX | |
| | Maximum Shutdown Pin Current | $V_{PIN5} = 9\text{V}$, $V_S = \pm 9\text{V}$ (Note 10) | ● | 10 | 30 | μA |
| | Shutdown Output Leakage Current | $V_{PIN5} = -7\text{V}$, $V_S = \pm 9\text{V}$, No Load (Note 10) | ● | 0.05 | 1 | μA |
| V_L | Shutdown Pin Input Low Voltage | $V_S = \pm 5\text{V}$ (Note 10) | ● | | -4.7 | V |
| V_H | Shutdown Pin Input High Voltage | $V_S = \pm 5\text{V}$ (Note 10) | ● | -3 | | V |
| t_{ON} | Turn-On Time | $V_{PIN5} = 0\text{V}$ to -5V , $R_L = 10\text{k}$ (Note 10) | ● | 100 | | μs |
| t_{OFF} | Turn-Off Time | $V_{PIN5} = -5\text{V}$ to 0V , $R_L = 10\text{k}$ (Note 10) | ● | 6 | | μs |
| GBW | Gain Bandwidth Product | $f = 5\text{kHz}$ | ● | 120 | 225 | kHz |
| | | $0^\circ\text{C} \leq T_A \leq 70^\circ\text{C}$ | ● | 110 | | kHz |
| | | $-40^\circ\text{C} \leq T_A \leq 85^\circ\text{C}$ | ● | 100 | | kHz |
| SR | Slew Rate | $A_V = -1$, $R_L = \infty$, $V_O = \pm 4\text{V}$, Measured at $V_O = \pm 2\text{V}$ | ● | 0.0375 | 0.075 | V/ μs |
| | | $0^\circ\text{C} \leq T_A \leq 70^\circ\text{C}$ | ● | 0.033 | | V/ μs |
| | | $-40^\circ\text{C} \leq T_A \leq 85^\circ\text{C}$ | ● | 0.030 | | V/ μs |
| t_S | Settling Time | $\Delta V_{OUT} = 4\text{V}$ to 0.1% , $A_V = 1$ | | 50 | | μs |
| FPBW | Full-Power Bandwidth (Note 9) | $V_{OUT} = 8V_{P-P}$ | | 3 | | kHz |

The ● denotes specifications which apply over the full operating temperature range of $-40^\circ\text{C} \leq T_A \leq 125^\circ\text{C}$. $V_S = 3\text{V}$, 0V ; $V_S = 5\text{V}$, 0V ; $V_{CM} = V_{OUT} = \text{half supply}$, for the 6-lead part $V_{PIN5} = 0\text{V}$, pulse power tested unless otherwise specified. (Note 4)

| SYMBOL | PARAMETER | CONDITIONS | LT1782H | | | UNITS |
|--------------------------|------------------------------|--|---------|------|------|------------------------------|
| | | | MIN | TYP | MAX | |
| V_{OS} | Input Offset Voltage | | ● | 400 | 800 | μV |
| | | | | | 3 | mV |
| $\Delta V_{OS}/\Delta T$ | Input Offset Voltage Drift | | ● | | 15 | $\mu\text{V}/^\circ\text{C}$ |
| I_{OS} | Input Offset Current | $V_{CM} = 18\text{V}$ (Note 5) | ● | | 3 | nA |
| | | | ● | | 2 | μA |
| I_B | Input Bias Current | $V_{CM} = 18\text{V}$ (Note 5) | ● | | 30 | nA |
| | | | ● | | 25 | μA |
| | Input Voltage Range | | ● | 0.3 | 18 | V |
| CMRR | Common Mode Rejection Ratio | $V_{CM} = 0.3\text{V}$ to $V_{CC} - 1\text{V}$ | ● | 76 | | dB |
| | | $V_{CM} = 0.3\text{V}$ to 18V | ● | 60 | | dB |
| A_{VOL} | Large-Signal Voltage Gain | $V_S = 3\text{V}$, $V_O = 500\text{mV}$ to 2.5V , $R_L = 10\text{k}$ | ● | 200 | 1500 | V/mV |
| | | $V_S = 5\text{V}$, $V_O = 500\text{mV}$ to 4.5V , $R_L = 10\text{k}$ | ● | 50 | 1500 | V/mV |
| V_{OL} | Output Voltage Swing LOW | No Load | ● | | 15 | mV |
| | | $I_{SINK} = 5\text{mA}$ | ● | | 900 | mV |
| | | $V_S = 5\text{V}$, $I_{SINK} = 10\text{mA}$ | ● | | 1500 | mV |
| V_{OH} | Output Voltage Swing HIGH | $V_S = 3\text{V}$, No Load | ● | 2.85 | | V |
| | | $V_S = 3\text{V}$, $I_{SOURCE} = 5\text{mA}$ | ● | 2.20 | | V |
| | | $V_S = 5\text{V}$, No Load | ● | 4.85 | | V |
| | | $V_S = 5\text{V}$, $I_{SOURCE} = 10\text{mA}$ | ● | 3.80 | | V |
| PSRR | Power Supply Rejection Ratio | $V_S = 3\text{V}$ to 12.5V , $V_{CM} = V_O = 1\text{V}$ | ● | 80 | | dB |
| | Minimum Supply Voltage | | ● | 2.7 | | V |
| | Reverse Supply Voltage | $I_S = -100\mu\text{A}$ | ● | 18 | | V |

ELECTRICAL CHARACTERISTICS

The ● denotes specifications which apply over the full operating temperature range of $-40^{\circ}\text{C} \leq T_A \leq 125^{\circ}\text{C}$. $V_S = 3\text{V}, 0\text{V}; V_S = 5\text{V}, 0\text{V}; V_{CM} = V_{OUT} = \text{half supply}$, for the 6-lead part $V_{PIN5} = 0\text{V}$, pulse power tested unless otherwise specified. (Note 4)

| SYMBOL | PARAMETER | CONDITIONS | LT1782H | | | UNITS |
|------------|---------------------------------|--|---------|-------|-----------|--------------------------------|
| | | | MIN | TYP | MAX | |
| I_S | Supply Current | | | 40 | 55 100 | μA μA |
| | Supply Current, SHDN | $V_{PIN5} = 2\text{V}$, No Load (Note 10) | ● | | 25 | μA |
| I_{SHDN} | Shutdown Pin Current | $V_{PIN5} = 0.3\text{V}$, No load (Note 10) $V_{PIN5} = 2\text{V}$, No Load (Note 10) | ● | 0.5 | 12 | nA μA |
| | Output Leakage Current | $V_{PIN5} = 2\text{V}$, No Load (Note 10) | ● | | 3 | μA |
| | Maximum Shutdown Pin Current | $V_{PIN5} = 18\text{V}$, No Load | ● | | 45 | μA |
| V_L | Shutdown Pin Input Low Voltage | (Note 10) | ● | | 0.3 | V |
| V_H | Shutdown Pin Input High Voltage | (Note 10) | ● | 2 | | V |
| GBW | Gain Bandwidth Product | $f = 10\text{kHz}$ (Note 5) | ● | 110 | 200 | kHz |
| | | | ● | 65 | | kHz |
| SR | Slew Rate | $A_V = -1, R_L = \infty$ (Note 7) | ● | 0.035 | 0.07 | $\text{V}/\mu\text{s}$ |
| | | | ● | 0.020 | | $\text{V}/\mu\text{s}$ |

The ● denotes specifications which apply over the full operating temperature range of $-40^{\circ}\text{C} \leq T_A \leq 125^{\circ}\text{C}$. $V_S = \pm 5\text{V}, V_{CM} = 0\text{V}, V_{OUT} = 0\text{V}$, for the 6-lead part $V_{PIN5} = V^-$, pulse power tested unless otherwise specified. (Note 4)

| SYMBOL | PARAMETER | CONDITIONS | LT1782H | | | UNITS |
|--------------------------|-------------------------------------|--|---------|------------|-----------|--------------------------------|
| | | | MIN | TYP | MAX | |
| V_{OS} | Input Offset Voltage | | ● | 500 | 900 | μV |
| | | | ● | | 3.2 | mV |
| $\Delta V_{OS}/\Delta T$ | Input Offset Voltage Drift (Note 9) | | ● | | 15 | $\mu\text{V}/^{\circ}\text{C}$ |
| I_{OS} | Input Offset Current | | ● | | 3 | nA |
| I_B | Input Bias Current | | ● | | 30 | nA |
| CMRR | Common Mode Rejection Ratio | $V_{CM} = -4.7\text{V}$ to 13V | ● | 60 | | dB |
| A_{VOL} | Large-Signal Voltage Gain | $V_S = \pm 4\text{V}, R_L = 10\text{k}$ | ● | 55 | 150 | V/mV |
| | | | ● | 20 | | V/mV |
| V_O | Output Voltage Swing | No Load $I_{SINK} = \pm 5\text{mA}$ $I_{SINK} = \pm 10\text{mA}$ | ● | ± 4.85 | | V |
| | | | ● | ± 4.10 | | V |
| | | | ● | ± 3.50 | | V |
| PSRR | Power Supply Rejection Ratio | $V_S = \pm 1.5\text{V}$ to $\pm 9\text{V}$ | ● | 80 | | dB |
| | Minimum Supply Voltage | | ● | ± 1.35 | | V |
| I_S | Supply Current | | ● | 45 | 60 110 | μA μA |
| | Supply Current, SHDN | $V_{PIN5} = -3\text{V}, V_S = \pm 5\text{V}$, No Load (Note 10) | ● | | 25 | μA |
| I_{SHDN} | Shutdown Pin Current | $V_{PIN5} = -4.7\text{V}, V_S = \pm 5\text{V}$, No load (Note 10) $V_{PIN5} = -3\text{V}, V_S = \pm 5\text{V}$, No Load (Note 10) | ● | 0.5 | 12 | nA μA |
| | Maximum Shutdown Pin Current | $V_{PIN5} = 9\text{V}, V_S = \pm 9\text{V}$, No Load (Note 10) | ● | | 45 | μA |
| | Output Leakage Current | $V_{PIN5} = -7\text{V}, V_S = \pm 9\text{V}$, No Load | ● | | 3 | μA |
| V_L | Shutdown Pin Input Low Voltage | $V_S = \pm 5\text{V}$ | ● | | -4.7 | V |
| V_H | Shutdown Pin Input High Voltage | $V_S = \pm 5\text{V}$ | ● | -3 | | V |
| GBW | Gain Bandwidth Product | $f = 5\text{kHz}$ | ● | 120 | 225 | kHz |
| | | | ● | 70 | | kHz |
| SR | Slew Rate | $A_V = -1, R_L = \infty, V_O = \pm 4\text{V}$ Measured at $V_O = \pm 2\text{V}$ | ● | 0.0375 | 0.075 | $\text{V}/\mu\text{s}$ |
| | | | ● | 0.0220 | | $\text{V}/\mu\text{s}$ |

ELECTRICAL CHARACTERISTICS

Note 1: Absolute Maximum Ratings are those values beyond which the life of a device may be impaired.

Note 2: A heat sink may be required to keep the junction temperature below absolute maximum.

Note 3: The LT1782C and LT1782I are guaranteed functional over the operating temperature range of -40°C to 85°C . The LT1782H is guaranteed functional over the operating temperature range of -40°C to 125°C .

Note 4: The LT1782C is guaranteed to meet specified performance from 0°C to 70°C . The LT1782C is designed, characterized and expected to meet specified performance from -40°C to 85°C but is not tested or QA sampled at these temperatures. The LT1782I is guaranteed to meet specified performance from -40°C to 85°C . The LT1782H is guaranteed to meet specified performance from -40°C to 125°C .

Note 5: $V_S = 5\text{V}$ limits are guaranteed by correlation to $V_S = 3\text{V}$ and $V_S = \pm 5\text{V}$ or $V_S = \pm 9\text{V}$ tests.

Note 6: $V_S = 3\text{V}$ limits are guaranteed by correlation to $V_S = 5\text{V}$ and $V_S = \pm 5\text{V}$ or $V_S = \pm 9\text{V}$ tests.

Note 7: Guaranteed by correlation to slew rate at $V_S = \pm 5\text{V}$, and GBW at $V_S = 3\text{V}$ and $V_S = \pm 5\text{V}$ tests.

Note 8: This specification implies a typical input offset voltage of 1.8mV at $V_{CM} = 18\text{V}$ and a maximum input offset voltage of 7.2mV at $V_{CM} = 18\text{V}$.

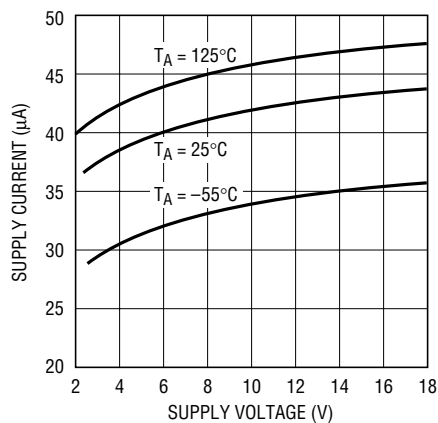
Note 9: This parameter is not 100% tested.

Note 10: Specifications apply to 6-lead SOT-23 with shutdown.

Note 11: Full-power bandwidth is calculated for the slew rate. $\text{FPBW} = \text{SR}/2\pi V_P$.

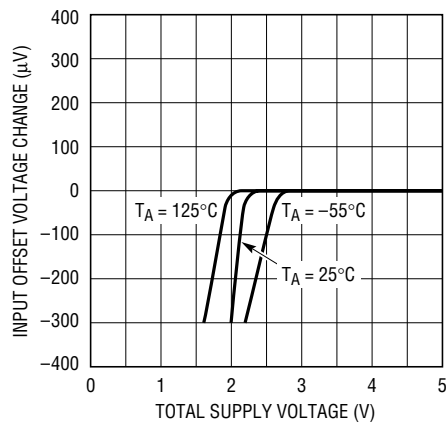
TYPICAL PERFORMANCE CHARACTERISTICS

Supply Current vs Supply Voltage



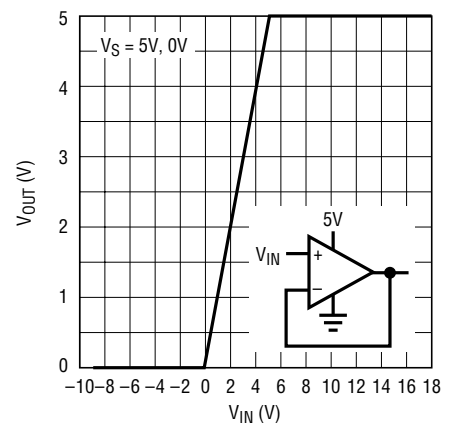
1782 G01

Minimum Supply Voltage



1782 G02

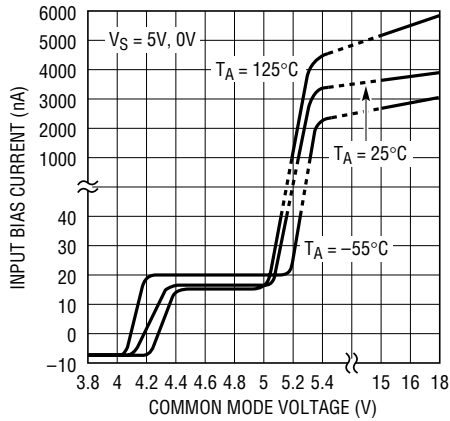
Output Voltage vs Large Input Voltage



1782 G02a

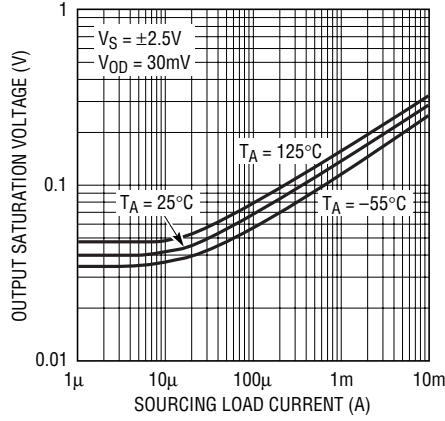
TYPICAL PERFORMANCE CHARACTERISTICS

Input Bias Current vs Common Mode Voltage



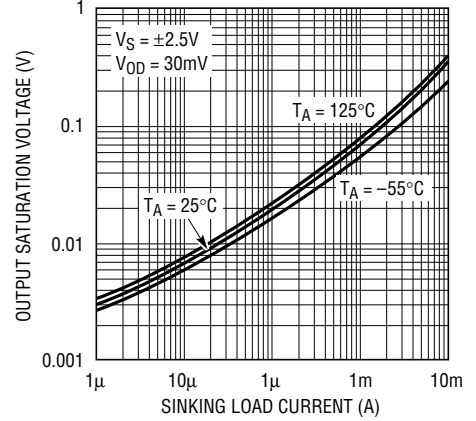
1782 G03

Output Saturation Voltage vs Load Current (Output High)



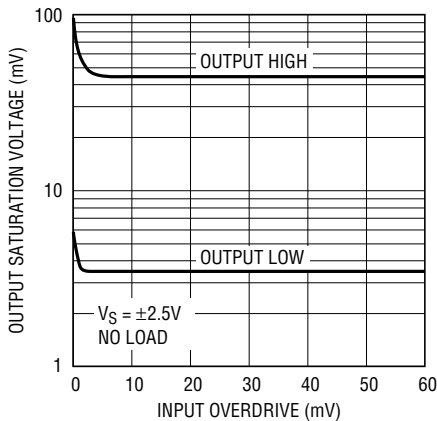
1782 G04

Output Saturation Voltage vs Load Current (Output Low)



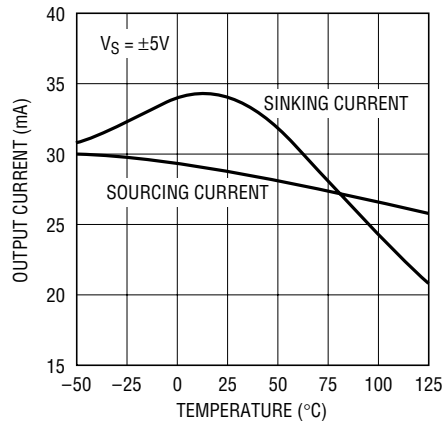
1782 G05

Output Saturation Voltage vs Input Overdrive



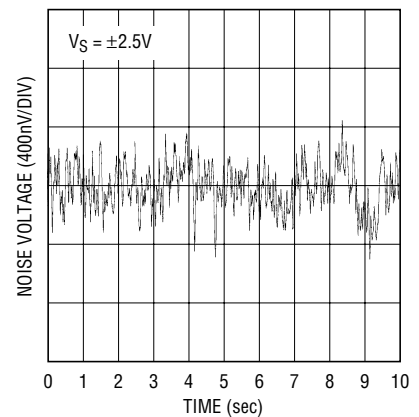
1782 G06

Output Short-Circuit Current vs Temperature



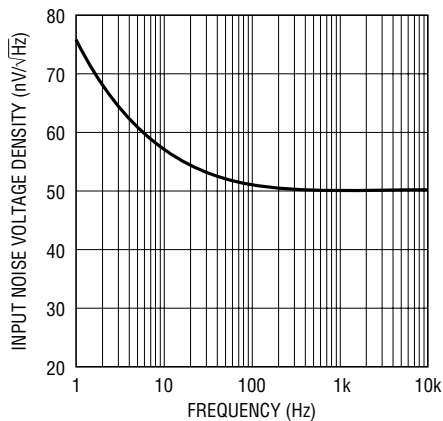
1782 G06a

0.1Hz to 10Hz Noise Voltage



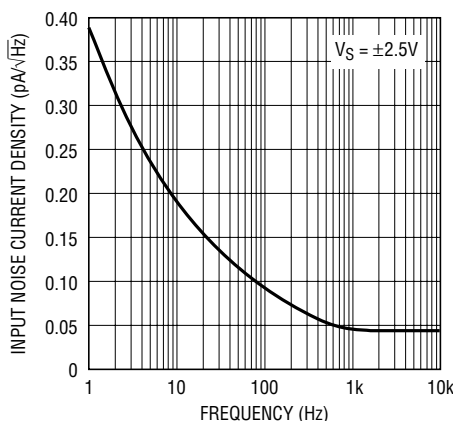
1782 G07

Noise Voltage Density vs Frequency



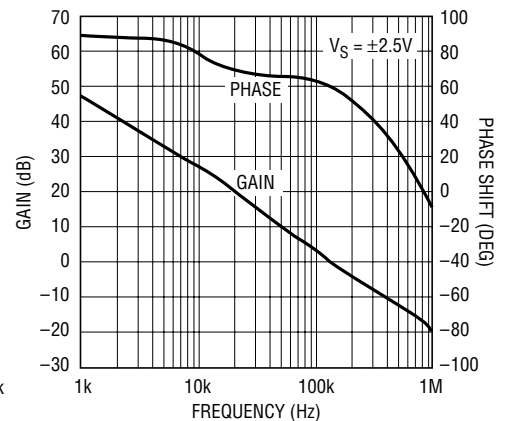
1782 G08

Input Noise Current vs Frequency



1782 G09

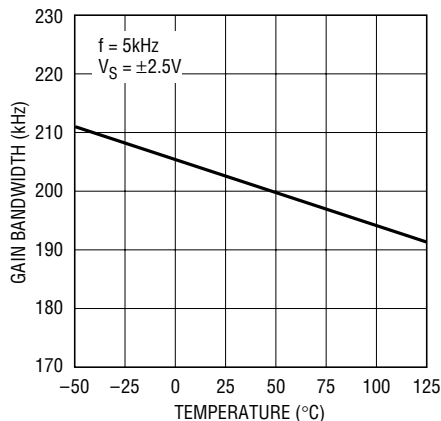
Gain and Phase Shift vs Frequency



1782 G10

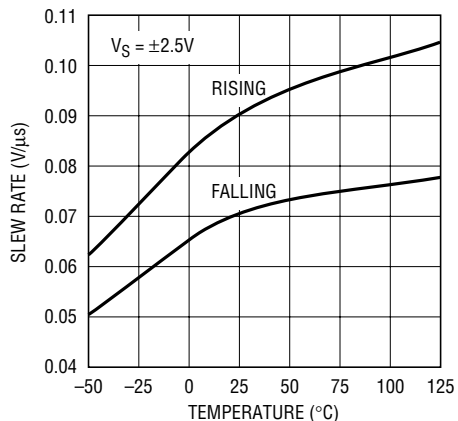
TYPICAL PERFORMANCE CHARACTERISTICS

Gain Bandwidth Product vs Temperature



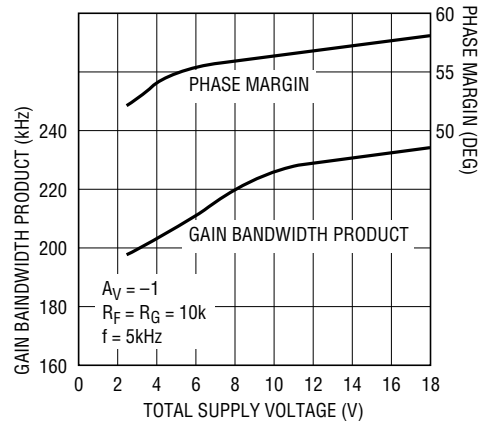
1782 G11

Slew Rate vs Temperature



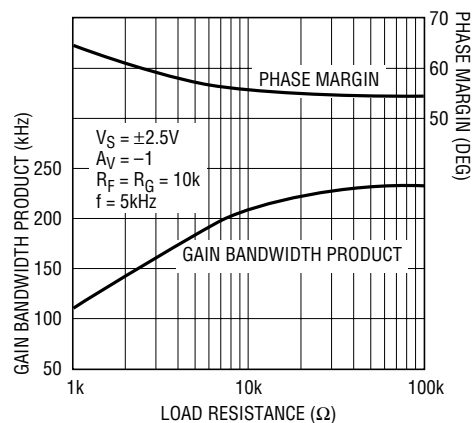
1782 G12

Gain Bandwidth Product and Phase Margin vs Supply Voltage



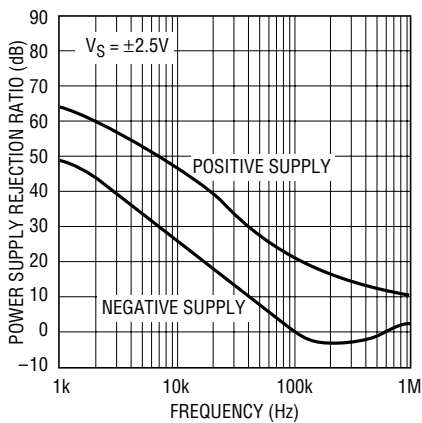
1782 G13

Gain Bandwidth Product and Phase Margin vs Load Resistance



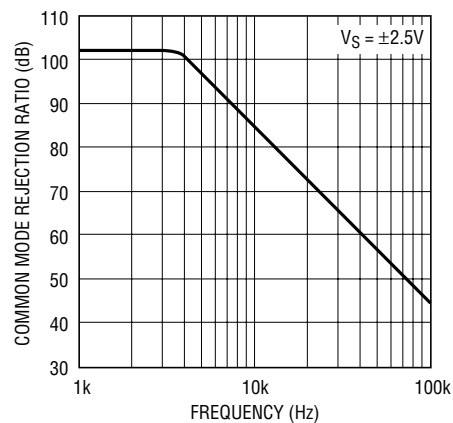
1782 G14

PSRR vs Frequency



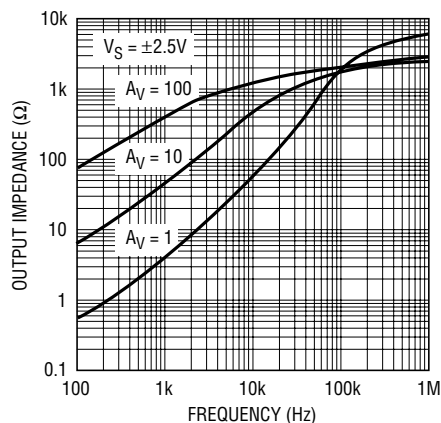
1782 G15

CMRR vs Frequency



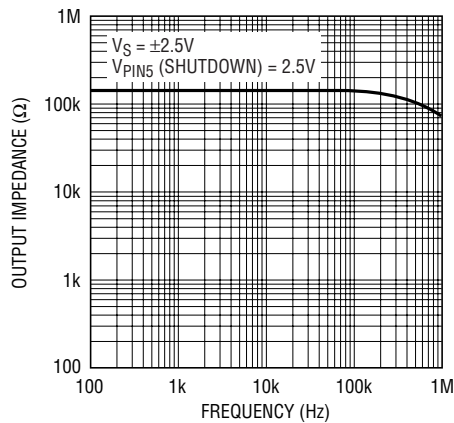
1782 G16

Output Impedance vs Frequency



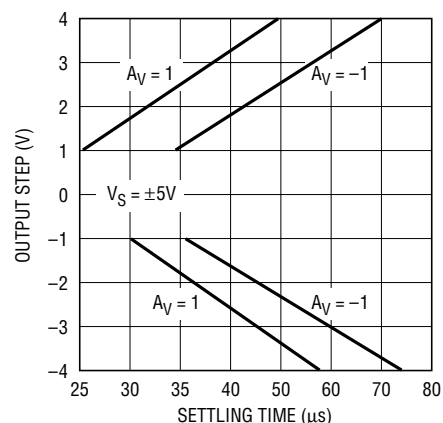
1782 G17

Disabled Output Impedance vs Frequency (Note 8)



1782 G17a

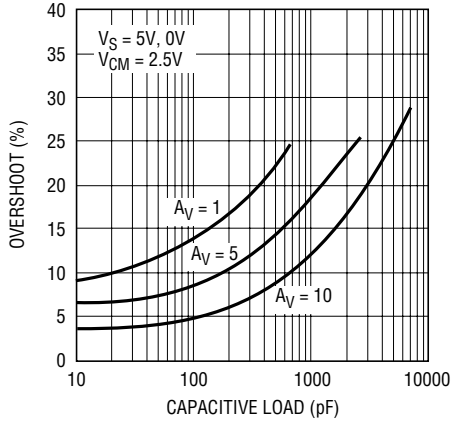
Settling Time to 0.1% vs Output Step



1782 G18

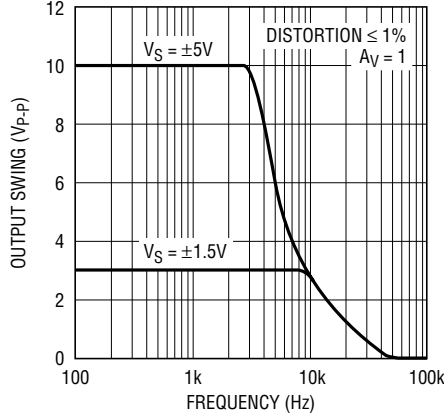
TYPICAL PERFORMANCE CHARACTERISTICS

**Capacitive Load Handling
Overshoot vs Capacitive Load**



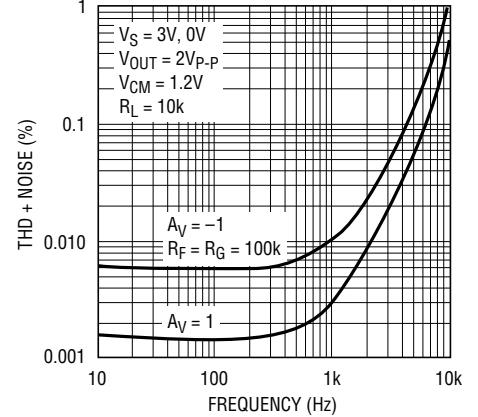
1782 G19

Undistorted Output Swing vs Frequency



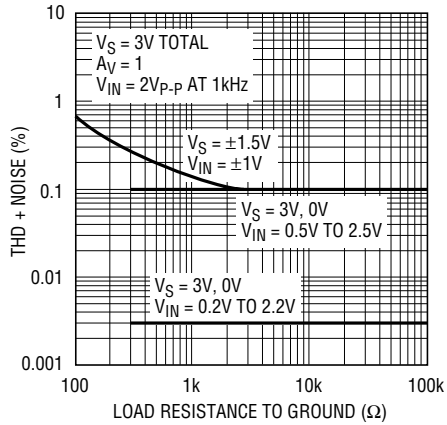
1782 G20

Total Harmonic Distortion + Noise vs Frequency



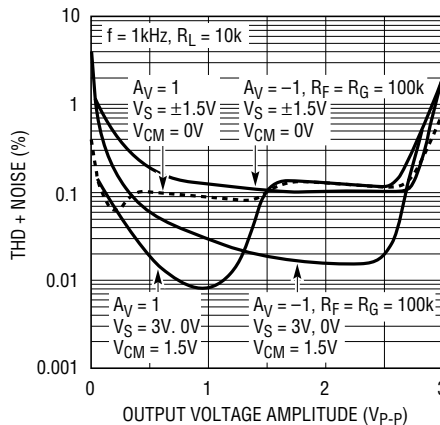
1782 G21

Total Harmonic Distortion + Noise vs Load Resistance



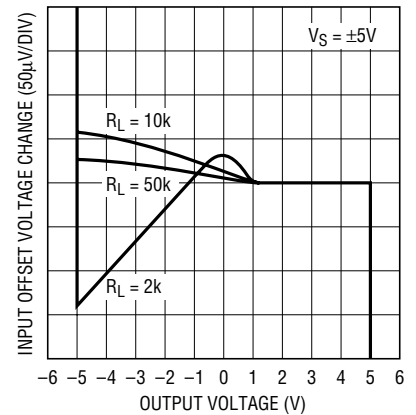
1782 G22

Total Harmonic Distortion + Noise vs Output Voltage Amplitude



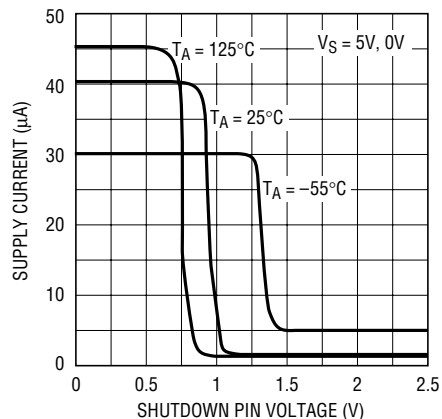
1782 G23

Open-Loop Gain



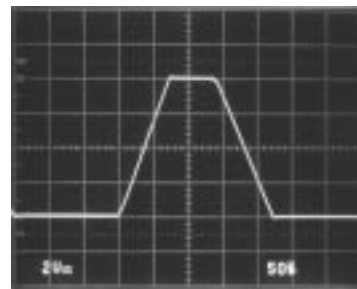
1782 G24

Supply Current vs Shutdown Voltage



1782 G25

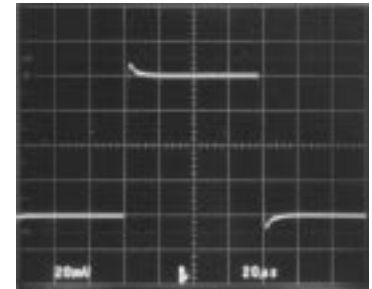
Large-Signal Response



$V_S = \pm 5V$, $A_V = 1$, $C_L = 15pF$

1782 G26

Small-Signal Response



$V_S = \pm 5V$, $A_V = 1$, $C_L = 15pF$

1782 G27

APPLICATIONS INFORMATION

Supply Voltage

The positive supply pin of the LT1782 should be bypassed with a small capacitor (typically $0.1\mu\text{F}$) within an inch of the pin. When driving heavy loads, an additional $4.7\mu\text{F}$ electrolytic capacitor should be used. When using split supplies, the same is true for the negative supply pin.

The LT1782 is protected against reverse battery voltages up to 18V. In the event a reverse battery condition occurs, the supply current is typically less than 1nA.

Inputs

The LT1782 has two input stages, NPN and PNP (see the Simplified Schematic), resulting in three distinct operating regions as shown in the Input Bias Current vs Common Mode typical performance curve.

For input voltages about 0.8V or more below V^+ , the PNP input stage is active and the input bias current is typically -8nA . When the input common mode voltage is within 0.5V of the positive rail, the NPN stage is operating and the input bias current is typically 15nA. Increases in temperature will cause the voltage at which operation switches from the PNP input stage to the NPN input stage to move towards V^+ . The input offset voltage of the NPN stage is untrimmed and is typically 1.8mV.

A Schottky diode in the collector of the input NPN transistors, along with special geometries for these NPN transistors, allows the LT1782 to operate with either or both of its inputs above V^+ . At about 0.3V above V^+ , the NPN input transistor is fully saturated and the input bias current is typically $4\mu\text{A}$ at room temperature. The input offset voltage is typically 1.8mV when operating above V^+ . The LT1782 will operate with its inputs 18V above V^- regardless of V^+ .

The inputs are protected against excursions as much as 10V below V^- by an internal 6k resistor in series with each input and a diode from the input to the negative supply. The input stage of the LT1782 incorporates phase reversal protection to prevent the output from phase reversing for inputs up to 9V below V^- . There are no clamping diodes between the inputs and the maximum differential input voltage is 18V.

Output

The output of the LT1782 can swing to within 60mV of the positive rail with no load and within 3mV of the negative rail with no load. When monitoring voltages within 60mV of the positive rail or within 3mV of the negative rail, gain should be taken to keep the output from clipping. The LT1782 can sink and source over 30mA at $\pm 5\text{V}$ supplies, sourcing current is reduced to 10mA at 3V total supplies as noted in the Electrical Characteristics.

The LT1782 is internally compensated to drive at least 600pF of capacitance under any output loading conditions. A $0.22\mu\text{F}$ capacitor in series with a 150Ω resistor between the output and ground will compensate these amplifiers for larger capacitive loads, up to 10,000pF, at all output currents.

Distortion

There are two main contributors to distortion in op amps: output crossover distortion as the output transitions from sourcing to sinking current, and distortion caused by nonlinear common mode rejection. If the op amp is operating inverting, there is no common mode induced distortion. If the op amp is operating in the PNP input stage (input is not within 0.8V of V^+), the CMRR is very good,

APPLICATIONS INFORMATION

typically 100dB. When the LT1782 switches between input stages, there is significant nonlinearity in the CMRR. Lower load resistance increases the output crossover distortion but has no effect on the input stage transition distortion. For lowest distortion, the LT1782 should be operated single supply, with the output always sourcing current and with the input voltage swing between ground and $(V^+ - 0.8V)$. See the Typical Performance Characteristics curves, "Total Harmonic Distortion + Noise vs Output Voltage Amplitude."

Gain

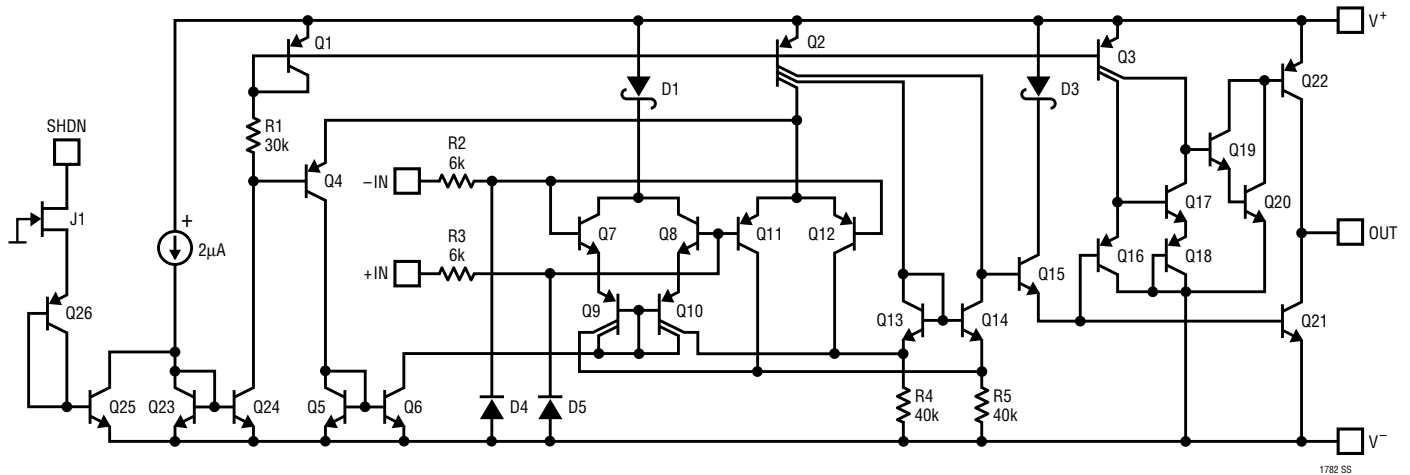
The open-loop gain is almost independent of load when the output is sourcing current. This optimizes perfor-

mance in single supply applications where the load is returned to ground. The typical performance curve of open-loop gain for various loads shows the details.

Shutdown

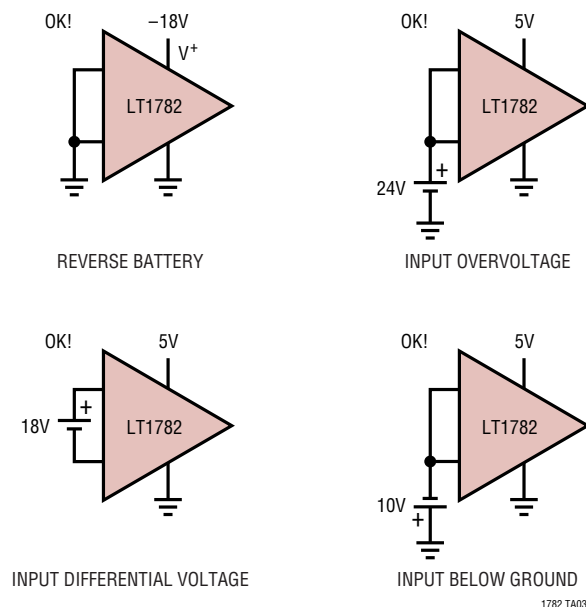
The 6-lead part includes a shutdown feature that disables the part, reducing quiescent current and making the output high impedance. The part can be shut down by bringing the SHDN pin 1.2V or more above V^- . When shut down, the supply current is about $5\mu A$ and the output leakage current is less than $1\mu A$ ($V^- \leq V_{OUT} \leq V^+$). In normal operation, the SHDN pin can be tied to V^- or left floating. See the Typical Performance Characteristics curves, "Supply Current vs Shutdown Pin Voltage."

SIMPLIFIED SCHEMATIC

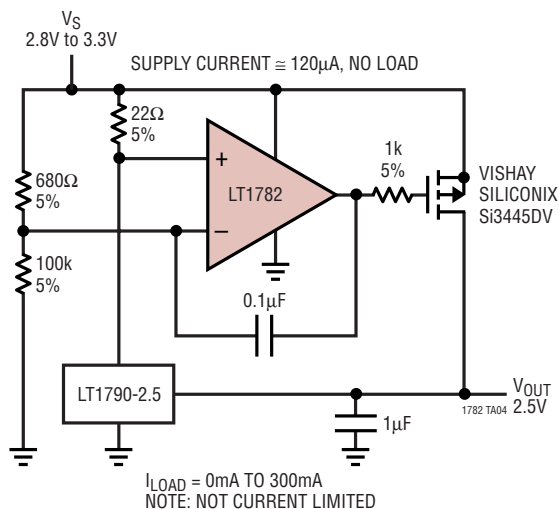


TYPICAL APPLICATIONS

Protected Fault Conditions



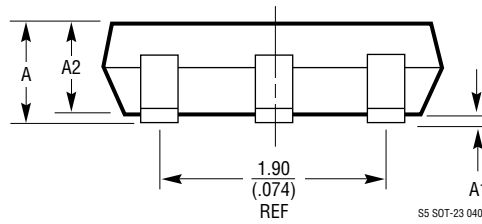
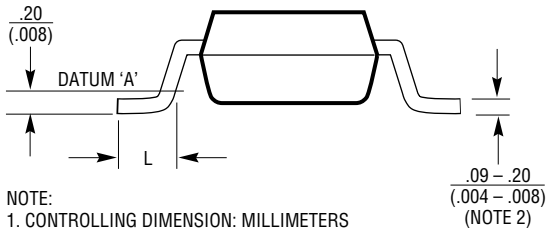
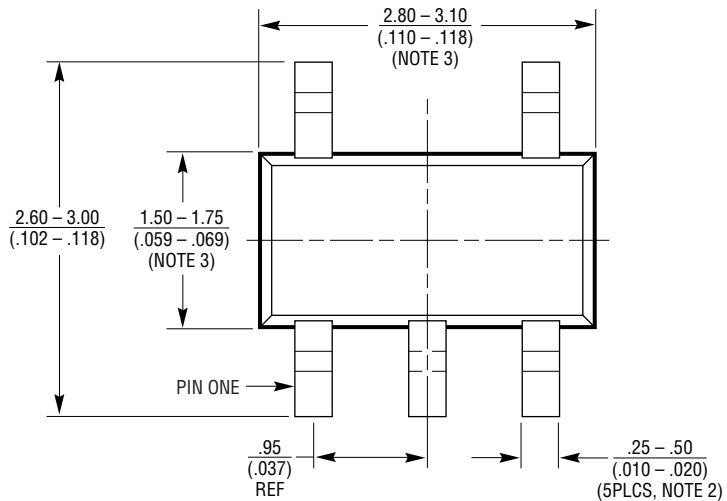
Compact, High Output Current, Low Dropout, Precision 2.5V Supply



PACKAGE DESCRIPTION

S5 Package
5-Lead Plastic SOT-23
 (LTC DWG # 05-08-1633)
 (LTC DWG # 05-08-1635)

| | SOT-23 (Original) | SOT-23 (ThinSOT) |
|-----------|------------------------------------|---|
| A | $\frac{.90 - 1.45}{(.035 - .057)}$ | $\frac{1.00 \text{ MAX}}{(.039 \text{ MAX})}$ |
| A1 | $\frac{.00 - .15}{(.00 - .006)}$ | $\frac{.01 - .10}{(.0004 - .004)}$ |
| A2 | $\frac{.90 - 1.30}{(.035 - .051)}$ | $\frac{.80 - .90}{(.031 - .035)}$ |
| L | $\frac{.35 - .55}{(.014 - .021)}$ | $\frac{.30 - .50 \text{ REF}}{(.012 - .019 \text{ REF})}$ |

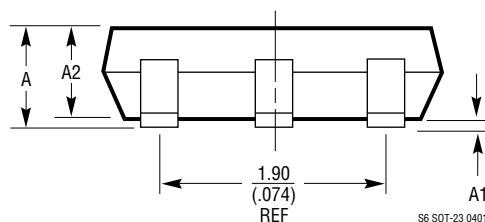
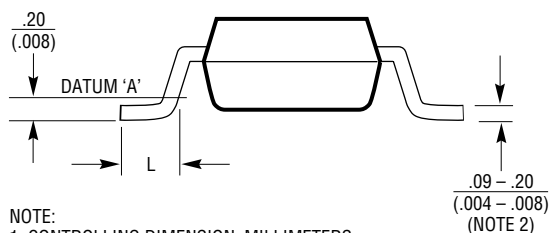
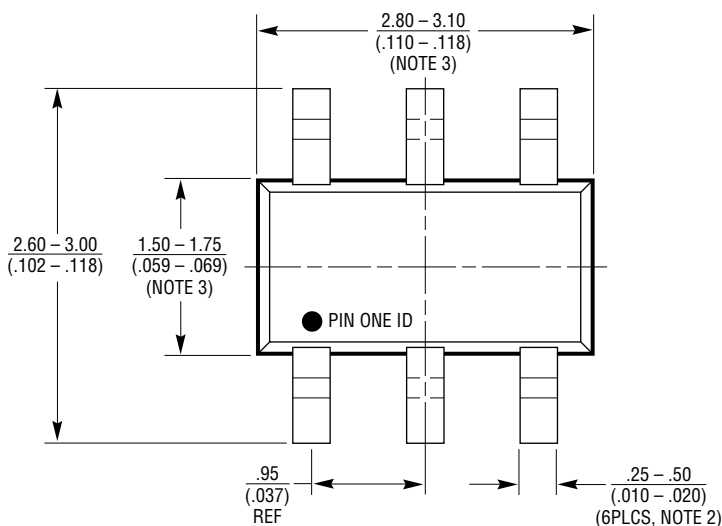


- NOTE:
1. CONTROLLING DIMENSION: MILLIMETERS
 2. DIMENSIONS ARE IN $\frac{\text{MILLIMETERS}}{\text{(INCHES)}}$
 3. DRAWING NOT TO SCALE
 4. DIMENSIONS ARE INCLUSIVE OF PLATING
 5. DIMENSIONS ARE EXCLUSIVE OF MOLD FLASH AND METAL BURR
 6. MOLD FLASH SHALL NOT EXCEED .254mm
 7. PACKAGE EIAJ REFERENCE IS:
 SC-74A (EIAJ) FOR ORIGINAL
 JEDEC MO-193 FOR THIN

PACKAGE DESCRIPTION

S6 Package
6-Lead Plastic SOT-23
 (LTC DWG # 05-08-1634)
 (LTC DWG # 05-08-1636)

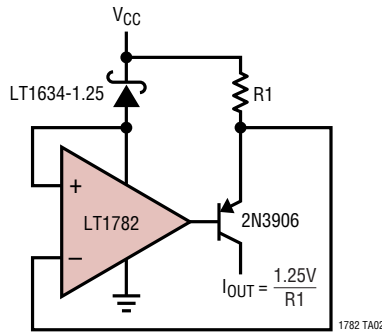
| | SOT-23 (Original) | SOT-23 (ThinSOT) |
|----|------------------------------------|---|
| A | $\frac{.90 - 1.45}{(.035 - .057)}$ | $\frac{1.00 \text{ MAX}}{(.039 \text{ MAX})}$ |
| A1 | $\frac{.00 - 0.15}{(.00 - .006)}$ | $\frac{.01 - .10}{(.0004 - .004)}$ |
| A2 | $\frac{.90 - 1.30}{(.035 - .051)}$ | $\frac{.80 - .90}{(.031 - .035)}$ |
| L | $\frac{.35 - .55}{(.014 - .021)}$ | $\frac{.30 - .50 \text{ REF}}{(.012 - .019 \text{ REF})}$ |



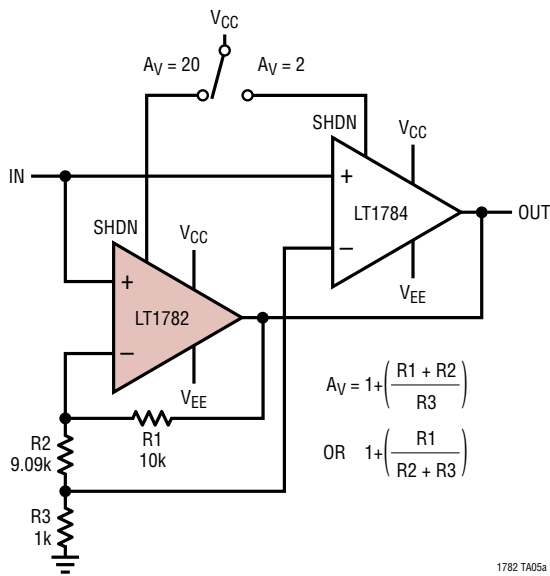
- NOTE:
1. CONTROLLING DIMENSION: MILLIMETERS
 2. DIMENSIONS ARE IN $\frac{\text{MILLIMETERS}}{\text{(INCHES)}}$
 3. DRAWING NOT TO SCALE
 4. DIMENSIONS ARE INCLUSIVE OF PLATING
 5. DIMENSIONS ARE EXCLUSIVE OF MOLD FLASH AND METAL BURR
 6. MOLD FLASH SHALL NOT EXCEED .254mm
 7. PACKAGE EIAJ REFERENCE IS:
 SC-74A (EIAJ) FOR ORIGINAL
 JEDEC MO-193 FOR THIN

TYPICAL APPLICATIONS

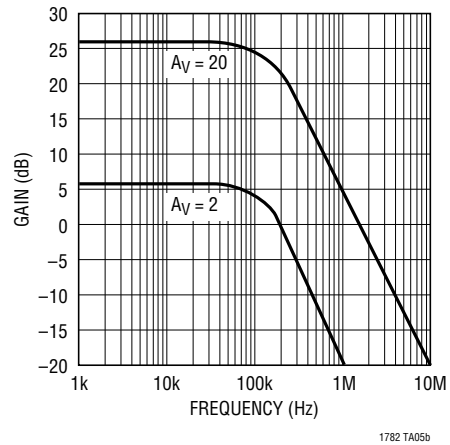
Current Source



Programmable Gain, $A_V = 2$, $A_V = 20$, 100kHz Amplifier



Programmable Gain Amplifier Frequency Response



RELATED PARTS

| PART NUMBER | DESCRIPTION | COMMENTS |
|---------------|---|--|
| LT1783 | Micropower Over-The-Top SOT-23 Rail-to-Rail Input and Output Op Amp | SOT-23 Package, Micropower 210µA per Amplifier, Rail-to-Rail Input and Output , 1.25MHz GBW |
| LT1490/LT1491 | Dual/Quad Over-The-Top Micropower Rail-to-Rail Input and Output Op Amps | Single Supply Input Range: -0.4V to 44V, Micropower 50µA per Amplifier, Rail-to-Rail Input and Output , 200kHz GBW |
| LT1636 | Single Over-The-Top Micropower Rail-to-Rail Input and Output Op Amp | 55µA Supply Current, V_{CM} Extends 44V Above V_{EE} , Independent of V_{CC} , MSOP Package, Shutdown Function |
| LT1638/LT1639 | Dual/Quad, 1.2MHz, 0.4V/µs, Over-The-Top Micropower Rail-to-Rail Input and Output Op Amps | 170µA Supply Current, Single Supply Input Range: -0.4V to 44V, Rail-to-Rail Input and Output |