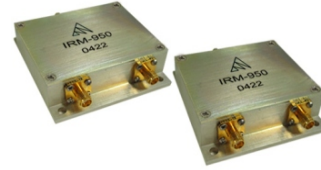


Features

- Frequency range: 10~2500MHz, octave bandwidth
- Low conversion loss
- High image rejection and LO rejection
- Low VSWR
- Low conversion Loss, 50 Ω impedance
- Operating temperature range: -55°C ~ +85°C

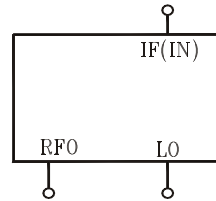


Specifications(measured in a 50 Ω system TA=25°C)

Model	Frequency Range (MHz)			Carrier Power (dBm)	Conversion Loss (dB)Max	Image Rejection (dB)Min	Carrier Rejection (dBc)Min	1dB Compression Point (dBm)Min	VSWR Max
	LO	RF	IF						
IRM-500	475~525	LO ± IF	40~200	+10	7.5	25	37	+3	1.7:1
IRM-720	680~760	LO ± IF	40~200	+10	8.0	25	35	+3	1.7:1
IRM-950	900~1000	LO ± IF	40~200	+10	8.5	25	35	+3	1.7:1
IRM-xxx	10% of f ₀	LO ± IF	Octave	+10	9.0	20	18	+3	1.6:1

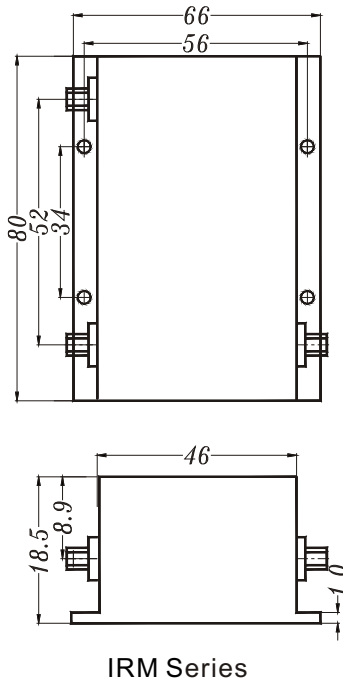
Application Notes

1. Specified LO frequency within 10~2500MHz available, up to octave operating bandwidth



Pin connection:

1. IF(in)
2. Lo
3. RFo



Typical Performance

