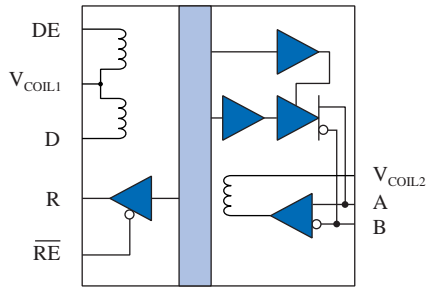
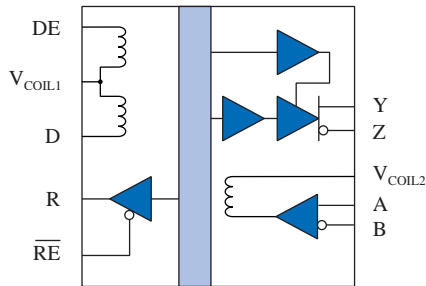


## High Speed RS-485 and RS-422 Isolated Transceivers

### Functional Diagrams



**IL3485**



**IL3422**

### IL3485 Truth Table

$V_{(A-B)}$	DE	D	R	RE	Mode
$\geq 200$ mV	H	H	H	L	Drive
$\leq -200$ mV	H	L	L	L	Drive
$\geq 200$ mV	L	X	H	L	Receive
$\leq -200$ mV	L	X	L	L	Receive
X	X	X	Z	H	X
Open	L	X	H	L	Receive

Z = High Impedance X = Irrelevant

### IL3422 Receiver

RE	R	$V_{(A-B)}$
H	Z	X
L	H	$\geq 200$ mV
L	L	$\leq -200$ mV
L	H	Open

### IL3422 Driver

DE	D	$V_{(Y-Z)}$
L	X	Z
H	H	$\geq 200$ mV
H	L	$\leq -200$ mV

### Selection Table

Model	Full/Half Duplex	No. of Devices Allowed on Bus	Data Rate Mbps	Fail-Safe
IL3485	half	32	20	yes
IL3422	full	32	20	yes

### Features

- 3.3 V / 5 V Input Supply Compatible
- 20 Mbps Data Rate
- Supports Up to 32 Nodes
- $\pm 15$  kV ESD Protection
- 2500 V<sub>RMS</sub> Isolation (1 minute)
- 20 kV/ $\mu$ s Typical Common Mode Rejection
- Thermal Shutdown Protection
- $-40^{\circ}\text{C}$  to  $+85^{\circ}\text{C}$  Temperature Range
- IEC 61010-2001 Approval
- UL1577 Approval (pending)
- 0.15" or 0.3" 16-pin SOIC Packages

### Applications

- Data Loggers
- P.O.S. Systems
- Security Networks
- Building Environmental Controls
- Industrial Control Networks
- Factory Automation

### Description

The IL3485 and IL3422 are galvanically isolated, differential bus transceivers designed for bidirectional data communication over balanced transmission lines. The devices use NVE's patented\* IsoLoop spintronic Giant Magnetoresistance (GMR) technology. The IL3485 delivers at least 1.5 V into a 54  $\Omega$  load, and the IL3422 at least 2 V into a 100  $\Omega$  load, allowing excellent data integrity over long cables. These devices are also compatible with 3.3 V input supplies, allowing interface to standard microcontrollers without additional level shifting.

Both the IL3485 and IL3422 have current limiting and thermal shutdown features to protect against output short circuits and bus contentions that may cause excessive power dissipation. The receivers also incorporate a "fail-safe if open" design, ensuring a logic high on R if the bus lines are disconnected or "floating."

A 16 pF capacitor ( $C_{\text{Boost}}$ ; see page 8) must be placed across the current limit resistor to ensure the full specified performance.

### Absolute Maximum Ratings

Operating at absolute maximum ratings will not damage the device. However, extended periods of operation at the absolute maximum ratings may affect performance and reliability.

Parameters	Symbol	Min.	Typ.	Max.	Units	Test Conditions
Storage Temperature	$T_S$	-65		150	°C	
Ambient Operating Temperature	$T_A$	-40		85	°C	
Voltage Range at A or B Bus Pins		-7		12	V	
Supply Voltage <sup>(1)</sup>	$V_{DD1}, V_{DD2}$	-0.5		7	V	
Digital Input Voltage		-0.5		$V_{DD}+0.5$	V	
Digital Output Voltage		-0.5		$V_{DD}+1$	V	
ESD Protection		±15			kV	
Input Current	$I_{IN}$	-25		+25	mA	

Note 1. All voltage values are with respect to network ground except differential I/O bus voltages.

### Recommended Operating Conditions

Parameters	Symbol	Min.	Typ.	Max.	Units	Test Conditions
Supply Voltage	$V_{DD1}$ $V_{DD2}$	3.0 4.5		5.5 5.5	V	
Ambient Operating Temperature	$T_A$	-40		85	°C	
Input Voltage at any Bus Terminal (separately or common mode)	$V_I$ $V_{IC}$			12 -7	V	
Input Threshold for Output Logic High	$I_{INH}$		1.5	0.8	mA	
Input Threshold for Output Logic Low	$I_{INL}$	5	3.5		mA	
Differential Input Voltage <sup>(2)</sup>	$V_{ID}$			+12/-7	V	
High-Level Output Current (Driver)	$I_{OH}$			-60	mA	
High-Level Digital Output Current (Receiver)	$I_{OH}$	-8		8	mA	
Low-Level Output Current (Driver)	$I_{OL}$	-60		60	mA	
Low-Level Digital Output Current (Receiver)	$I_{OL}$	-8		8	mA	
Ambient Operating Temperature	$T_A$	-40		85	°C	
Digital Input Signal Rise, Fall Times	$t_{IR}, t_{IF}$			1	µs	

### Insulation Specifications

Parameters	Symbol	Min.	Typ.	Max.	Units	Test Conditions
Creepage Distance (external)		8.08			mm	
Barrier Impedance			$>10^{14} \parallel 7$		$\Omega \parallel pF$	
Leakage Current			0.2		µA	240 $V_{RMS}$ , 60 Hz

### Safety Approvals

#### IEC61010-2001

TUV Certificate Numbers: N1502812, N1502812-101

#### Classification: Reinforced Insulation

Models	Package	Pollution Degree	Material Group	Max. Working Voltage
IL3422E, IL3485E, IL3422-3E, IL3485-3E	SOIC (0.15" and 0.3")	II	III	300 $V_{RMS}$

#### UL 1577

Rated 2500  $V_{RMS}$  for 1 minute  
Component Recognition Program File Number: E207481

#### Soldering Profile

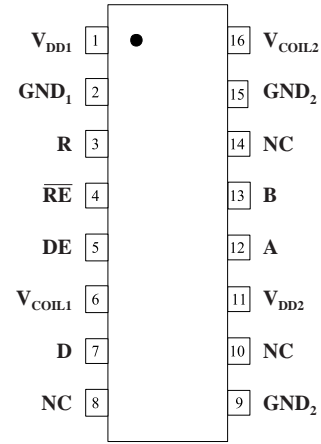
Per JEDEC J-STD-020C, MSL=2

#### Electrostatic Discharge Sensitivity

This product has been tested for electrostatic sensitivity to the limits stated in the specifications. However, NVE recommends that all integrated circuits be handled with appropriate care to avoid damage. Damage caused by inappropriate handling or storage could range from performance degradation to complete failure.

**IL3485-3 Pin Connections (0.15" SOIC Package)**

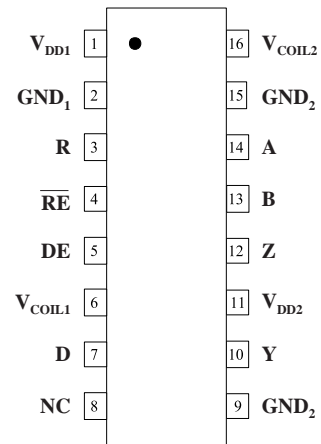
1	V <sub>DD1</sub>	Input power supply
2	GND <sub>1</sub>	Ground return for V <sub>DD1</sub>
3	R	Output data from bus
4	$\overline{\text{RE}}$	Read enable (if RE is high, R is high impedance)
5	DE	Drive enable
6	V <sub>COIL1</sub>	Coils for DE and D (connect to V <sub>DD1</sub> )
7	D	Data input to bus
8	NC	No internal connection
9	GND <sub>2</sub>	Ground return for V <sub>DD2</sub>
10	NC	No internal connection
11	V <sub>DD2</sub>	Output power supply
12	A	Non-inverting bus line
13	B	Inverting bus line
14	NC	No internal connection
15	GND <sub>2</sub>	Ground return for V <sub>DD2</sub>
16	V <sub>COIL2</sub>	Coil for R (connect to V <sub>DD2</sub> )



**IL3485-3**

**IL3422-3 Pin Connections (0.15" SOIC Package)**

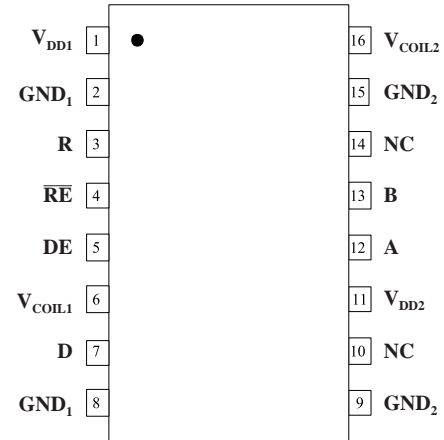
1	V <sub>DD1</sub>	Input power supply
2	GND <sub>1</sub>	Ground return for V <sub>DD1</sub>
3	R	Output data from bus
4	$\overline{\text{RE}}$	Read enable (if RE is high, R is high impedance)
5	DE	Drive enable
6	V <sub>COIL1</sub>	Coils for DE and D (connect to V <sub>DD1</sub> )
7	D	Data input to bus
8	NC	No internal connection
9	GND <sub>2</sub>	Ground return for V <sub>DD2</sub>
10	Y	Non-inverting driver bus line
11	V <sub>DD2</sub>	Output power supply
12	Z	Inverting driver bus line
13	B	Inverting receiver bus line
14	A	Non-inverting receiver bus line
15	GND <sub>2</sub>	Ground return for V <sub>DD2</sub>
16	V <sub>COIL2</sub>	Coil for R (connect to V <sub>DD2</sub> )



**IL3422-3**

## IL3485 Pin Connections (0.3" SOIC Package)

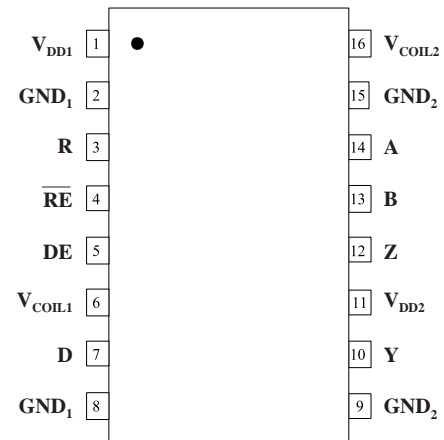
1	V <sub>DD1</sub>	Input power supply
2	GND <sub>1</sub>	Ground return for V <sub>DD1</sub>
3	R	Output data from bus
4	$\overline{\text{RE}}$	Read enable (if RE is high, R is high impedance)
5	DE	Drive enable
6	V <sub>COIL1</sub>	Coils for DE and D (connect to V <sub>DD1</sub> )
7	D	Data input to bus
8	GND <sub>1</sub>	V <sub>DD1</sub> ground return for 0.3" package (no internal connection on 0.15" IL3485-3)
9	GND <sub>2</sub>	Ground return for V <sub>DD2</sub>
10	NC	No internal connection
11	V <sub>DD2</sub>	Output power supply
12	A	Non-inverting bus line
13	B	Inverting bus line
14	NC	No internal connection
15	GND <sub>2</sub>	Ground return for V <sub>DD2</sub>
16	V <sub>COIL2</sub>	Coil for R (connect to V <sub>DD2</sub> )



**IL3485**

## IL3422 Pin Connections (0.3" SOIC Package)

1	V <sub>DD1</sub>	Input power supply
2	GND <sub>1</sub>	Ground return for V <sub>DD1</sub>
3	R	Output data from bus
4	$\overline{\text{RE}}$	Read enable (if RE is high, R is high impedance)
5	DE	Drive enable
6	V <sub>COIL1</sub>	Coils for DE and D (connect to V <sub>DD1</sub> )
7	D	Data input to bus
8	GND <sub>1</sub>	V <sub>DD1</sub> ground return for 0.3" package (no internal connection on 0.15" IL3422-3)
9	GND <sub>2</sub>	Ground return for V <sub>DD2</sub>
10	Y	Non-inverting driver bus line
11	V <sub>DD2</sub>	Output power supply
12	Z	Inverting driver bus line
13	B	Inverting receiver bus line
14	A	Non-inverting receiver bus line
15	GND <sub>2</sub>	Ground return for V <sub>DD2</sub>
16	V <sub>COIL2</sub>	Coil for R (connect to V <sub>DD2</sub> )



**IL3422**

### Driver Section

Electrical specifications are  $T_{min}$  to  $T_{max}$  unless otherwise stated.

Parameters	Symbol	Min.	Typ.	Max.	Units	Test Conditions
Coil Input Impedance	$Z_{COIL}$		85  9		$\Omega  nH$	$T_{AMB} = 25^{\circ}C$ $V_{DD} = 3.0 V$ to 5.5 V
Temperature Coefficient of Coil Resistance	TC $R_{COIL}$		0.2	0.25	$\Omega/^{\circ}C$	$V_{DD} = 3.0 V$ to 5.5 V
Output voltage				$V_{DD}$	V	$I_O = 0$
Differential Output Voltage	$ V_{OD1} $			$V_{DD}$	V	$I_O = 0$
Differential Output Voltage	$ V_{OD2} $	2	3		V	$R_L = 100 \Omega$ , $V_{DD} = 5 V$
Differential Output Voltage <sup>(6)</sup>	$V_{OD3}$	1.5	2.3		V	$R_L = 54 \Omega$ , $V_{DD} = 5 V$
Change in Magnitude <sup>(7)</sup> of Differential Output Voltage	$\Delta V_{OD} $			$\pm 0.2$	V	$R_L = 54 \Omega$ or 100 $\Omega$
Common Mode Output Voltage	$V_{OC}$			3	V	$R_L = 54 \Omega$ or 100 $\Omega$
Change in Magnitude <sup>(7)</sup> of Common Mode Output Voltage	$\Delta V_{OC} $			0.2	V	$R_L = 54 \Omega$ or 100 $\Omega$
Output Current <sup>(4)</sup>				1 -0.8	mA mA	Output disabled, $V_O = 12 V$ $V_O = -7 V$
High Level Input Current	$I_{IH}$			0.8	mA	
Low Level Input Current	$I_{IL}$	5	3.5		mA	
Short-circuit Output Current	$I_{OS}$	60		250	mA	$-7 V < V_O < 12 V$
Supply Current ( $V_{DD2} = +5 V$ )	$I_{DD2}$		6	7	mA	No Load
( $V_{DD1} = +5 V$ )	$I_{DD1}$		2.5	3	mA	(Outputs Enabled)
Supply Current ( $V_{DD1} = +3.3 V$ )	$I_{DD2}$		1.3	2	mA	No Load (Outputs Enabled)

#### Switching Specifications ( $V_{DD1} = +5 V$ , $C_{boost} = 16pF$ )

Parameters	Symbol	Min.	Typ.	Max.	Units	Test Conditions
Data Rate		20			Mbps	$R_L = 54 \Omega$ , $C_L = 50 pF$
Differential Output Prop Delay	$t_D(OD)$		40	65	ns	$R_L = 54 \Omega$ , $C_L = 50 pF$
Pulse Skew <sup>(10)</sup>	$t_{SK}(P)$		6	15	ns	$R_L = 54 \Omega$ , $C_L = 50 pF$
Differential Output Rise and Fall Time	$t_T(OD)$	3	12	25	ns	$R_L = 54 \Omega$ , $C_L = 50 pF$
Output Enable Time to High Level	$t_{PZH}$		25	40	ns	$R_L = 54 \Omega$ , $C_L = 50 pF$
Output Enable Time to Low Level	$t_{PZL}$		25	40	ns	$R_L = 54 \Omega$ , $C_L = 50 pF$
Output Disable Time from High Level	$t_{PHZ}$		25	40	ns	$R_L = 54 \Omega$ , $C_L = 50 pF$
Output Disable Time from Low Level	$t_{PLZ}$		25	40	ns	$R_L = 54 \Omega$ , $C_L = 50 pF$
Skew Limit <sup>(3)</sup>	$t_{SK}(LIM)$			8	ns	$R_L = 54 \Omega$ , $C_L = 50pF$
Common Mode Rejection	$ CM_H ,  CM_L $	15	20		kV/ $\mu s$	$V_T = 300 V_{peak}$

#### Switching Specifications ( $V_{DD1} = +3.3 V$ , $C_{boost} = 16pF$ )

Parameters	Symbol	Min.	Typ.	Max.	Units	Test Conditions
Data Rate		20			Mbps	$R_L = 54 \Omega$ , $C_L = 50 pF$
Differential Output Prop Delay	$t_D(OD)$		40	65	ns	$R_L = 54 \Omega$ , $C_L = 50 pF$
Pulse Skew <sup>(10)</sup>	$t_{SK}(P)$		6	15	ns	$R_L = 54 \Omega$ , $C_L = 50 pF$
Differential Output Rise and Fall Time	$t_T(OD)$	3	12	25	ns	$R_L = 54 \Omega$ , $C_L = 50 pF$
Output Enable Time to High Level	$t_{PZH}$		25	40	ns	$R_L = 54 \Omega$ , $C_L = 50 pF$
Output Enable Time to Low Level	$t_{PZL}$		25	40	ns	$R_L = 54 \Omega$ , $C_L = 50 pF$
Output Disable Time from High Level	$t_{PHZ}$		25	40	ns	$R_L = 54 \Omega$ , $C_L = 50 pF$
Output Disable Time from Low Level	$t_{PLZ}$		25	40	ns	$R_L = 54 \Omega$ , $C_L = 50 pF$
Skew Limit <sup>(3)</sup>	$t_{SK}(LIM)$			8	ns	$R_L = 54 \Omega$ , $C_L = 50pF$
Common Mode Rejection	$ CM_H ,  CM_L $	15	20		kV/ $\mu s$	$V_T = 300 V_{peak}$

## Receiver Section

Electrical specifications are  $T_{min}$  to  $T_{max}$  unless otherwise stated.

Parameters	Symbol	Min.	Typ.	Max.	Units	Test Conditions
Coil Input Impedance	$Z_{COIL}$		85  9		$\Omega  nH$	$T_{AMB} = 25^{\circ}C$ $V_{DD} = 3.0 V$ to $5.5 V$
Temperature Coefficient of Coil Resistance	TC $R_{COIL}$		0.2	0.25	$\Omega/^{\circ}C$	$V_{DD} = 3.0 V$ to $5.5 V$
Positive-going Input Threshold	$V_{IT+}$			0.2	V	$-7 V < V_{CM} < 12 V$
Negative-going Input Threshold	$V_{IT-}$	-0.2			V	$-7 V < V_{CM} < 12 V$
Hysteresis Voltage ( $V_{it+} - V_{it-}$ )	$V_{HYS}$		70		mV	$V_{CM} = 0V$ , $T = 25^{\circ}C$
High Level Digital Output Voltage	$V_{OH}$	$V_{DD} - 0.2$	$V_{DD} - 0.2$		V	$V_{ID} = 200 mV$ $I_{OH} = 4 mA$
Low Level Digital Output Voltage	$V_{OL}$			0.8	V	$V_{ID} = -200 mV$ $I_{OL} = 4 mA$
High impedance state output current	$I_{OZ}$			10	$\mu A$	$0.4 \leq V_{O} \leq (V_{DD2} - 0.5) V$
Line Input Current <sup>(8)</sup>	$I_I$			1	mA	$V_I = 12 V$
				-0.8	mA	$V_I = -7 V$
Input Resistance	$r_I$	12	25		k $\Omega$	
<b>Switching Characteristics. (<math>V_{DD1} = +5 V</math>, <math>C_{boost} = 16pF</math>)</b>						
Parameters	Symbol	Min.	Typ.	Max.	Units	Test Conditions
Data Rate		20			Mbps	$R_L = 54 \Omega$ , $C_L = 50 pF$
Propagation Delay <sup>(9)</sup>	$t_{PD}$		50	85	ns	$-1.5 \leq V_O \leq 1.5 V$ , $C_L = 15 pF$
Pulse Skew <sup>(10)</sup>	$t_{SK}(P)$		10	17	ns	$-1.5 \leq V_O \leq 1.5 V$ , $C_L = 15 pF$
Skew Limit <sup>(3)</sup>	$t_{SK}(LIM)$		2	8	ns	$R_L = 54 \Omega$ , $C_L = 50 pF$
Output Enable Time to High Level	$t_{PZH}$		4	10	ns	$C_L = 15 pF$
Output Enable Time to Low Level	$t_{PZL}$		4	10	ns	$C_L = 15 pF$
Output Disable Time from High Level	$t_{PHZ}$		4	10	ns	$C_L = 15 pF$
Output Disable Time from Low Level	$t_{PLZ}$		4	10	ns	$C_L = 15 pF$
<b>Switching Characteristics. (<math>V_{DD1} = +3.3 V</math>, <math>C_{boost} = 16pF</math>)</b>						
Parameters	Symbol	Min.	Typ.	Max.	Units	Test Conditions
Data Rate		20			Mbps	$R_L = 54 \Omega$ , $C_L = 50 pF$
Propagation Delay <sup>(9)</sup>	$t_{PD}$		55	85	ns	$-1.5 \leq V_O \leq 1.5 V$ , $C_L = 15 pF$
Pulse Skew <sup>(10)</sup>	$t_{SK}(P)$		12	18	ns	$-1.5 \leq V_O \leq 1.5 V$ , $C_L = 15 pF$
Skew Limit <sup>(3)</sup>	$t_{SK}(LIM)$		4	10	ns	$R_L = 54 \Omega$ , $C_L = 50 pF$
Output Enable Time to High Level	$t_{PZH}$		5	10	ns	$C_L = 15 pF$
Output Enable Time to Low Level	$t_{PZL}$		5	10	ns	$C_L = 15 pF$
Output Disable Time from High Level	$t_{PHZ}$		5	10	ns	$C_L = 15 pF$
Output Disable Time from Low Level	$t_{PLZ}$		5	10	ns	$C_L = 15 pF$

**Notes** (apply to both driver and receiver sections):

- All voltages are with respect to network ground except differential I/O bus voltages.
- Differential input/output voltage is measured at the non-inverting terminal A with respect to the inverting terminal B.
- Skew limit is the maximum difference in any two channels in one device.
- The power-off measurement in ANSI Standard EIA/TIA-422-B applies to disabled outputs only and is not applied to combined inputs and outputs.
- All typical values are at  $V_{DD1}$ ,  $V_{DD2} = 5 V$  or  $V_{DD1} = 3.3 V$  and  $T_A = 25^{\circ}C$ .
- While  $-7 V < V_{CM} < 12 V$ , the minimum  $V_{OD2}$  with a  $54 \Omega$  load is either  $\frac{1}{2} V_{OD1}$  or  $1.5 V$ , whichever is greater.
- $\Delta|V_{OD}|$  and  $\Delta|V_{OC}|$  are the changes in magnitude of  $V_{OD}$  and  $V_{OC}$ , respectively, that occur when the input is changed from one logic state to the other.
- This applies for both power on and power off; refer to ANSI standard RS-485 for exact condition. The EIA/TIA-422-B limit does not apply for a combined driver and receiver terminal.
- Includes 10 ns read enable time. Maximum propagation delay is 25 ns after read assertion.
- Pulse skew is defined as the  $|t_{PLH} - t_{PHL}|$  of each channel.

**Power Supply Decoupling**

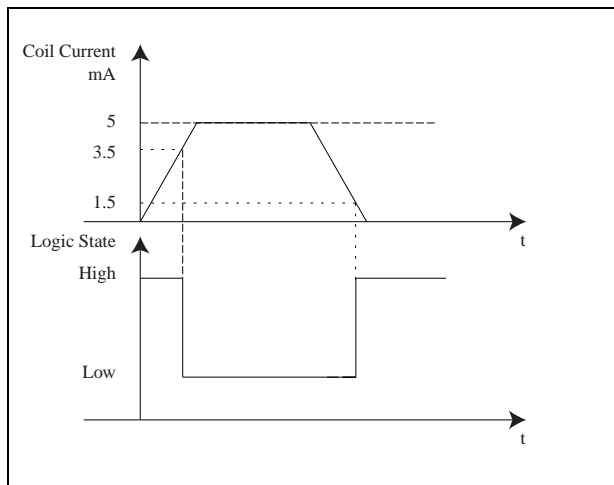
Both  $V_{DD1}$  and  $V_{DD2}$  must be bypassed with 47 nF ceramic capacitors. These should be placed as close as possible to  $V_{DD}$  pins for proper operation. Additionally,  $V_{DD2}$  should be bypassed with a 10  $\mu$ F tantalum capacitor.

**Operation**

The IL3422 and IL3485 are current-mode devices. Changes in input coil current switch internal spintronic GMR sensors, which then change the logic state of the outputs. The GMR bridge is designed so the output of the isolator is logic high when no field signal is present.

A single resistor is required to limit the input coil current to the recommended 5 mA. The absolute maximum current through any coil is 25 mA DC. Although logic threshold currents are typically less than the worst-case 5 mA, NVE recommends designing for 5 mA logic threshold current in all applications.

Figure 1 shows the input response of the IL3422 and IL3485. Output logic high is the zero input current state. The output switches to the low state with approximately 3.5 mA of coil current, and back to the high state when the input current falls below approximately 1.5 mA. This allows glitch-free interface with low slew-rate signals.



**Figure 1. IL3000 Series Input Transfer Function**

**Magnetic Field Booster Capacitor**

A small capacitor (200 pF to 1 nF) in parallel the current limiting resistor boosts the instantaneous current through the coil at the point of signal transition. The resultant magnetic field boost pushes the GMR bridge output through the comparator threshold voltage with less propagation delay and pulse width distortion. The booster capacitor gives a great deal of design headroom and can usually eliminate design concerns related to temperature and power supply fluctuations.

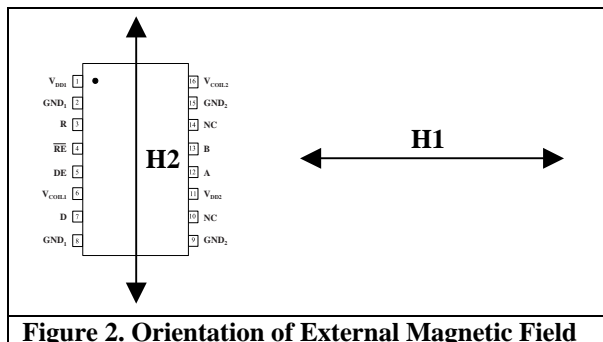
**Magnetic Field Immunity**

IsoLoop devices operate by imposing a magnetic field on a GMR sensor, which translates the change in field into a change in logic state. The devices are manufactured with a magnetic shield above the sensor. The shield acts as a flux concentrator to boost the magnetic signal from the internal coil, and as a shield against external magnetic fields. The shield absorbs surrounding stray flux until it becomes saturated. At saturation the shield is transparent to external applied fields, and the GMR sensor may react to the field. To compensate for this effect,

IsoLoop Isolators use Wheatstone Bridge structures that are only sensitive to differential magnetic fields. There are several ways to further enhanced the magnetic field immunity of IL3000 Transceivers. Providing a larger internal field will reduce the effect of an external field on the GMR sensor. Immunity to external magnetic fields can also be enhanced by proper orientation of the device with respect to the field direction and field boosting capacitors.

**Orientation of the device with respect to the field direction**

An applied field in the “H1” direction is the worst case for magnetic immunity. In this case the external field is in the same direction as the applied internal field. In one direction it will tend to help switching; in the other it will hinder switching. This can cause unpredictable operation.



**Figure 2. Orientation of External Magnetic Field**

An applied field in the direction of “H2” has considerably less effect on the sensor and will result in significantly higher immunity levels as shown in Table 1.

The greatest magnetic immunity is achieved by adding the current boost capacitor across the input resistor. Very high immunity can be achieved with this method.



Method	Approximate Immunity	Immunity Description
Field applied in direction H1	±20 Gauss	A DC current of 16 A flowing in a conductor 1 cm from the device could cause disturbance
Field applied in direction H2	±70 Gauss	A DC current of 56 A flowing in a conductor 1 cm from the device could cause disturbance
Field applied in any direction but with field booster capacitor (1 nF) in circuit	±250 Gauss	A DC current of 200 A flowing in a conductor 1 cm from the device could cause disturbance

**Table 1. Magnetic Immunity**

### Data Rate and Magnetic Field Immunity

It is easier to disrupt an isolated DC signal with an external magnetic field than it is to disrupt an isolated AC signal. Similarly, a DC magnetic field will have a greater effect on the device than an AC magnetic field of the same effective magnitude. For example, signals with pulses greater than 100  $\mu$ s long are more susceptible to magnetic fields than shorter pulse widths. For input signals faster than 1 MHz, a 1 nF field boost capacitor provides as much as 400 Gauss immunity, while the same input capacitor might provide just 70 Gauss of immunity at 50 kHz.

### Applications Information

RS-485 and RS-422 are differential (balanced) data transmission standards for use over long distances or in noisy environments. RS-422 is an RS-485 subset, so RS-485 transceivers are also RS-422-compliant. RS-422 is a multi-drop standard allowing only one driver and up to 10 receivers on each bus (assuming unit load receivers). RS-485 is a true multipoint standard which allows up to 32 unit load devices (any combination of drivers and receivers) on each bus. To allow for multipoint operation, RS-485 requires drivers to handle bus contention without damage. Another important advantage of RS-485 is the extended common-mode range (CMR), which requires driver outputs and receiver inputs withstand +12 V to -7 V. RS-422 and RS-485 are intended for runs as long as 4,000 feet (1,200 m), so the wide CMR is necessary for ground potential differences, as well as voltages induced in the cable by external fields.

#### Receiver Features

IL3000 transceivers have differential input receivers for maximum noise immunity and common-mode rejection. Input sensitivity is  $\pm$ 200 mV as required by the RS-422 and RS-485 specifications. The receivers include a “fail-safe if open” function that guarantees a high level receiver output if the receiver inputs are unconnected (floating). Receivers easily meet the data rates supported by the corresponding driver. IL3000-Series receiver outputs have tri-state capabilities with active low RE inputs.

#### Driver Features

The RS485/422 driver is a differential output device that delivers at least 1.5 V across a 54  $\Omega$  load (RS-485), and at least 2 V across a 100  $\Omega$  load (RS-422). The driver features low propagation delay skew to maximize bit width and minimize EMI. IL3222 and IL3285 drivers have tri-state capability with an active high DE input.

### Cabling, Data Rate and Terminations

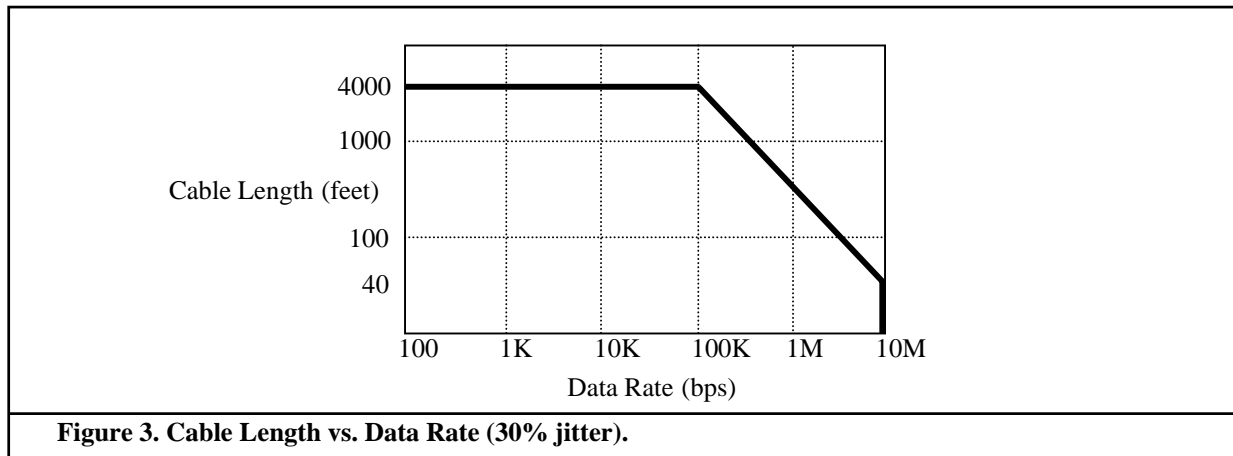
#### Cabling:

Use twisted-pair cable. The cable can be unshielded if it is short (<10 m) and the data rate is slow (<100 Kbps). Otherwise, use screened cable with the shield tied to earth ground at one end only. Do not tie the shield to digital ground. The other end of the shield may be tied to earth ground through an RC network. This prevents a DC ground loop in the shield. Shielded cable minimizes EMI emissions and external noise coupling to the bus.

#### Data Rate:

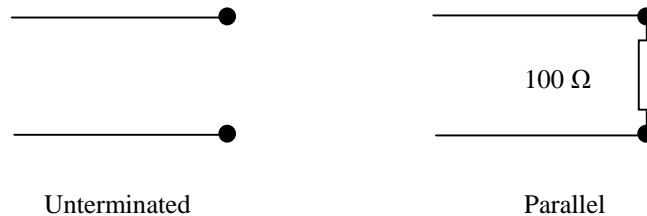
The longer the cable, the slower the data rate. The RS-485 bus can transmit ground over 4,000 feet (1,200 m) or at 10Mbps, but not both at the same time. Transducer and cable characteristics combine to act as a filter with the general response shown in Figure 3. Other parameters such as acceptable jitter affect the final cable length versus data rate tradeoff. Less jitter means better signal quality but shorter cable lengths or slower data rates. Figure 3 shows a generally accepted 30% jitter and a corresponding data rate versus cable length.





**Terminations:**

Transmission lines should be terminated to avoid reflections that cause data errors. In RS-485 systems both ends of the bus, not every node, should be terminated. In RS-422 systems only the receiver end should be terminated.



Proper termination is imperative when using IL3485 and IL3422 to minimize reflections. Unterminated lines are only suitable for very low data rates and very short cable runs, otherwise line reflections cause problems. Parallel terminations are the most popular. They allow high data rates and excellent signal quality.

Occasionally in noisy environments, fast pulses or noise appearing on the bus lines cause errors. One way of alleviating such errors without adding circuit delays is to place a series resistor in the bus line. Depending on the power supply, the resistor should be between 300  $\Omega$  (3 V supply) and 500  $\Omega$  (5 V supply).

<b>Typical Coil Connections</b>	
$V_{DD1} = V_{DD2} = 5\text{ V}$ $V_{DD1} = 3.3\text{ V}$	$R1, R2, R3 = 931\ \Omega$ $R1, R2 = 590\ \Omega; R3 = 931\ \Omega$
$V_{DD1} = V_{DD2} = 5\text{ V}$ $V_{DD1} = 3.3\text{ V}$	$R1, R2, R3 = 931\ \Omega$ $R1, R2 = 590\ \Omega; R3 = 931\ \Omega$

**Fail-Safe Operation:**

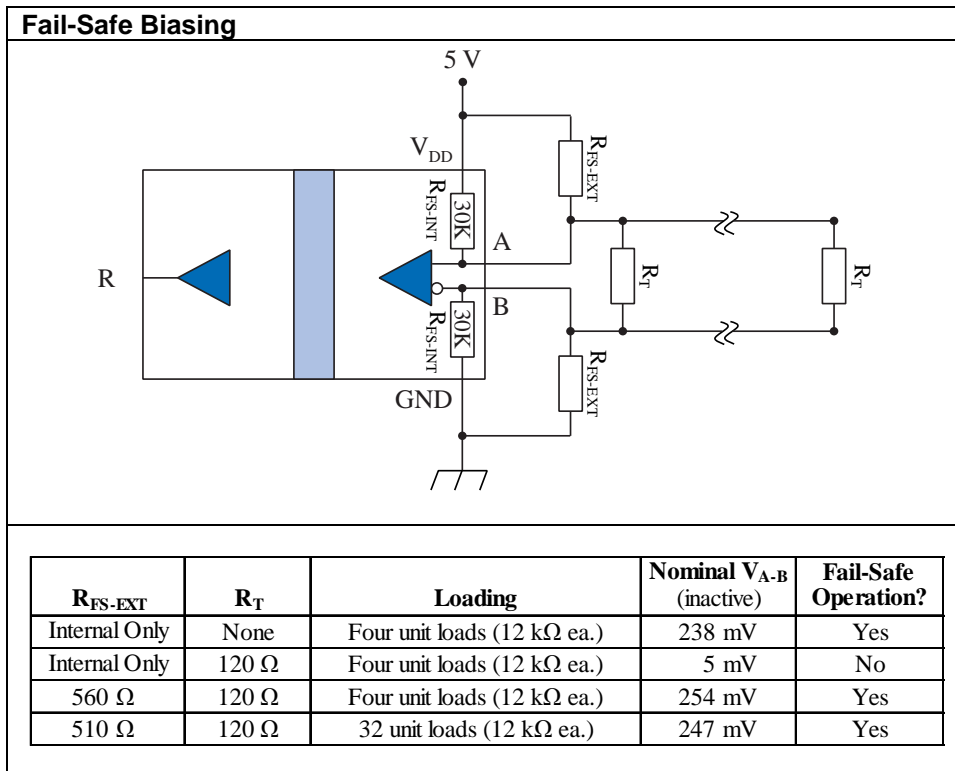
“Fail-safe operation” is defined here as the forcing of a logic high state on the “R” output in response to an open-circuit condition between the “A” and “B” lines of the bus, or when no drivers are active on the bus.

Proper biasing can ensure fail-safe operation, that is a known state when there are no active drivers on the bus. IL3000-Series Isolated Transceivers include internal pull-up and pull-down resistors of approximately 30 kΩ in the receiver section ( $R_{FS-INT}$ ; see figure below). These internal resistors are designed to ensure failsafe operation but only if there are no termination resistors. The entire  $V_{DD}$  will appear between inputs “A” and “B” if there is no loading and no termination resistors, and there will be more than the required 200 mV with up to four RS-485/RS-422 worst-case Unit Loads of 12 kΩ. Many designs operating below 1 Mbps or less than 1,000 feet are unterminated. Termination resistors may not be necessary for very low data rates and very short cable runs because reflections have time to settle before data sampling, which occurs at the middle of the bit interval.

In busses with low-impedance termination resistors, however, the differential voltage across the conductor pair will be close to zero with no active drivers. In this case the state of the bus is indeterminate, and the idle bus will be susceptible to noise. For example, with 120 Ω termination resistors ( $R_T$ ) on each end of the cable, and four Unit Loads (12 kΩ each), without external fail-safe biasing resistors the internal pull-up and pull-down resistors will produce a voltage between inputs “A” and “B” of only about 5 mV. This is not nearly enough to ensure a known state. External fail-safe biasing resistors ( $R_{FS-EXT}$ ) at one end of the bus can ensure fail-safe operation with a terminated bus. Resistors should be selected so that under worst-case power supply and resistor tolerances there is at least 200 mV across the conductor pair with no active drivers to meet the input sensitivity specification of the RS-422 and RS-485 standards.

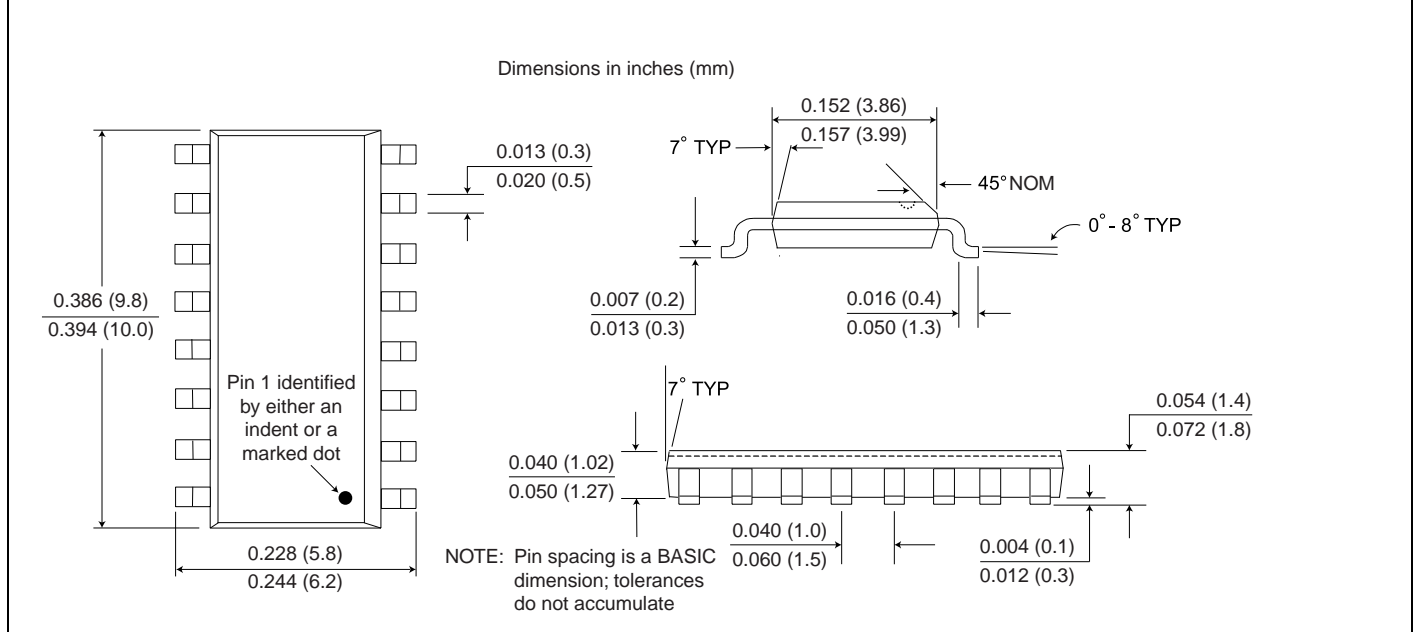
Using the same value for pull-up and pull-down biasing resistors maintains balance for positive- and negative going transitions. Lower-value resistors increase inactive noise immunity at the expense of quiescent power consumption. Note that each Unit Load on the bus adds a worst-case loading of 12 kΩ across the conductor pair, and 32 Unit Loads add 375 Ω worst-case loading. The more loads on the bus, the lower the required values of the biasing resistors.

In the example with two 120 Ω termination resistors and four Unit Loads, 560 Ω external biasing resistors provide more than 200 mV between “A” and “B” with adequate margin for power supply variations and resistor tolerances. This ensures a known state when there are no active drivers. Other illustrative examples are shown in the table below.

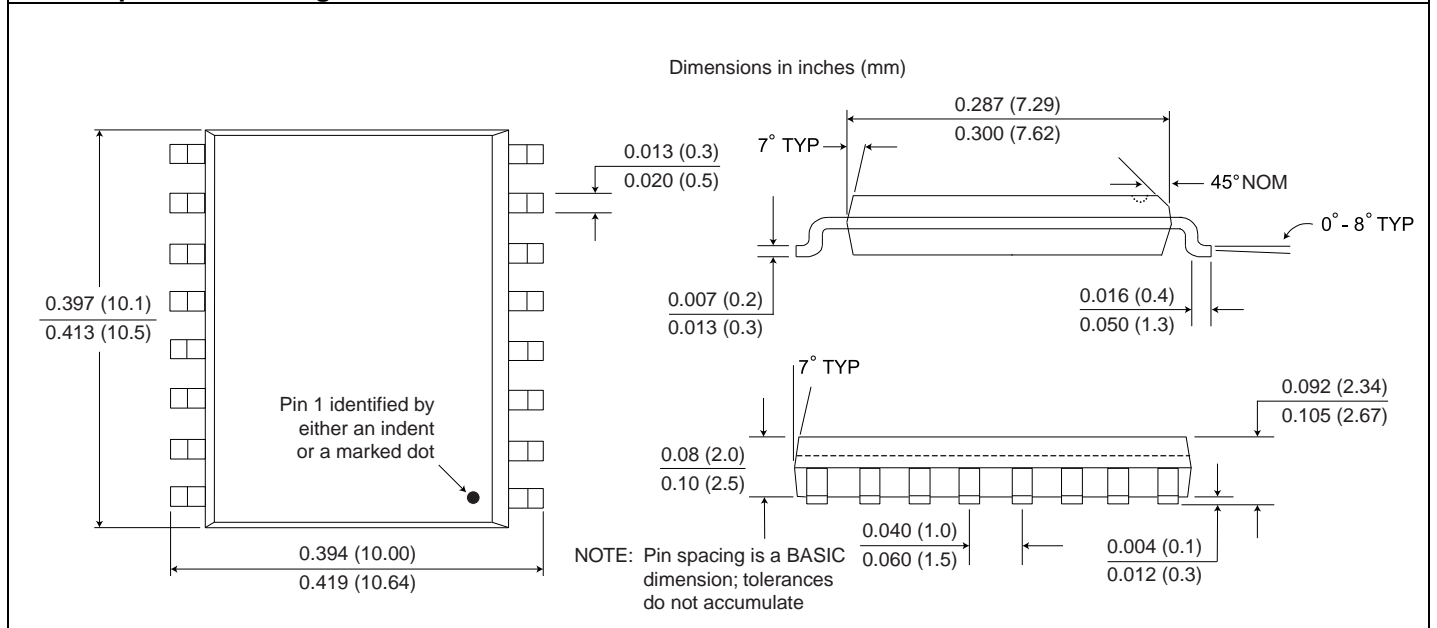


**Package Drawings, Dimensions and Specifications**

**0.15" 16-pin SOIC Package**

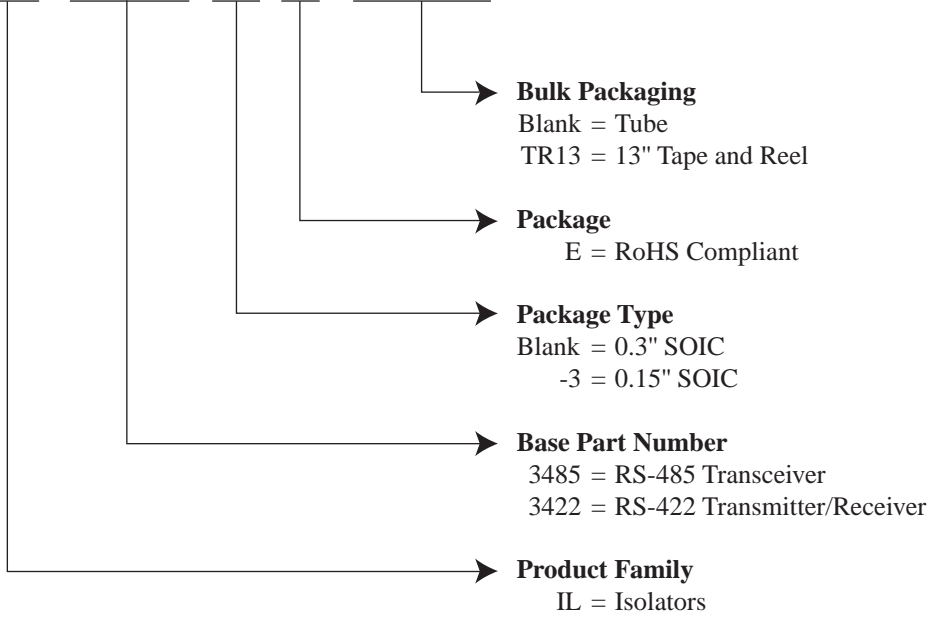


**0.3" 16-pin SOIC Package**



**Ordering Information and Valid Part Numbers**

**IL 3485 -3 E TR13**



**Valid Part Numbers**

- IL3485E
- IL3485E TR13
- IL3485-3E
- IL3485-3E TR13
  
- IL3422E
- IL3422E TR13
- IL3422-3E
- IL3422-3E TR13



**Revision History**

---

**ISB-DS-001-IL3485/22-G**  
**February 2008**

**Changes**

- Added typical coil resistance and temperature coefficient specifications.
- Added note on package drawings that pin-spacing tolerances are non-accumulating.

**ISB-DS-001-IL3485/22-F**

**Changes**

- Changed ordering information to reflect that devices are now fully RoHS compliant with no exemptions.

**ISB-DS-001-IL3485/22-E**

**Changes**

- Eliminated soldering profile chart

**ISB-DS-001-IL3485/22-D**

**Changes**

- Separate pinout diagrams for narrow- and wide-body packages

**ISB-DS-001-IL3485/22-C**

**Changes**

- Added “Open” input condition to truth tables
- Fail-safe biasing section added
- Narrow-body-SOIC packages added

**ISB-DS-001-IL3485/22-B**

**Changes**

1. Capacitor Information added on page 1
2. Input Signal Rise/Fall times changed from 10  $\mu$ s to 1  $\mu$ s
3. Typical coil formations show  $C_{Boost}$
4. Switching characteristics show  $C_{Boost} = 16$  pF

**ISB-DS-001-IL3485/22-A**

**Initial Release**

## **About NVE**

An ISO 9001 Certified Company

NVE Corporation manufactures innovative products based on unique spintronic Giant Magnetoresistive (GMR) technology. Products include Magnetic Field Sensors, Magnetic Field Gradient Sensors (Gradiometers), Digital Magnetic Field Sensors, Digital Signal Isolators, and Isolated Bus Transceivers.

NVE pioneered spintronics and in 1994 introduced the world's first products using GMR material, a line of ultra-precise magnetic sensors for position, magnetic media, gear speed and current sensing.

NVE Corporation  
11409 Valley View Road  
Eden Prairie, MN 55344-3617 USA  
Telephone: (952) 829-9217  
Fax: (952) 829-9189  
Internet: [www.nve.com](http://www.nve.com)  
e-mail: [isoinfo@nve.com](mailto:isoinfo@nve.com)

*The information provided by NVE Corporation is believed to be accurate. However, no responsibility is assumed by NVE Corporation for its use, nor for any infringement of patents, nor rights or licenses granted to third parties, which may result from its use. No license is granted by implication, or otherwise, under any patent or patent rights of NVE Corporation. NVE Corporation does not authorize, nor warrant, any NVE Corporation product for use in life support devices or systems or other critical applications, without the express written approval of the President of NVE Corporation.*

***Specifications are subject to change without notice.***

ISB-DS-001-IL3485/22-G  
February 2008