

GE1A Series Electronic Timers

Four different time ranges to cover a wide time range

- Large clear knob for easy time range setting
- ON Delay function
- Highly precise time control
- Instant monitoring of operation status by LED indicators.

Contact Ratings

Contact Ratings	240V AC/5A, 24V DC/5A (resistive load)
Electrical Life	100,000 operations minimum
Mechanical Life	5,000,000 operations minimum



•1S to 10M Type



•3S to 30M Type



•1M to 10H Type



•3M to 30H Type



Time Ranges

Code	Magnification	Time Range
10M	× 1S	0.1 sec to 1 sec
	× 10S	1 sec to 10 sec
	× 1M	0.1 min to 1 min
30M	× 10M	1 min to 10 min
	× 1S	0.3 sec to 3 sec
	× 10S	3 sec to 30 sec
10H	× 1M	0.3 min to 3 min
	× 10M	3 min to 30 min
	× 1H	0.1 min to 1 min
30H	× 10H	1 min to 10 min
	× 1M	0.3 min to 3 min
	× 10M	3 min to 30 min
	× 1H	0.3 hour to 3 hours
	× 10H	3 hours to 30 hours

Types

Time Range	Rated Voltage	Type No.	
		Contact	
		Delayed SPDT + Instantaneous SPDT	Delayed DPDT
1S to 10M (1 sec to 10 min)	220 to 240V AC	GE1A-B10MA220	GE1A-C10MA220
	200 to 220V AC	GE1A-B10MA200	GE1A-C10MA200
	120 to 110V AC	GE1A-B10MA110	GE1A-C10MA110
	100 to 110V AC	GE1A-B10MA100	GE1A-C10MA100
	24V AC/DC	GE1A-B10MAD24	GE1A-C10MAD24
3S to 30M (3 sec to 30 min)	220 to 240V AC	GE1A-B30MA220	GE1A-C30MA220
	200 to 220V AC	GE1A-B30MA200	GE1A-C30MA200
	120 to 110V AC	GE1A-B30MA110	GE1A-C30MA110
	100 to 110V AC	GE1A-B30MA100	GE1A-C30MA100
	24V AC/DC	GE1A-B30MAD24	GE1A-C30MAD24
1M to 10H (1 min to 10 hours)	220 to 240V AC	GE1A-B10HA220	GE1A-C10HA220
	200 to 220V AC	GE1A-B10HA200	GE1A-C10HA200
	120 to 110V AC	GE1A-B10HA110	GE1A-C10HA110
	100 to 110V AC	GE1A-B10HA100	GE1A-C10HA100
	24V AC/DC	GE1A-B10HAD24	GE1A-C10HAD24
3M to 30H (3 min to 30 hours)	220 to 240V AC	GE1A-B30HA220	GE1A-C30HA220
	200 to 220V AC	GE1A-B30HA200	GE1A-C30HA200
	120 to 110V AC	GE1A-B30HA110	GE1A-C30HA110
	100 to 110V AC	GE1A-B30HA100	GE1A-C30HA100
	24V AC/DC	GE1A-B30HAD24	GE1A-C30HAD24

Flush Silhouette

Control Units

Display Lights

Display Units

Safety Products

Terminal Blocks

Comm. Terminals

AS-Interface

Relays & Timers

Sockets

Circuit Protectors

Power Supplies

PLCs & SmartRelay

Operator Interfaces

Sensors

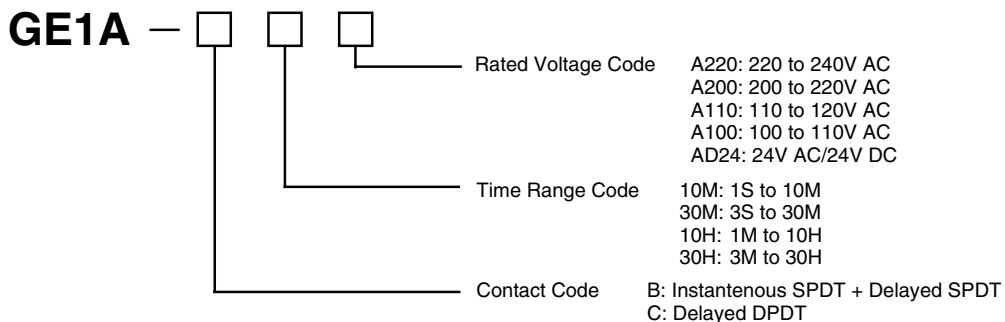
Control Stations

Explosion Protection

References

GE1A Series Electronic Timers

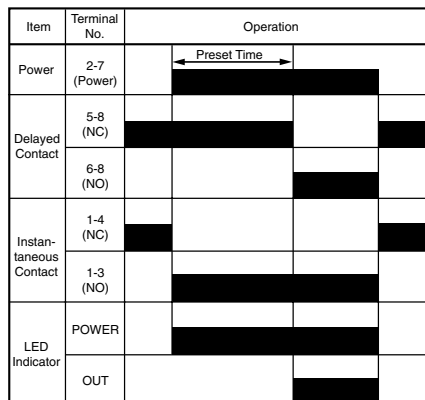
Type No. Development



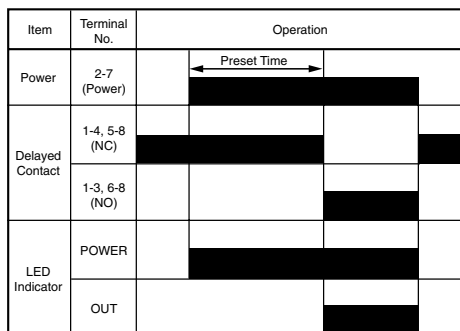
Specifications

Type		GE1A-B	GE1A-C
Operation Mode		ON Delay	
Time Range		0.1 second to 30 hours	
Rated Operational Voltage		220V to 240V AC, 200 to 220V AC, 110V to 120V AC, 100 to 110V AC, 24V AC/DC	
Voltage Tolerance		AC: 85 to 110%, DC: 90 to 110%	
Operating Temperature		-10 to +55°C (without freezing)	
Storage Temperature		-30 to +70°C (without freezing)	
Operating Humidity		35 to 85% RH (without condensation)	
Repeat Error		±0.2% ±10 ms maximum	
Voltage Error		±0.5% ±10 ms maximum	
Temperature Error		±3% maximum	
Setting Error		±10% maximum	
Insulation Resistance		100 MΩ minimum (500V DC megger)	
Dielectric Strength	Between power and output terminals	2,000V AC, 1 minute	
	Between contact circuits	750V AC, 1 minute	
Vibration Resistance		Damage limits: Amplitude 0.75 mm, 10 to 55 Hz Operating extremes: Amplitude 0.5 mm, 10 to 55 Hz	
Shock Resistance	Damage limits	490 m/s ² (approx. 50G)	
Power Consumption	220V AC	7.7 VA (60 Hz), 6.6 VA (50 Hz)	8.0 VA (60 Hz), 7.0 VA (50 Hz)
	200V AC	7.0 VA (60 Hz), 6.0 VA (50 Hz)	8.0 VA (60 Hz), 7.0 VA (50 Hz)
	110V AC	3.8 VA (60 Hz), 3.3 VA (50 Hz)	3.5 VA (60 Hz), 3.0 VA (50 Hz)
	100V AC	3.5 VA (60 Hz), 3.0 VA (50 Hz)	3.5 VA (60 Hz), 3.0 VA (50 Hz)
	24V AC	1.6 VA	2.0 VA
	24V DC	1.0W	0.8W
Weight (Approx.)		101g	95g

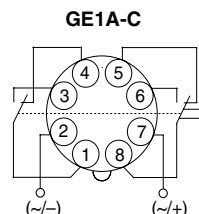
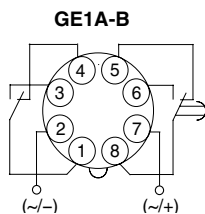
•GE1A-B



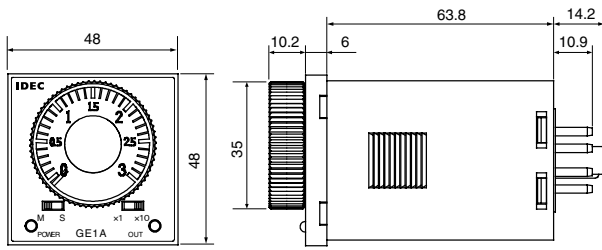
•GE1A-C



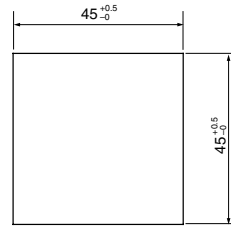
Internal Connections



Dimensions

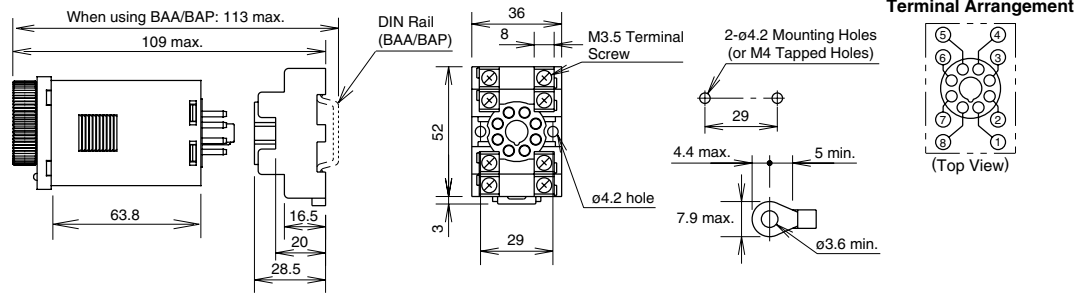


Panel Cut-out

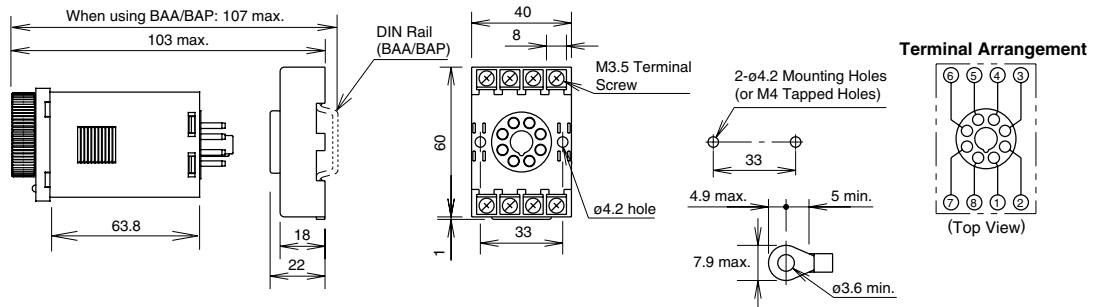


Applicable Sockets

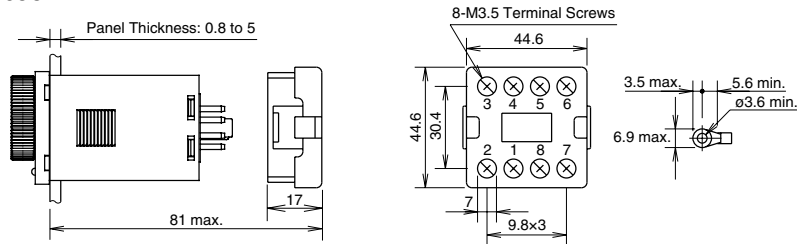
•SR2P-05A



•SR2P-06A



•SR6P-M08G



All dimensions in mm.

Accessories

Name	Appearance	Type No.
Panel Mount Adapter		GE9Z-AD
Dust Cover		GE9Z-C48

Flush Silhouette
Control Units
Display Lights
Display Units
Safety Products
Terminal Blocks
Comm. Terminals
AS-Interface
Relays & Timers
Sockets
Circuit Protectors
Power Supplies
PLCs & SmartRelay
Operator Interfaces
Sensors
Control Stations
Explosion Protection
References