

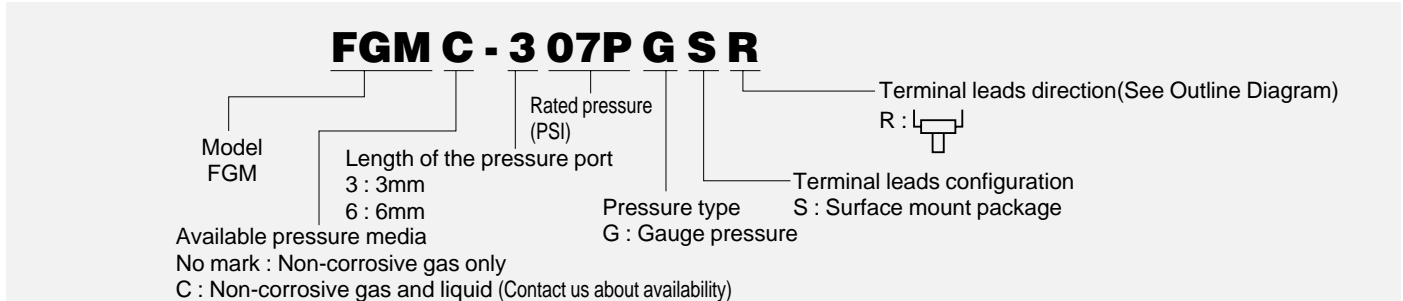
Features

- Very small surface mountable package, Easy to mount on PCB
- Vacuum pressure measurable
- Non-corrosive liquid measurable (FGMC-3, FGMC-6 available)

Applications

- Industrial instrumentation
- Pressure switch, Pneumatic device
- Medical device
- Turbo boost pressure measurement for Automotive system

Part number for ordering



Pressure type	Gauge pressure	
	FGM-3	FGM-6
Model		
Package configuration	Surface mount package, 3mm pressure port	Surface mount package, 6mm pressure port

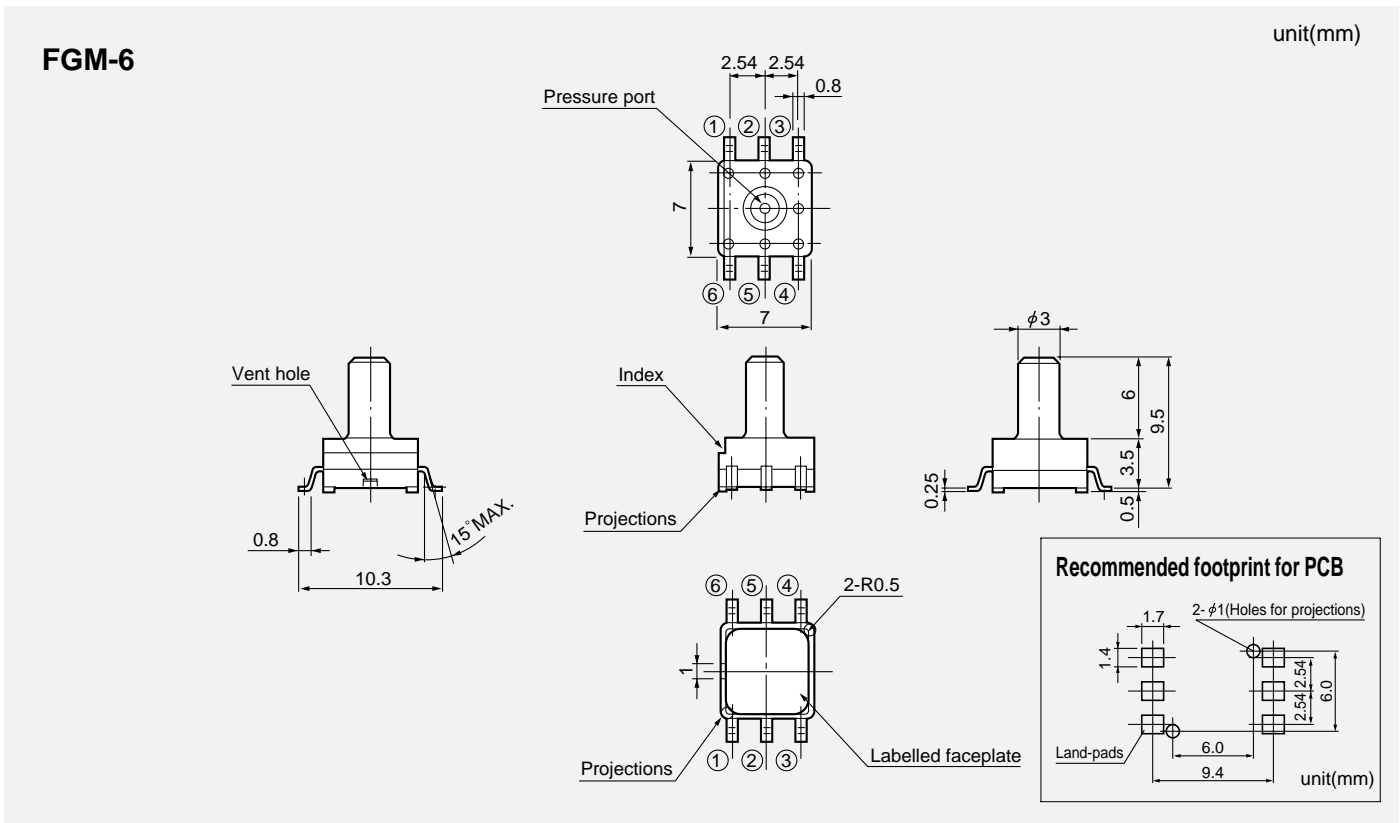
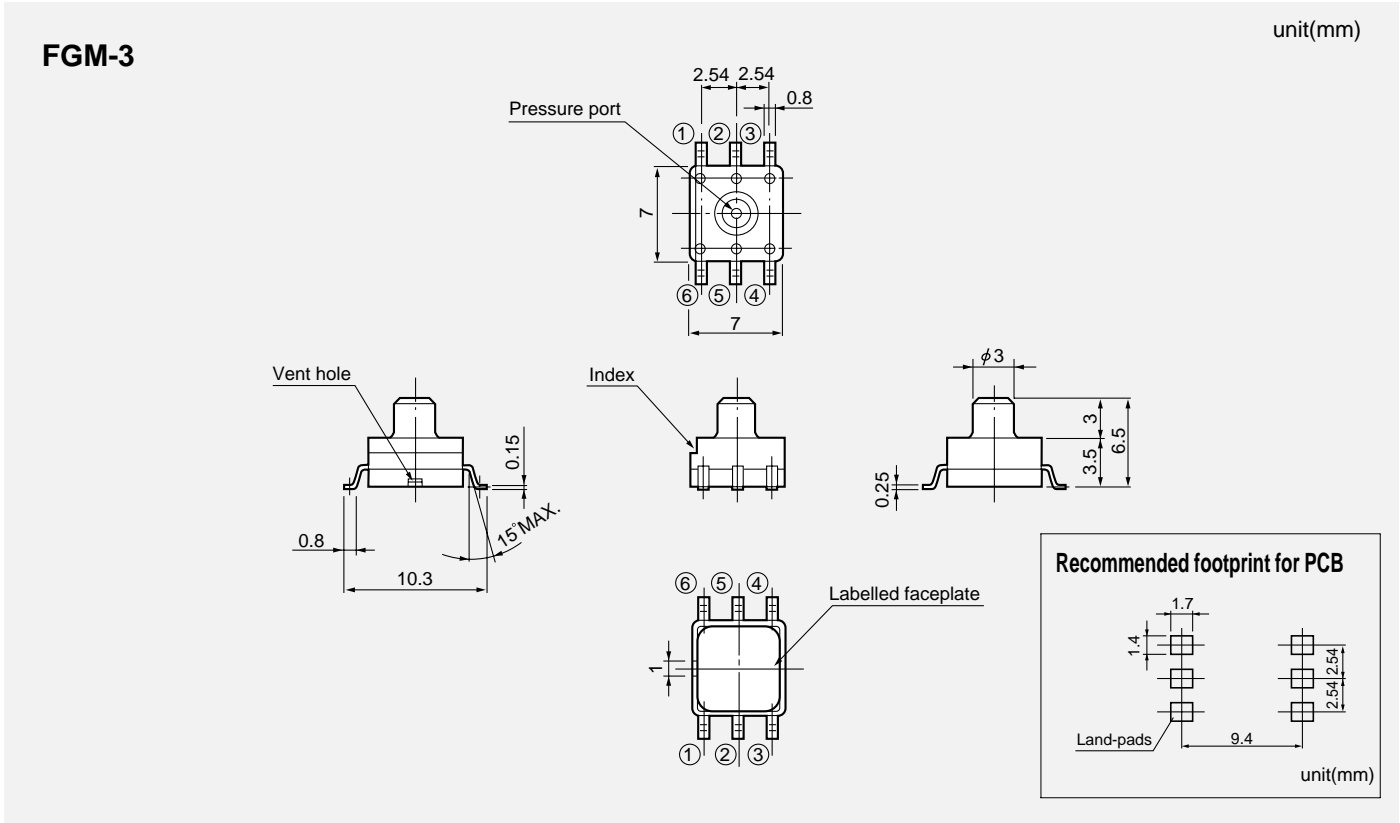
Measurable pressure range (kPa)	Part number for ordering	
-13.79~13.79	FGM-302PGSR	FGM-602PGSR
-34.47~34.47	FGM-305PGSR	FGM-605PGSR
-48.26~48.26	FGM-307PGSR	FGM-607PGSR
-98.07~103.4	FGM-315PGSR	FGM-615PGSR
-98.07~206.8	FGM-330PGSR	FGM-630PGSR
-98.07~344.7	FGM-350PGSR	FGM-650PGSR
-98.07~482.6	FGM-370PGSR	FGM-670PGSR
-98.07~827.4	FGM-3120PGSR	FGM-6120PGSR

Specifications

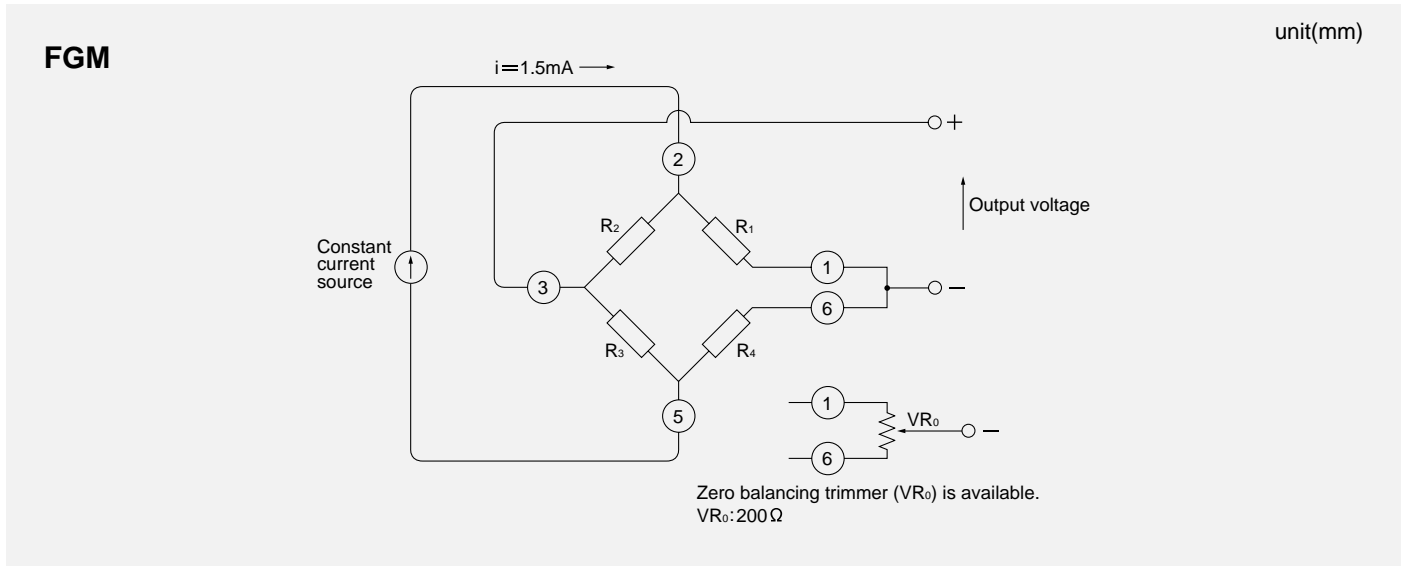
Model/Rated pressure	02PG	05PG	07PG	15PG	30PG	50PG	70PG	120PG	Unit
Recommended operating conditions									
Pressure type	Gauge pressure								—
Rated pressure	13.79	34.47	48.26	103.4	206.8	344.7	482.6	827.4	kPa
	0.141	0.352	0.492	1.055	2.109	3.516	4.922	8.437	kg/cm ²
Measurable pressure range	-13.79 ~13.79	-34.47 ~34.47	-48.26 ~48.26	-98.07 ~103.4	-98.07 ~206.8	-98.07 ~344.7	-98.07 ~482.6	-98.07 ~827.4	kPa
Pressure media ※	FGM : Non-corrosive gas only, FGMC : Non-corrosive gas and liquid								—
Excitation current (Constant)	1.5								mADC
Absolute maximum rating									
Maximum load pressure	Twice of rated pressure							1.5times of rated pressure	—
Maximum excitation current	3								mADC
Operating temperature	-20~100								°C
Storage temperature	-40~120								°C
Operating humidity	30~80 (No dew condensation)								%RH
Electric performances/characteristics (Excitation current I=1.5mA constant, Ambient temperature Ta=25°C)									
Full scale span voltage	60~140								mV
Offset voltage	±20								mV
Bridge impedance	4000~6000								Ω
Mechanical response time	2 (For the reference)								msec
Accuracy	Temperature sensitivity of offset (TSO)	±5							%FS/0~50°C
	Temperature coefficient of sensitivity (TCS)	2.5							%FS/0~50°C
	Linearity	±0.5			±0.3		±0.5	±0.6	%FS
	Pressure hysteresis	±0.4			±0.2			±0.4	%FS

※) Please consult us available liquid pressure media when you chose the C models.

■ Outline dimensions ■



■ Connection diagram ■



Note ; Please read instruction "Notes" before using the sensor.
 Fujikura reserves the right to change specifications without notice.

Fujikura Ltd.

If you have any questions regarding technical issues or specifications, please contact us.
 Sensor Engineering Department 5-1 Kiba 1-chome, Koto-ku, Tokyo 135-8512, Japan
 Phone +81-(0)3-5606-1072 Fax. +81-(0)3-5606-1538
 E-mail : sensor@fujikura.co.jp