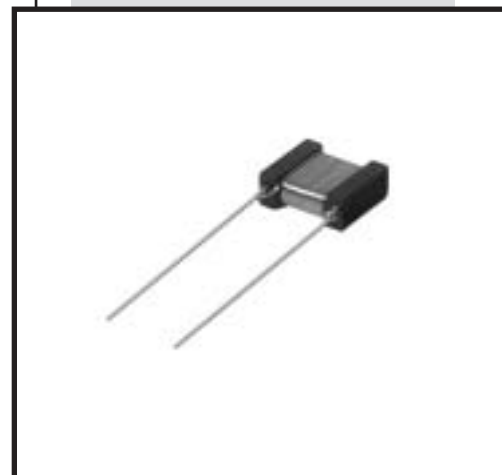
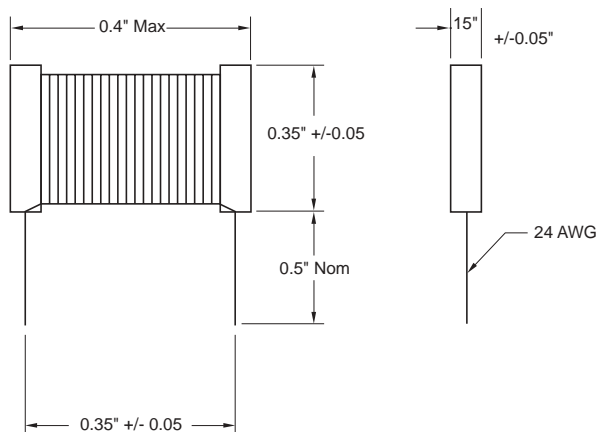


FC Series Radial Leaded Flat Coils



Wilco Part Number	Inductance (uh)	Tolerance (%)	Q Min.	Test Freq. (MHz)	DCR Max. (Ohms)	Rated Current (A)
FC1R0K	1	10	85	7.9	0.015	7
FC3R3K	3.3	10	35	7.9	0.036	3.7
FC5R6K	5.6	10	38	7.9	0.092	2.8
FC101K	10	10	80	7.9	0.119	2.1
FC180K	18	10	40	2.5	0.180	1.6
FC330K	33	10	45	2.5	0.346	1.2
FC470K	47	10	45	2.5	0.502	1.03
FC680K	68	10	40	2.5	0.808	0.90
FC101K	100	10	80	0.79	1.60	0.70
FC151K	150	10	70	0.79	1.855	0.60
FC221K	220	10	50	0.79	2.105	0.49
FC331K	330	10	50	0.79	3.335	0.41
FC471K	470	10	40	0.79	5.30	0.35
FC681K	680	10	45	0.79	5.93	0.29
FC102K	1000	10	70	0.25	8.60	0.21
FC152K	1500	10	62	0.25	14.26	0.19
FC222K	2200	10	60	0.25	17.70	0.15
FC332K	3300	10	50	0.25	21.74	0.13
FC472K	4700	10	50	0.25	28.90	0.11
FC682K	6800	10	23	0.25	45.00	0.07
FC103K	10000	10	25	0.25	70.00	0.07

FEATURES

- Unique solution for densely packed circuit board assemblies.
- Radial leads make for easy printed circuit board insertion.
- Wide range of inductances with high Q values suitable for radio and audio frequencies.
- Radial leads for easy PCB insertion
- Intermediate values available
- Flat design for PCB where space is a premium

APPLICATIONS

- Power supplies
- Switching regulators
- Filters
- Antennas

- Wide range of inductance values
- Color coded using standard EIA marking
- Operating temperature range -55 to 105 degrees C

Wilco Corporation

6451 Saguro Ct.
Indianapolis, IN 46268
Hotline 800•611•2343
Fax 317•293•9462
www.wilcocorp.com