

E-Series RF 2:1 Transformer

10 - 1000 MHz

ETC2-1-4

V3.00

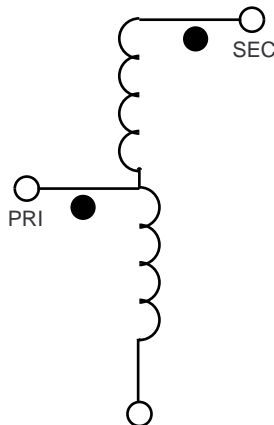
Features

- 2:1 Impedance Ratio

Specifications @ 25°C

Frequency Range	10 - 1000 MHz
Insertion Loss	Maximum
10 - 1000 MHz	3 dB
15 - 800 MHz	2 dB
20 - 550 MHz	1 dB
40 - 300 MHz	0.5 dB

Schematic



Ordering Information

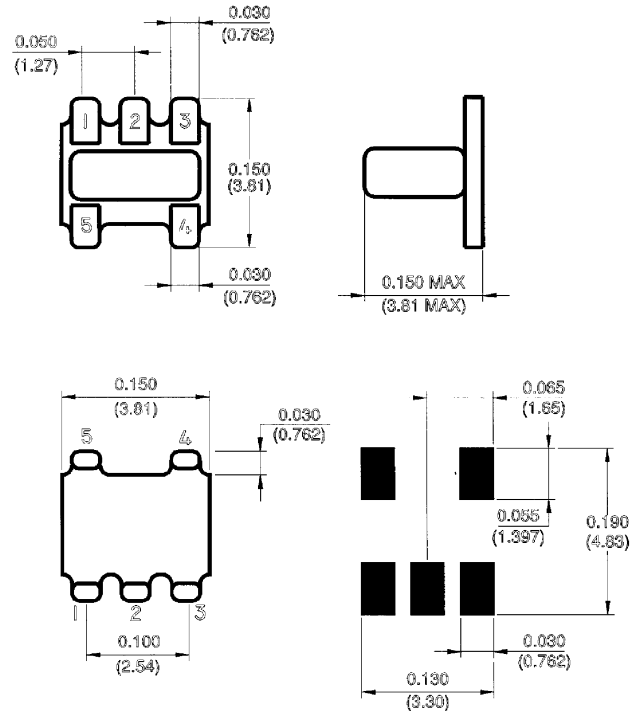
Part No.
ETC2-1-4
ETC2-1-4TR

Packaging
Tubes
Tape & Reel

Absolute Maximum Ratings

Parameter	Absolute Maximum
RF Power	250 mW
DC Current	30 mA
Operating/Storage Temp.	-20°C to +85°C

SM-22



Pin Configuration

Function	Pin No.
Primary dot	2
Primary	3
Secondary dot	1
Secondary	3
Not Connected	4,5

S1114 A

Specifications Subject to Change Without Notice.

M/A-COM, Inc.

North America: Tel. (800) 366-2266 ■ Asia/Pacific: Tel. +81 (03) 3226-1671 ■ Europe: Tel. +44 (1344) 869 595
Fax (800) 618-8883 Fax +81 (03) 3226-1451 Fax +44 (1344) 300 020

1