

FEATURES

Compact TSOT-23-5 packages

Low temperature coefficient

B grade: 9 ppm/°C

A grade: 25 ppm/°C

Initial accuracy

B grade: ±4 mV maximum

A grade: ±6 mV maximum

Ultralow output noise: 5 µV p-p (0.1 Hz to 10 Hz)

Low dropout: 300 mV

Low supply current

3 µA maximum in shutdown

120 µA maximum in operation

No external capacitor required

Output current: 5 mA

Wide temperature range

−40°C to +125°C

APPLICATIONS

Battery-powered instrumentation

Portable medical instrumentation

Data acquisition systems

Industrial process controls

Automotive

GENERAL DESCRIPTION

The ADR390, ADR391, ADR392, and ADR395 are precision 2.048 V, 2.5 V, 4.096 V, and 5 V band gap voltage references, respectively, featuring low power and high precision in a tiny footprint. Using ADI's patented temperature drift curvature correction techniques, the ADR39x references achieve a low 9 ppm/°C of temperature drift in the TSOT package.

FUNCTIONAL BLOCK DIAGRAM

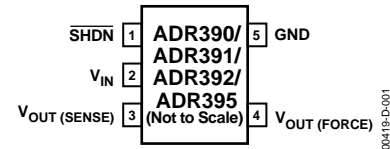


Figure 1. 5-Lead TSOT (UJ Suffix)

Table 1.

Model	V _{OUT} (V)	Temperature Coefficient (ppm/°C)	Accuracy (mV)
ADR390B	2.048	9	±4
ADR390A	2.048	25	±6
ADR391B	2.5	9	±4
ADR391A	2.5	25	±6
ADR392B	4.096	9	±5
ADR392A	4.096	25	±6
ADR395B	5.0	9	±5
ADR395A	5.0	25	±6

The ADR39x family of micropower, low dropout voltage references provides a stable output voltage from a minimum supply of 300 mV above the output. Their advanced design eliminates the need for external capacitors, which further reduces board space and system cost. The combination of low power operation, small size, and ease of use makes the ADR39x precision voltage references ideally suited for battery-operated applications.

Rev. F

Information furnished by Analog Devices is believed to be accurate and reliable. However, no responsibility is assumed by Analog Devices for its use, nor for any infringements of patents or other rights of third parties that may result from its use. Specifications subject to change without notice. No license is granted by implication or otherwise under any patent or patent rights of Analog Devices. Trademarks and registered trademarks are the property of their respective owners.

TABLE OF CONTENTS

ADR390 Specifications	3	Terminology	8
ADR391 Specifications	4	Typical Performance Characteristics	9
ADR392 Specifications	5	Theory of Operation	16
ADR395 Specifications	6	Applications.....	17
Absolute Maximum Ratings.....	7	Basic Voltage Reference Connection	17
Thermal Resistance	7	Outline Dimensions	19
ESD Caution.....	7	Ordering Guide	19

REVISION HISTORY

5/05—Rev. E to Rev. F

Changes to Table 5.....	7
Changes to Figure 2.....	9

4/04—Rev. D to Rev. E

Changes to ADR390—Specifications.....	3
Changes to ADR391—Specifications.....	4
Changes to ADR392—Specifications.....	5
Changes to ADR395—Specifications.....	6

4/04—Rev. C to Rev. D

Updated Format	Universal
Changes to Title	1
Changes to Features.....	1
Changes to Applications	1
Changes to General Description	1
Changes to Table 1.....	1
Changes to ADR390—Specifications.....	3
Changes to ADR391—Specifications.....	4
Changes to ADR392—Specifications.....	5
Changes to ADR395—Specifications.....	6
Changes to Absolute Maximum Ratings	7
Changes to Thermal Resistance.....	7
Moved ESD Caution.....	7
Changes to Figure 3, Figure 4, Figure 7, and Figure 8	9
Changes to Figure 11, Figure 12, Figure 13, and Figure 14.....	10

Changes to Figure 15, Figure 16, Figure 19, and Figure 20.....	11
Changes to Figure 23 and Figure 24.....	12
Changes to Figure 27.....	13
Changes to Ordering Guide	19
Updated Outline Dimensions.....	19

10/02—Rev. B to Rev. C

Add parts ADR392 and ADR395	Universal
Changes to Features	1
Changes to General Description	1
Additions to Table I.....	1
Changes to Specifications.....	2
Changes to Ordering Guide	4
Changes to Absolute Maximum Ratings.....	4
New TPCs 3, 4, 7, 8, 11, 12, 15, 16, 19, and 20	6
New Figures 4 and 5.....	13
Deleted A Negative Precision Reference without Precision Resistors Section	13
Edits to General-Purpose Current Source Section	13
Updated Outline Dimensions.....	15

5/02—Rev. A to Rev. B

Edits to Layout	Universal
Changes to Figure 6.....	13

Revision 0: Initial Version

ADR390 SPECIFICATIONS

Electrical characteristics, $V_{IN} = 2.5\text{ V to }15\text{ V}$, $T_A = 25^\circ\text{C}$, unless otherwise noted.

Table 2.

Parameter	Symbol	Conditions	Min	Typ	Max	Unit
OUTPUT VOLTAGE	V_O	A grade	2.042	2.048	2.054	V
	V_O	B grade	2.044	2.048	2.052	V
INITIAL ACCURACY	V_{OERR}	A grade			6	mV
	V_{OERR}	A grade			0.29	%
	V_{OERR}	B grade			4	mV
	V_{OERR}	B grade			0.19	%
TEMPERATURE COEFFICIENT	TCV_O	A grade: $-40^\circ\text{C} < T_A < +125^\circ\text{C}$			25	ppm/ $^\circ\text{C}$
		B grade: $-40^\circ\text{C} < T_A < +125^\circ\text{C}$			9	ppm/ $^\circ\text{C}$
SUPPLY VOLTAGE HEADROOM	$V_{IN} - V_O$		300			mV
LINE REGULATION	$\Delta V_O / \Delta V_{IN}$	$V_{IN} = 2.5\text{ V to }15\text{ V}$, $-40^\circ\text{C} < T_A < +125^\circ\text{C}$		10	25	ppm/V
LOAD REGULATION	$\Delta V_O / \Delta I_{LOAD}$	$I_{LOAD} = 0\text{ mA to }5\text{ mA}$, $-40^\circ\text{C} < T_A < +85^\circ\text{C}$, $V_{IN} = 3\text{ V}$			60	ppm/mA
		$I_{LOAD} = 0\text{ mA to }5\text{ mA}$, $-40^\circ\text{C} < T_A < +125^\circ\text{C}$, $V_{IN} = 3\text{ V}$			140	ppm/mA
QUIESCENT CURRENT	I_{IN}	No load			120	μA
		$-40^\circ\text{C} < T_A < +125^\circ\text{C}$			140	μA
VOLTAGE NOISE	$e_{n\text{ p-p}}$	0.1 Hz to 10 Hz		5		$\mu\text{V p-p}$
TURN-ON SETTLING TIME	t_R			20		μs
LONG-TERM STABILITY ¹	ΔV_O	1000 hours		50		ppm
OUTPUT VOLTAGE HYSTERESIS	ΔV_{O_HYS}			100		ppm
RIPPLE REJECTION RATIO	RRR	$f_{IN} = 60\text{ kHz}$		80		dB
SHORT CIRCUIT TO GND	I_{SC}	$V_{IN} = 5\text{ V}$		25		mA
		$V_{IN} = 15\text{ V}$		30		mA
SHUTDOWN PIN						
Shutdown Supply Current	I_{SHDN}				3	μA
Shutdown Logic Input Current	I_{LOGIC}				500	nA
Shutdown Logic Low	V_{INL}				0.8	V
Shutdown Logic High	V_{INH}		2.4			V

¹ The long-term stability specification is noncumulative. The drift of subsequent 1000 hour periods is significantly lower than in the first 1000 hour period.

ADR390/ADR391/ADR392/ADR395

ADR391 SPECIFICATIONS

Electrical characteristics, $V_{IN} = 2.8 \text{ V}$ to 15 V , $T_A = 25^\circ\text{C}$, unless otherwise noted.

Table 3.

Parameter	Symbol	Conditions	Min	Typ	Max	Unit
OUTPUT VOLTAGE	V_O	A grade	2.494	2.5	2.506	V
	V_O	B grade	2.496	2.5	2.504	V
INITIAL ACCURACY	V_{OERR}	A grade			6	mV
	V_{OERR}	A grade			0.24	%
	V_{OERR}	B grade			4	mV
	V_{OERR}	B grade			0.16	%
TEMPERATURE COEFFICIENT	TCV_O	A grade, $-40^\circ\text{C} < T_A < +125^\circ\text{C}$			25	ppm/ $^\circ\text{C}$
		B grade, $-40^\circ\text{C} < T_A < +125^\circ\text{C}$			9	ppm/ $^\circ\text{C}$
SUPPLY VOLTAGE HEADROOM	$V_{IN} - V_O$		300			mV
LINE REGULATION	$\Delta V_O / \Delta V_{IN}$	$V_{IN} = 2.8 \text{ V}$ to 15 V , $-40^\circ\text{C} < T_A < +125^\circ\text{C}$		10	25	ppm/V
LOAD REGULATION	$\Delta V_O / \Delta I_{LOAD}$	$I_{LOAD} = 0 \text{ mA}$ to 5 mA , $-40^\circ\text{C} < T_A < +85^\circ\text{C}$, $V_{IN} = 3 \text{ V}$			60	ppm/mA
		$I_{LOAD} = 0 \text{ mA}$ to 5 mA , $-40^\circ\text{C} < T_A < +125^\circ\text{C}$, $V_{IN} = 3 \text{ V}$			140	ppm/mA
QUIESCENT CURRENT	I_{IN}	No load			120	μA
		$-40^\circ\text{C} < T_A < +125^\circ\text{C}$			140	μA
VOLTAGE NOISE	$e_{n\text{p-p}}$	0.1 Hz to 10 Hz		5		$\mu\text{V p-p}$
TURN-ON SETTLING TIME	t_R			20		μs
LONG-TERM STABILITY ¹	ΔV_O	1000 hours		50		ppm
OUTPUT VOLTAGE HYSTERESIS	ΔV_{O_HYS}			100		ppm
RIPPLE REJECTION RATIO	RRR	$f_{IN} = 60 \text{ kHz}$		80		dB
SHORT CIRCUIT TO GND	I_{SC}	$V_{IN} = 5 \text{ V}$		25		mA
		$V_{IN} = 15 \text{ V}$		30		mA
SHUTDOWN PIN	I_{SHDN}		2.4		3	μA
					500	nA
					0.8	V
						V

¹ The long-term stability specification is noncumulative. The drift of subsequent 1000 hour periods is significantly lower than in the first 1000 hour period.

ADR392 SPECIFICATIONS

Electrical characteristics, $V_{IN} = 4.3\text{ V to }15\text{ V}$, $T_A = 25^\circ\text{C}$, unless otherwise noted.

Table 4.

Parameter	Symbol	Conditions	Min	Typ	Max	Unit					
OUTPUT VOLTAGE	V_O	A grade	4.090	4.096	4.102	V					
	V_O	B grade	4.091	4.096	4.101	V					
INITIAL ACCURACY	V_{OERR}	A grade			6	mV					
	V_{OERR}	A grade			0.15	%					
	V_{OERR}	B grade			5	mV					
	V_{OERR}	B grade			0.12	%					
TEMPERATURE COEFFICIENT	TCV_O	A grade, $-40^\circ\text{C} < T_A < +125^\circ\text{C}$			25	ppm/ $^\circ\text{C}$					
		B grade, $-40^\circ\text{C} < T_A < +125^\circ\text{C}$			9	ppm/ $^\circ\text{C}$					
SUPPLY VOLTAGE HEADROOM	$V_{IN} - V_O$		300			mV					
LINE REGULATION	$\Delta V_O / \Delta V_{IN}$	$V_{IN} = 4.3\text{ V to }15\text{ V}$, $-40^\circ\text{C} < T_A < +125^\circ\text{C}$		10	25	ppm/V					
LOAD REGULATION	$\Delta V_O / \Delta I_{LOAD}$	$I_{LOAD} = 0\text{ mA to }5\text{ mA}$, $-40^\circ\text{C} < T_A < +125^\circ\text{C}$, $V_{IN} = 5\text{ V}$			140	ppm/mA					
QUIESCENT CURRENT	I_{IN}	No load			120	μA					
		$-40^\circ\text{C} < T_A < +125^\circ\text{C}$			140	μA					
VOLTAGE NOISE	en_{p-p}	0.1 Hz to 10 Hz		7		$\mu\text{V p-p}$					
TURN-ON SETTLING TIME	t_R			20		μs					
LONG-TERM STABILITY ¹	ΔV_O	1000 hours		50		ppm					
OUTPUT VOLTAGE HYSTERESIS	ΔV_{O_HYS}			100		ppm					
RIPPLE REJECTION RATIO	RRR	$f_{IN} = 60\text{ kHz}$		80		dB					
SHORT CIRCUIT TO GND	I_{SC}	$V_{IN} = 5\text{ V}$		25		mA					
		$V_{IN} = 15\text{ V}$		30		mA					
SHUTDOWN PIN			2.4								
							Shutdown Supply Current	I_{SHDN}		3	μA
							Shutdown Logic Input Current	I_{LOGIC}		500	nA
							Shutdown Logic Low	V_{INL}		0.8	V
Shutdown Logic High	V_{INH}				V						

¹ The long-term stability specification is noncumulative. The drift of subsequent 1000 hour periods is significantly lower than in the first 1000 hour period.

ADR390/ADR391/ADR392/ADR395

ADR395 SPECIFICATIONS

Electrical characteristics, $V_{IN} = 5.3 \text{ V}$ to 15 V , $T_A = 25^\circ\text{C}$, unless otherwise noted.

Table 5.

Parameter	Symbol	Conditions	Min	Typ	Max	Unit
OUTPUT VOLTAGE	V_O	A grade	4.994	5.000	5.006	V
	V_O	B grade	4.995	5.000	5.005	V
INITIAL ACCURACY	V_{OERR}	A grade			6	mV
	V_{OERR}	B grade			0.12	%
	V_{OERR}	B grade			5	mV
	V_{OERR}	B grade			0.10	%
TEMPERATURE COEFFICIENT	TCV_O	A grade, $-40^\circ\text{C} < T_A < +125^\circ\text{C}$			25	ppm/ $^\circ\text{C}$
		B grade, $-40^\circ\text{C} < T_A < +125^\circ\text{C}$			9	ppm/ $^\circ\text{C}$
SUPPLY VOLTAGE HEADROOM	$V_{IN} - V_O$		300			mV
LINE REGULATION	$\Delta V_O / \Delta V_{IN}$	$V_{IN} = 4.3 \text{ V to } 15 \text{ V}$, $-40^\circ\text{C} < T_A < +125^\circ\text{C}$		10	25	ppm/V
LOAD REGULATION	$\Delta V_O / \Delta I_{LOAD}$	$I_{LOAD} = 0 \text{ mA to } 5 \text{ mA}$, $-40^\circ\text{C} < T_A < +125^\circ\text{C}$, $V_{IN} = 6 \text{ V}$			140	ppm/mA
QUIESCENT CURRENT	I_{IN}	No load			120	μA
		$-40^\circ\text{C} < T_A < +125^\circ\text{C}$			140	μA
VOLTAGE NOISE	$e_{n \text{ p-p}}$	0.1 Hz to 10 Hz		8		$\mu\text{V p-p}$
TURN-ON SETTLING TIME	t_R			20		μs
LONG-TERM STABILITY ¹	ΔV_O	1,000 hours		50		ppm
OUTPUT VOLTAGE HYSTERESIS	ΔV_{O_HYS}			100		ppm
RIPPLE REJECTION RATIO	RRR	$f_{IN} = 60 \text{ kHz}$		80		dB
SHORT CIRCUIT TO GND	I_{SC}	$V_{IN} = 5 \text{ V}$			25	mA
		$V_{IN} = 15 \text{ V}$			30	mA
SHUTDOWN PIN						
Shutdown Supply Current	I_{SHDN}				3	μA
Shutdown Logic Input Current	I_{LOGIC}				500	nA
Shutdown Logic Low	V_{INL}				0.8	V
Shutdown Logic High	V_{INH}		2.4			V

¹ The long-term stability specification is noncumulative. The drift of subsequent 1,000 hour periods is significantly lower than in the first 1,000 hour period.

ABSOLUTE MAXIMUM RATINGS

At 25°C, unless otherwise noted.

Table 6.

Parameter	Rating
Supply Voltage	18 V
Output Short-Circuit Duration to GND	See derating curves
Storage Temperature Range	-65°C to +125°C
Operating Temperature Range	-40°C to +125°C
Junction Temperature Range	-65°C to +125°C
Lead Temperature Range (Soldering, 60 sec)	300°C

Stresses above those listed under Absolute Maximum Ratings may cause permanent damage to the device. This is a stress rating only and functional operation of the device at these or any other conditions above those indicated in the operational section of this specification is not implied. Exposure to absolute maximum rating conditions for extended periods may affect device reliability.

ESD CAUTION

ESD (electrostatic discharge) sensitive device. Electrostatic charges as high as 4000 V readily accumulate on the human body and test equipment and can discharge without detection. Although this product features proprietary ESD protection circuitry, permanent damage may occur on devices subjected to high energy electrostatic discharges. Therefore, proper ESD precautions are recommended to avoid performance degradation or loss of functionality.



THERMAL RESISTANCE

θ_{JA} is specified for the worst-case conditions, that is, θ_{JA} is specified for a device soldered in a circuit board for surface-mount packages.

Table 7. Thermal Resistance

Package Type	θ_{JA}	θ_{JC}	Unit
TSOT-23-5 (UJ-5)	230	146	°C/W

TERMINOLOGY

Temperature Coefficient

The change of output voltage with respect to operating temperature changes normalized by the output voltage at 25°C. This parameter is expressed in ppm/°C and can be determined by the following equation:

$$TCV_o [ppm/°C] = \frac{V_o(T_2) - V_o(T_1)}{V_o(25°C) \times (T_2 - T_1)} \times 10^6$$

where:

$$V_o(25°C) = V_o \text{ at } 25°C$$

$$V_o(T_1) = V_o \text{ at Temperature } 1$$

$$V_o(T_2) = V_o \text{ at Temperature } 2$$

Line Regulation

The change in output voltage due to a specified change in input voltage. This parameter accounts for the effects of self-heating. Line regulation is expressed in either percent per volt, parts-per-million per volt, or microvolts per volt change in input voltage.

Load Regulation

The change in output voltage due to a specified change in load current. This parameter accounts for the effects of self-heating. Load regulation is expressed in either microvolts per milliampere, parts-per-million per milliampere, or ohms of dc output resistance.

Long-Term Stability

Typical shift of output voltage at 25°C on a sample of parts subjected to a test of 1,000 hours at 25°C.

$$\Delta V_o = V_o(t_0) - V_o(t_1)$$

$$\Delta V_o [ppm] = \left(\frac{V_o(t_0) - V_o(t_1)}{V_o(t_0)} \times 10^6 \right)$$

where:

$$V_o(T_0) = V_o \text{ at } 25°C \text{ at Time } 0$$

$$V_o(T_1) = V_o \text{ at } 25°C \text{ after } 1,000 \text{ hours operation at } 25°C$$

Thermal Hysteresis

The change of output voltage after the device is cycled through temperatures from +25°C to -40°C to +125°C and back to +25°C. This is a typical value from a sample of parts put through such a cycle.

$$V_{o_HYS} = V_o(25°C) - V_{o_TC}$$

$$V_{o_HYS} [ppm] = \frac{V_o(25°C) - V_{o_TC}}{V_o(25°C)} \times 10^6$$

where:

$$V_o(25°C) = V_o \text{ at } 25°C$$

V_{o_TC} = V_o at 25°C after a temperature cycle from +25°C to -40°C to +125°C and back to +25°C

NOTES

Input Capacitor

Input capacitors are not required on the ADR39x. There is no limit for the value of the capacitor used on the input, but a 1 μF to 10 μF capacitor on the input improves transient response in applications where the supply suddenly changes. An additional 0.1 μF in parallel also helps reduce noise from the supply.

Output Capacitor

The ADR39x does not require output capacitors for stability under any load condition. An output capacitor, typically 0.1 μF, filters out any low level noise voltage and does not affect the operation of the part. On the other hand, the load transient response can improve with the addition of a 1 μF to 10 μF output capacitor in parallel. A capacitor here acts as a source of stored energy for a sudden increase in load current. The only parameter that degrades by adding an output capacitor is the turn-on time, and it depends on the size of the capacitor chosen.

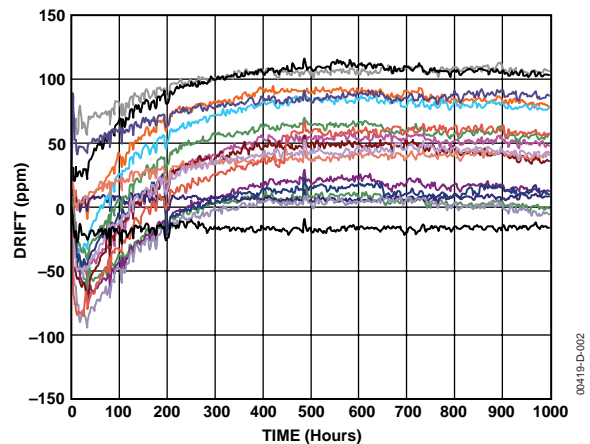


Figure 2. ADR391 Typical Long-Term Drift over 1,000 Hours

TYPICAL PERFORMANCE CHARACTERISTICS

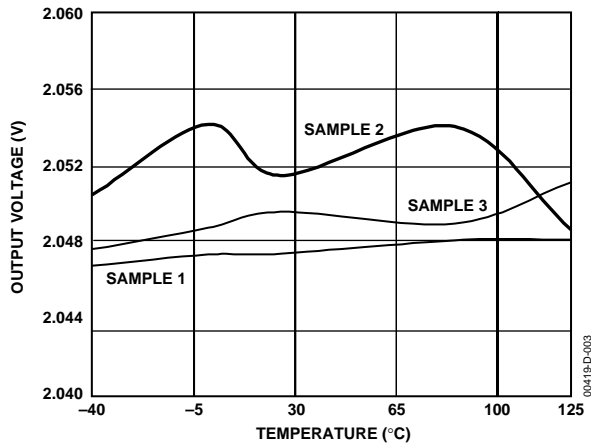


Figure 3. ADR390 Output Voltage vs. Temperature

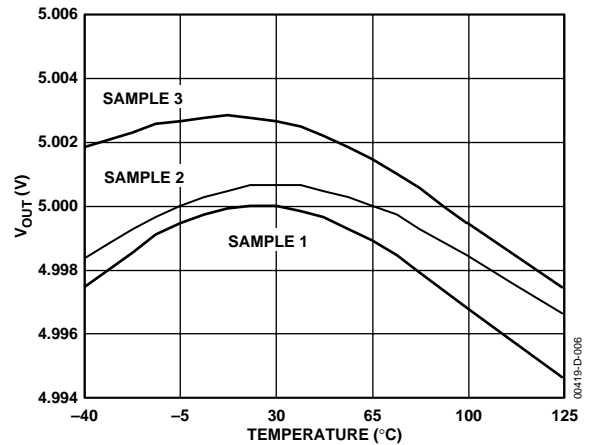


Figure 6. ADR395 Output Voltage vs. Temperature

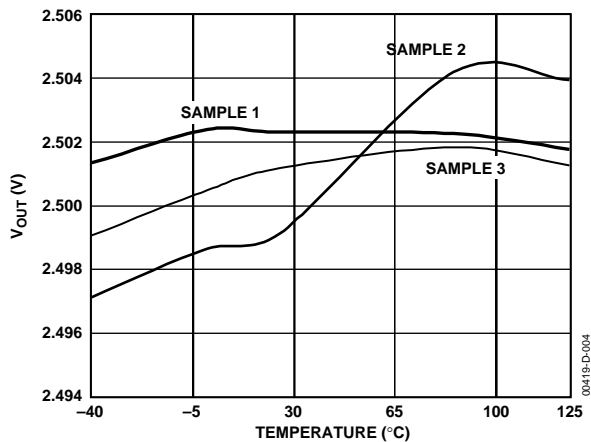


Figure 4. ADR391 Output Voltage vs. Temperature

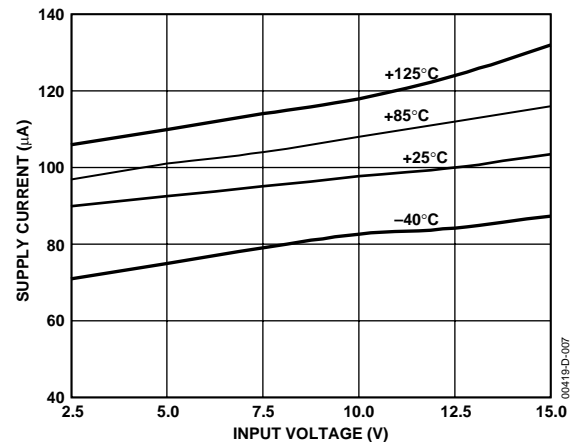


Figure 7. ADR390 Supply Current vs. Input Voltage

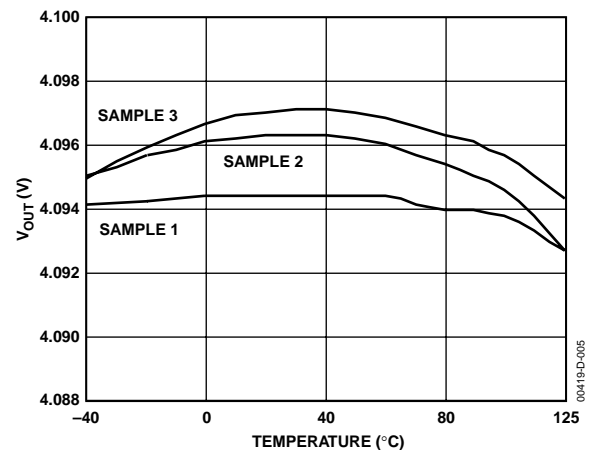


Figure 5. ADR392 Output Voltage vs. Temperature

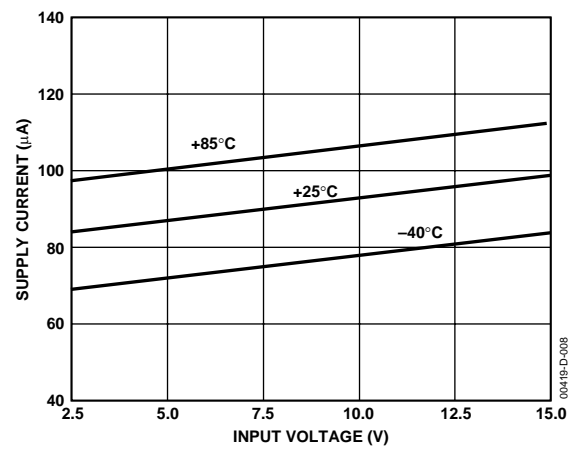


Figure 8. ADR391 Supply Current vs. Input Voltage

ADR390/ADR391/ADR392/ADR395

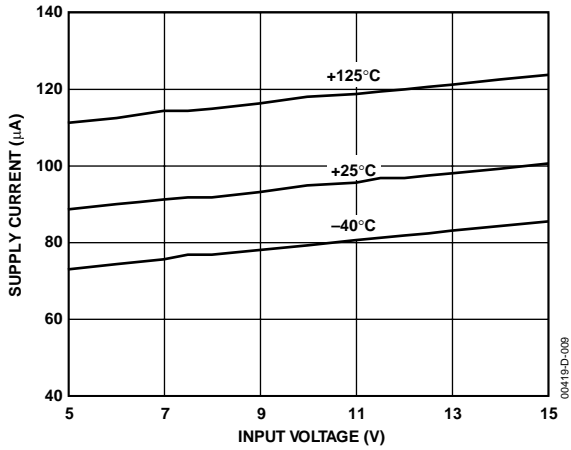


Figure 9. ADR392 Supply Current vs. Input Voltage

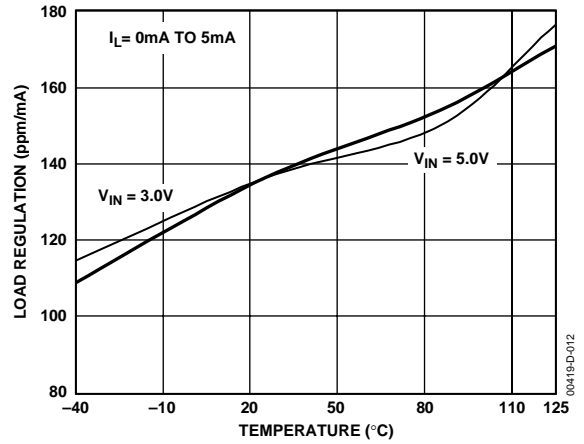


Figure 12. ADR391 Load Regulation vs. Temperature

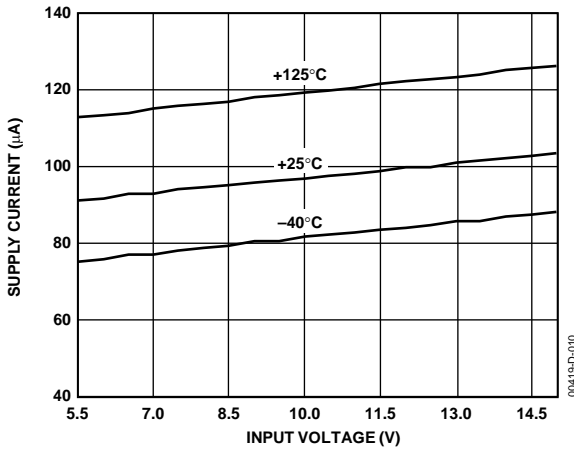


Figure 10. ADR395 Supply Current vs. Input Voltage

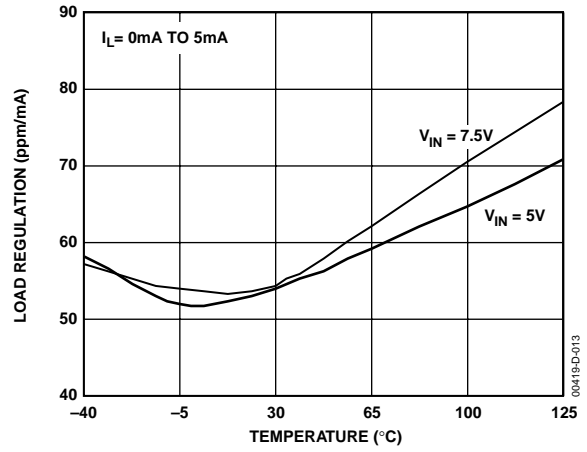


Figure 13. ADR392 Load Regulation vs. Temperature

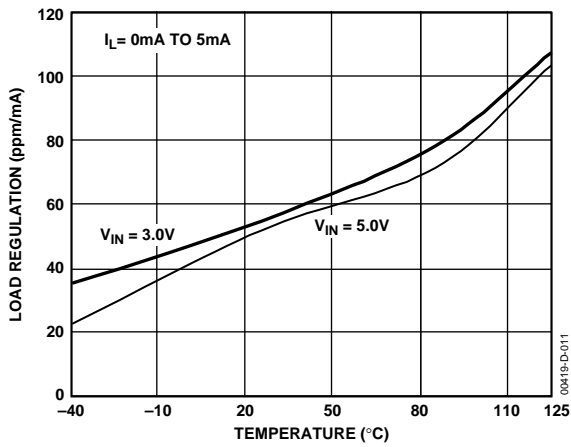


Figure 11. ADR390 Load Regulation vs. Temperature

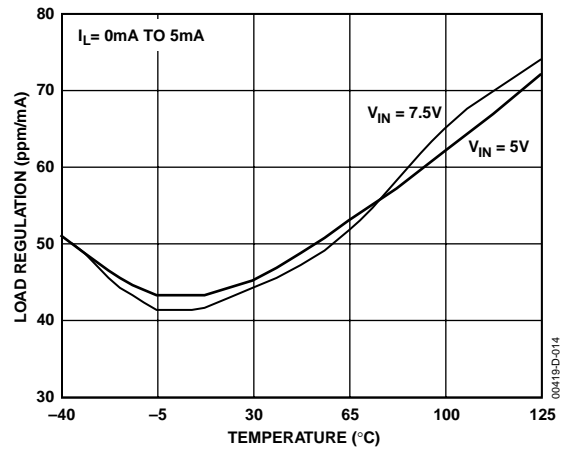


Figure 14. ADR395 Load Regulation vs. Temperature

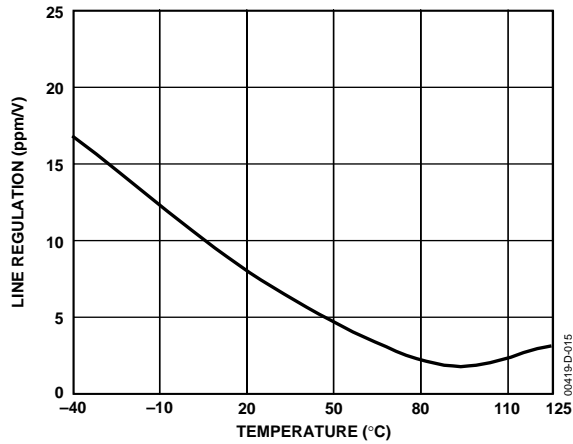


Figure 15. ADR390 Line Regulation vs. Temperature

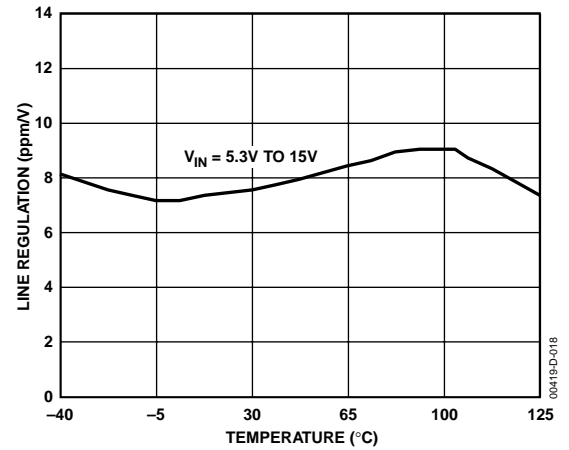


Figure 18. ADR395 Line Regulation vs. Temperature

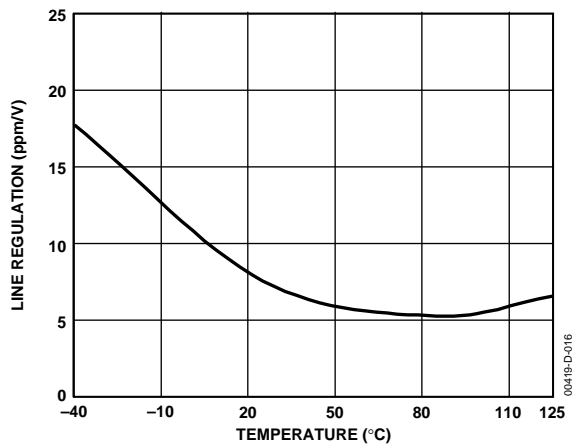


Figure 16. ADR391 Line Regulation vs. Temperature

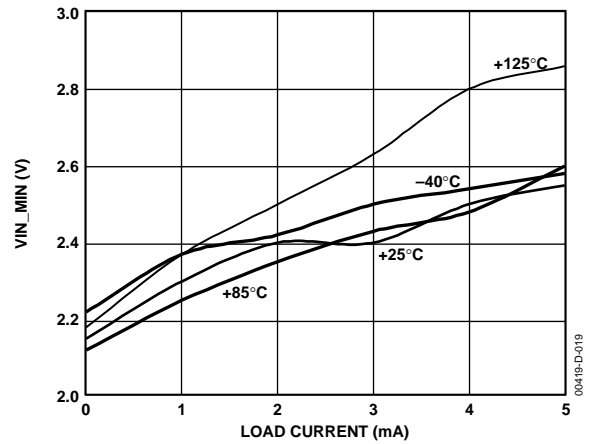


Figure 19. ADR390 Minimum Input Voltage vs. Load Current

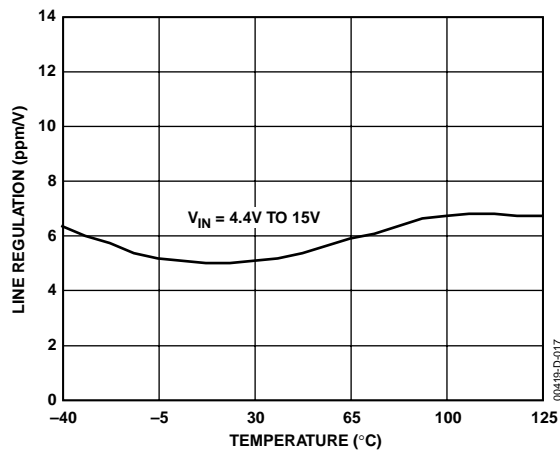


Figure 17. ADR392 Line Regulation vs. Temperature

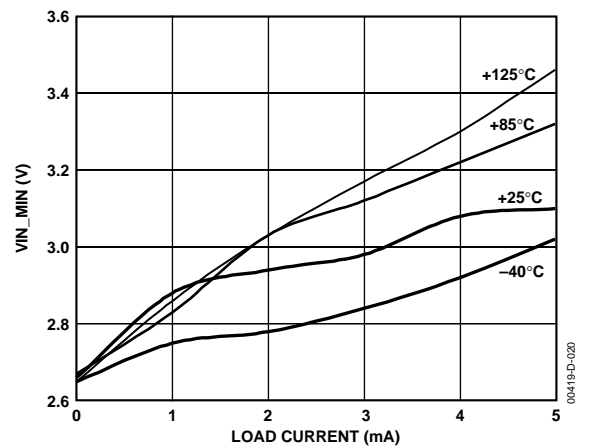


Figure 20. ADR391 Minimum Input Voltage vs. Load Current

ADR390/ADR391/ADR392/ADR395

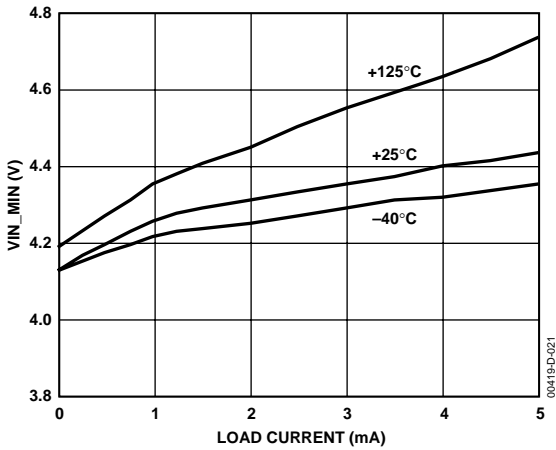


Figure 21. ADR392 Minimum Input Voltage vs. Load Current

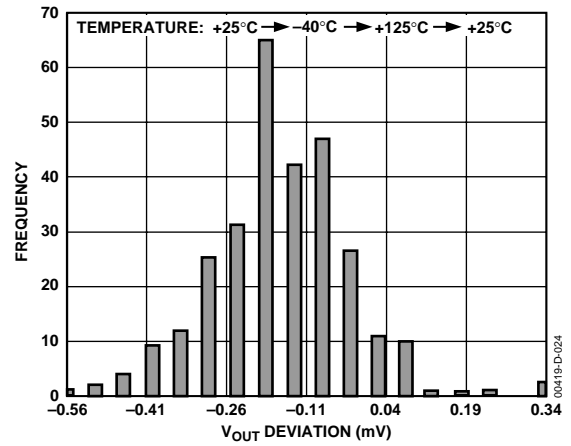


Figure 24. ADR391 V_{OUT} Hysteresis Distribution

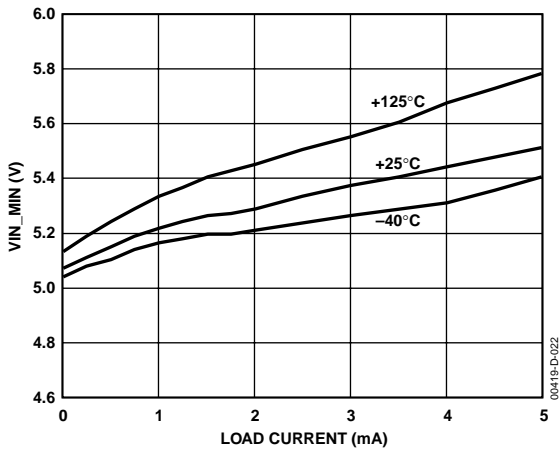


Figure 22. ADR395 Minimum Input Voltage vs. Load Current

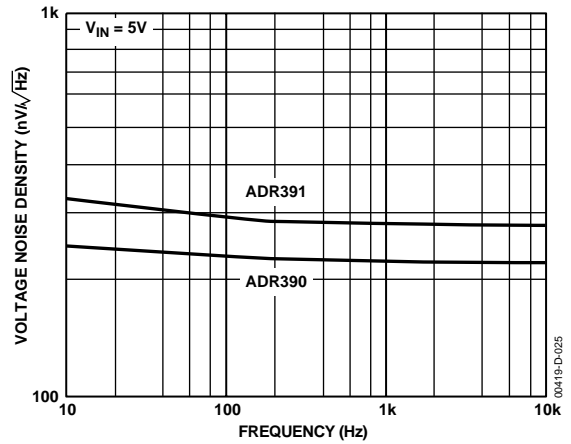


Figure 25. Voltage Noise Density vs. Frequency

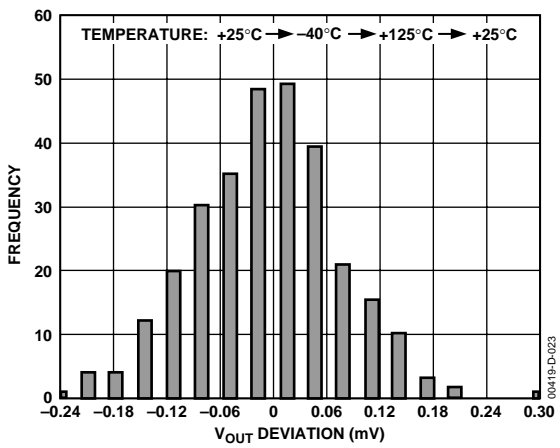


Figure 23. ADR390 V_{OUT} Hysteresis Distribution

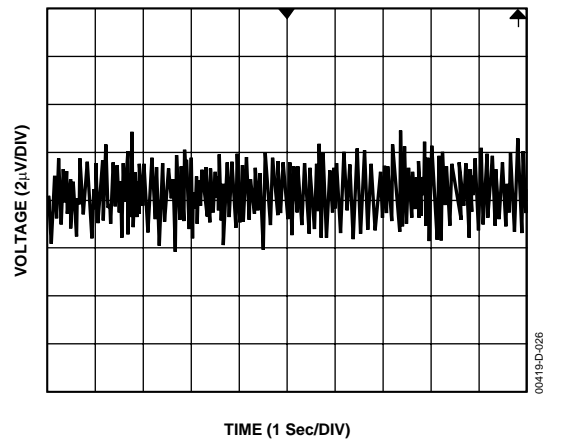


Figure 26. ADR391 Typical Voltage Noise 0.1 Hz to 10 Hz

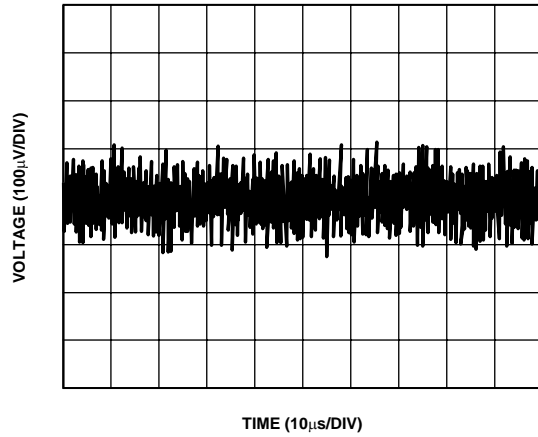


Figure 27. ADR391 Voltage Noise 10 Hz to 10 kHz

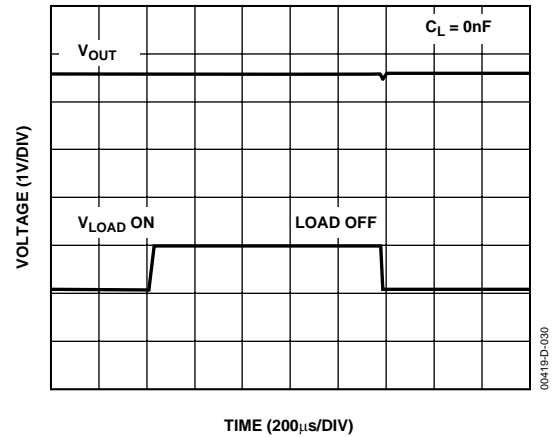


Figure 30. ADR391 Load Transient Response

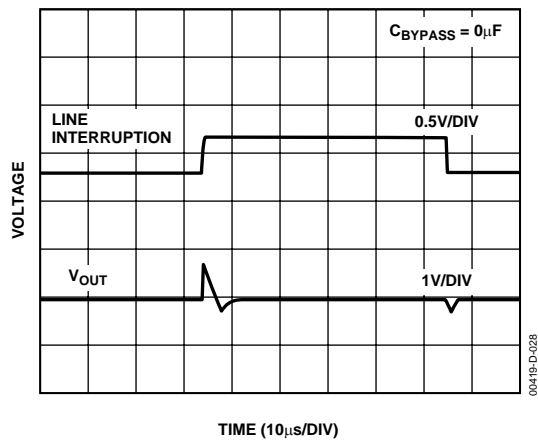


Figure 28. ADR391 Line Transient Response

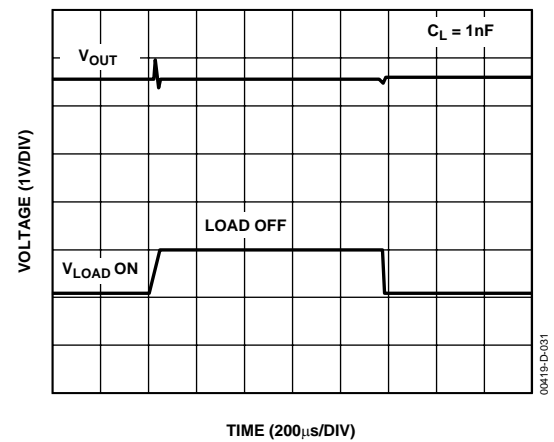


Figure 31. ADR391 Load Transient Response

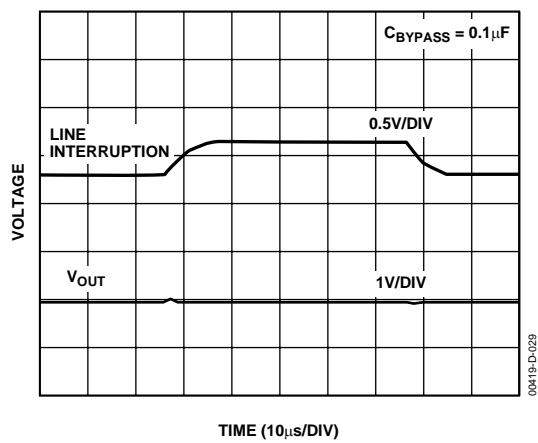


Figure 29. ADR391 Line Transient Response

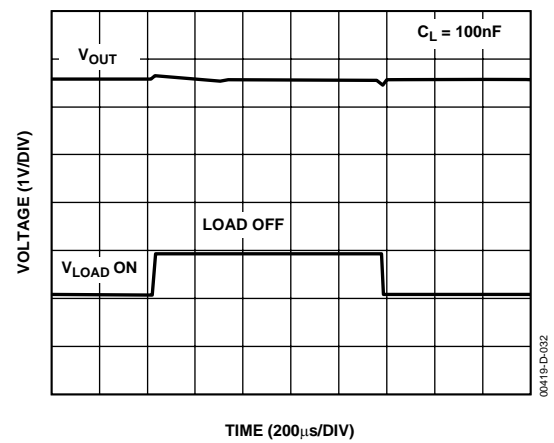


Figure 32. ADR391 Load Transient Response

ADR390/ADR391/ADR392/ADR395

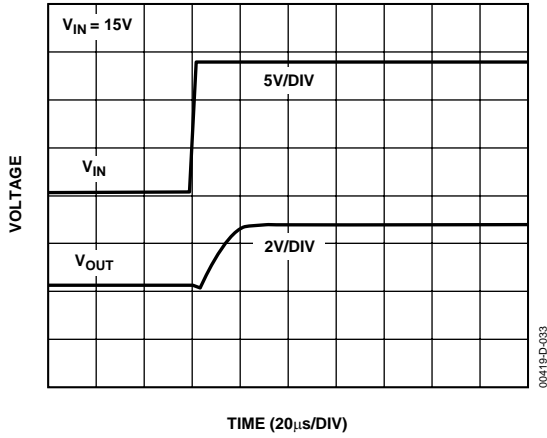


Figure 33. ADR391 Turn-On Response Time at 15 V

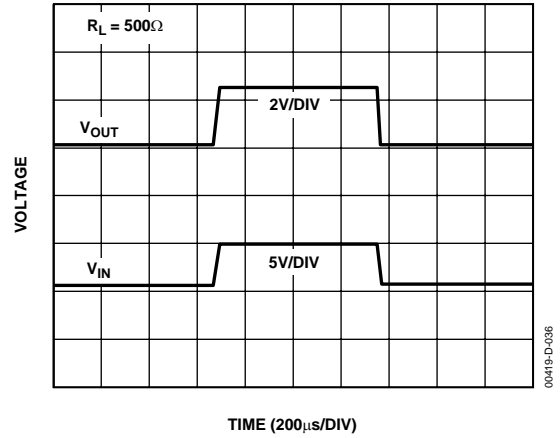


Figure 36. ADR391 Turn-On/Turn-Off Response at 5 V

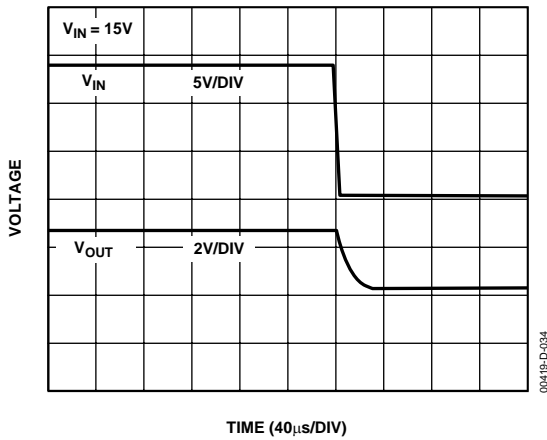


Figure 34. ADR391 Turn-Off Response at 15 V

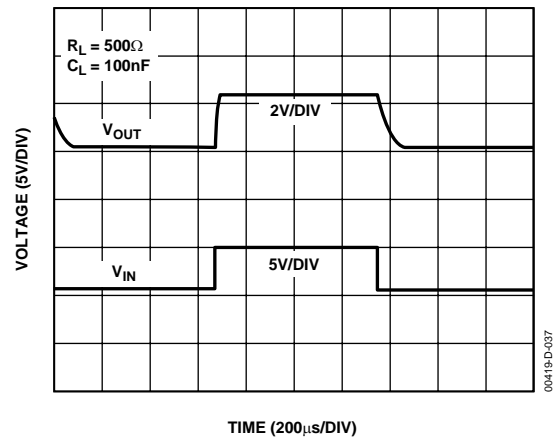


Figure 37. ADR391 Turn-On/Turn-Off Response at 5 V

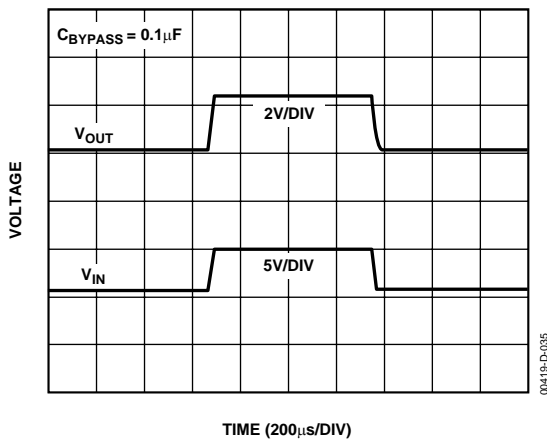


Figure 35. ADR391 Turn-On/Turn-Off Response at 5 V

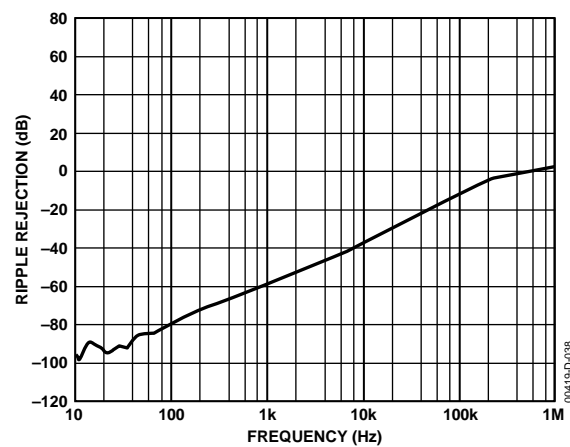


Figure 38. Ripple Rejection vs. Frequency

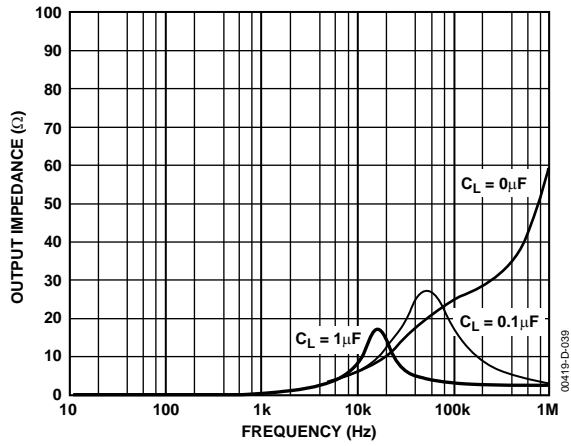


Figure 39. Output Impedance vs. Frequency

THEORY OF OPERATION

Band gap references are the high performance solution for low supply voltage and low power voltage reference applications, and the ADR390/ADR391/ADR392/ADR395 are no exception. The uniqueness of these devices lies in the architecture. As shown in Figure 40, the ideal zero TC band gap voltage is referenced to the output, not to ground. Therefore, if noise exists on the ground line, it is greatly attenuated on V_{OUT} . The band gap cell consists of the PNP pair, Q51 and Q52, running at unequal current densities. The difference in V_{BE} results in a voltage with a positive TC, which is amplified by a ratio of

$$2 \times \frac{R58}{R54}$$

This PTAT voltage, combined with V_{BE} s of Q51 and Q52, produces a stable band gap voltage.

Reduction in the band gap curvature is performed by the ratio of the resistors R44 and R59, one of which is linearly temperature dependent. Precision laser trimming and other patented circuit techniques are used to further enhance the drift performance.

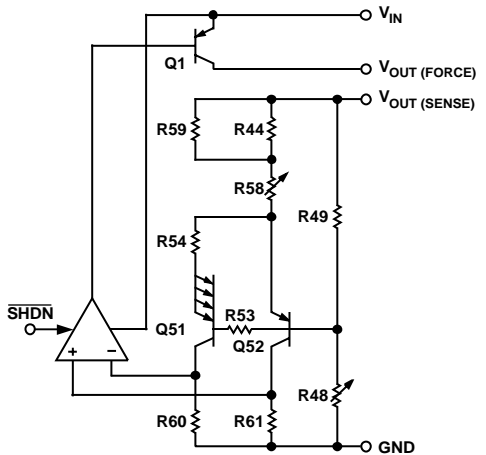


Figure 40. Simplified Schematic

DEVICE POWER DISSIPATION CONSIDERATIONS

The ADR390/ADR391/ADR392/ADR395 are capable of delivering load currents to 5 mA, with an input voltage that ranges from 2.8 V (ADR391 only) to 15 V. When these devices are used in applications with large input voltages, care should be taken to avoid exceeding the specified maximum power dissipation or junction temperature because it could result in premature device failure. The following formula should be used to calculate a device's maximum junction temperature or dissipation:

$$P_D = \frac{T_J - T_A}{\theta_{JA}}$$

In this equation, T_J and T_A are, respectively, the junction and ambient temperatures. P_D is the device power dissipation, and θ_{JA} is the device package thermal resistance.

SHUTDOWN MODE OPERATION

The ADR390/ADR391/ADR392/ADR395 include a shutdown feature that is TTL/CMOS level compatible. A logic low or a zero volt condition on the SHDN pin is required to turn the devices off. During shutdown, the output of the reference becomes a high impedance state, where its potential would then be determined by external circuitry. If the shutdown feature is not used, the SHDN pin should be connected to V_{IN} (Pin 2).

APPLICATIONS

BASIC VOLTAGE REFERENCE CONNECTION

The circuit shown in Figure 41 illustrates the basic configuration for the ADR39x family. Decoupling capacitors are not required for circuit stability. The ADR39x family is capable of driving capacitive loads from 0 μ F to 10 μ F. However, a 0.1 μ F ceramic output capacitor is recommended to absorb and deliver the charge, as required by a dynamic load.

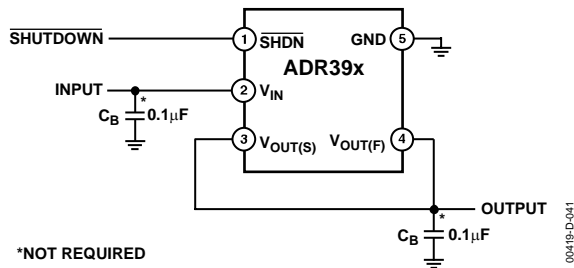


Figure 41. Basic Configuration for the ADR39x Family

Stacking Reference ICs for Arbitrary Outputs

Some applications may require two reference voltage sources, which are a combined sum of standard outputs. Figure 42 shows how this stacked output reference can be implemented.

OUTPUT TABLE		
U1/U2	V _{OUT1} (V)	V _{OUT2} (V)
ADR390/ADR390	2.048	4.096
ADR391/ADR391	2.5	5.0
ADR392/ADR392	4.096	8.192
ADR395/ADR395	5	10

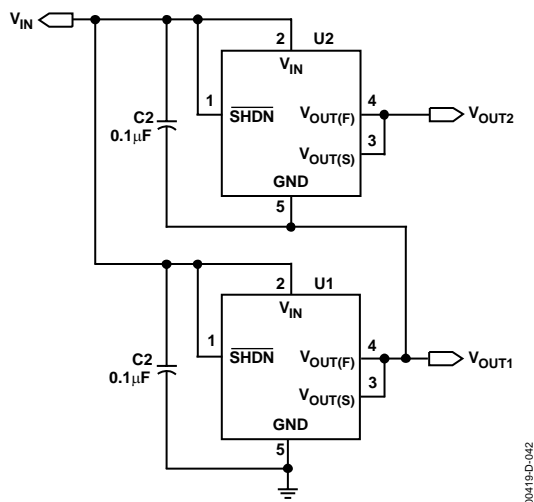


Figure 42. Stacking Voltage References with the ADR390/ADR391/ADR392/ADR395

Two reference ICs are used, fed from an unregulated input, V_{IN} . The outputs of the individual ICs are simply connected in series, which provides two output voltages, V_{OUT1} and V_{OUT2} . V_{OUT1} is the terminal voltage of U1, while V_{OUT2} is the sum of this voltage and the terminal voltage of U2. U1 and U2 are simply chosen for the two voltages that supply the required outputs (see the Output Table in Figure 42). For example, if both U1 and U2 are ADR391s, V_{OUT1} is 2.5 V and V_{OUT2} is 5.0 V.

While this concept is simple, a precaution is required. Since the lower reference circuit must sink a small bias current from U2 plus the base current from the series PNP output transistor in U2, either the external load of U1 or R1 must provide a path for this current. If the U1 minimum load is not well defined, the R1 resistor should be used and set to a value that will conservatively pass 600 μ A of current with the applicable V_{OUT1} across it. Note that the two U1 and U2 reference circuits are treated locally as macrocells; each has its own bypasses at input and output for best stability. Both U1 and U2 in this circuit can source dc currents up to their full rating. The minimum input voltage, V_{IN} , is determined by the sum of the outputs, V_{OUT2} , plus the dropout voltage of U2.

A Negative Precision Reference without Precision Resistors

A negative reference can be easily generated by adding an A1 op amp and is configured as shown in Figure 43. V_{OUTF} and V_{OUTS} are at virtual ground and, therefore, the negative reference can be taken directly from the output of the op amp. The op amp must be dual-supply, low offset, and rail-to-rail if the negative supply voltage is close to the reference output.

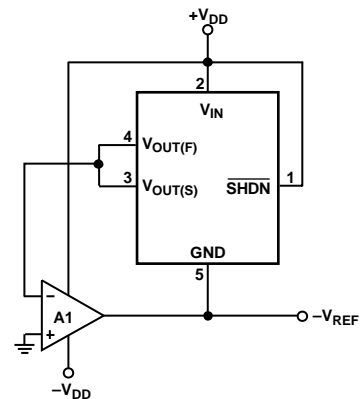


Figure 43. Negative Reference

ADR390/ADR391/ADR392/ADR395

General-Purpose Current Source

Many times in low power applications, the need arises for a precision current source that can operate on low supply voltages. ADR390/ADR391/ADR392/ADR395 can be configured as a precision current source. As shown in Figure 45, the circuit configuration is a floating current source with a grounded load. The reference's output voltage is bootstrapped across R_{SET} , which sets the output current into the load. With this configuration, circuit precision is maintained for load currents in the range from the reference's supply current, typically $90\ \mu\text{A}$ to approximately $5\ \text{mA}$.

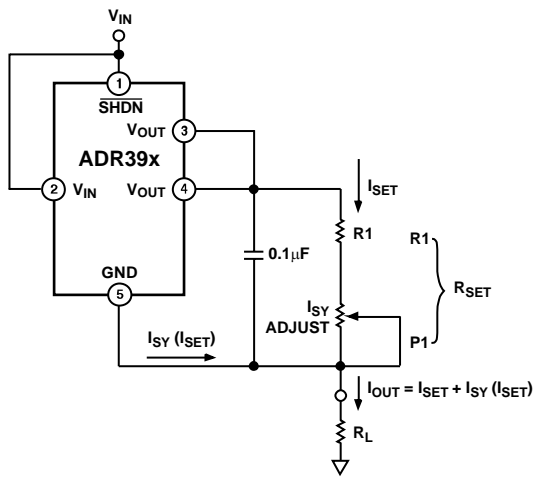


Figure 44. A General-Purpose Current Source

High Power Performance with Current Limit

In some cases, the user may want higher output current delivered to a load and still achieve better than 0.5% accuracy out of the ADR39x. The accuracy for a reference is normally specified on the data sheet with no load. However, the output voltage changes with load current.

The circuit shown in Figure 45 provides high current without compromising the accuracy of the ADR39x. The series pass transistor Q1 provides up to 1 A load current. The ADR39x delivers only the base drive to Q1 through the force pin. The sense pin of the ADR39x is a regulated output and is connected to the load.

The transistor Q2 protects Q1 during short-circuit limit faults by robbing its base drive. The maximum current is

$$I_{LMAX} \approx 0.6\ \text{V}/R_S$$

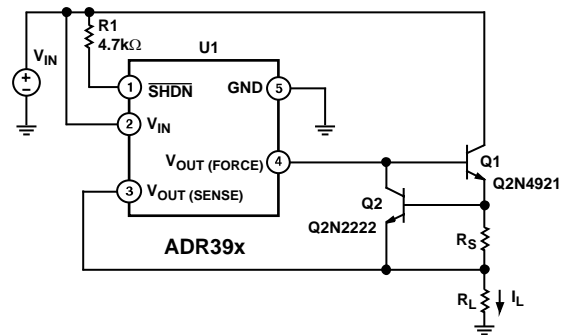


Figure 45. ADR39x for High Power Performance with Current Limit

A similar circuit function can also be achieved with the Darlington transistor configuration, as shown in Figure 46.

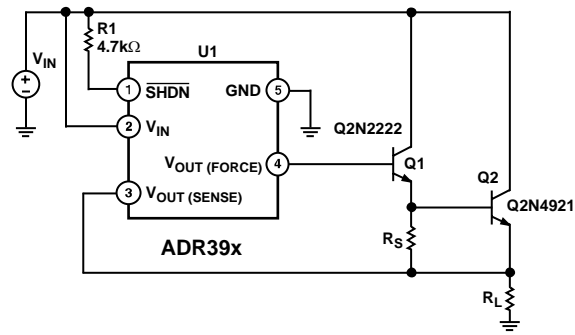
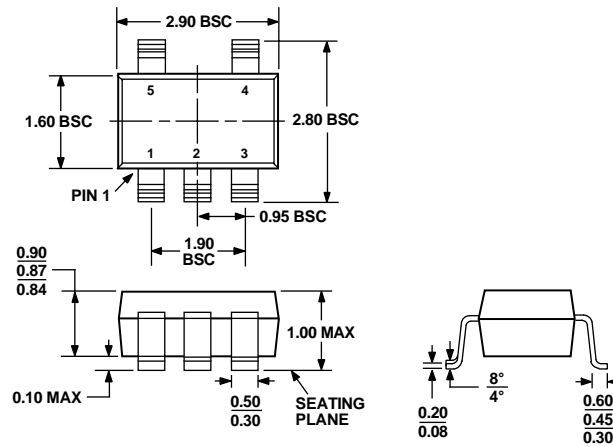


Figure 46. ADR39x for High Output Current with Darlington Drive Configuration

OUTLINE DIMENSIONS



COMPLIANT TO JEDEC STANDARDS MO-193AB

Figure 47. 5-Lead Thin Small Outline Transistor Package [TSOT] (UJ-5)
Dimensions shown in millimeters

ORDERING GUIDE

Models	Output Voltage (Vo)	Initial Accuracy (mV) (%)		Temperature Coefficient (ppm/°C)	Package Description	Package Option	Branding	Number of Parts per Reel	Temperature Range
ADR390AUJZ-REEL7 ¹	2.048	6	0.29	25	TSOT	UJ-5	R0A	3,000	-40°C to +125°C
ADR390AUJZ-R2 ¹	2.048	6	0.29	25	TSOT	UJ-5	R0A	250	-40°C to +125°C
ADR390BUJZ-REEL7 ¹	2.048	4	0.19	9	TSOT	UJ-5	R0B	3,000	-40°C to +125°C
ADR390BUJZ-R2 ¹	2.048	4	0.19	9	TSOT	UJ-5	R0B	250	-40°C to +125°C
ADR391AUJZ-REEL7 ¹	2.5	6	0.24	25	TSOT	UJ-5	R1A	3,000	-40°C to +125°C
ADR391AUJZ-R2 ¹	2.5	6	0.24	25	TSOT	UJ-5	R1A	250	-40°C to +125°C
ADR391BUJZ-REEL7 ¹	2.5	4	0.16	9	TSOT	UJ-5	R1B	3,000	-40°C to +125°C
ADR391BUJZ-R2 ¹	2.5	4	0.16	9	TSOT	UJ-5	R1B	250	-40°C to +125°C
ADR392AUJZ-REEL7 ¹	4.096	6	0.15	25	TSOT	UJ-5	RCA	3,000	-40°C to +125°C
ADR392AUJZ-R2 ¹	4.096	6	0.15	25	TSOT	UJ-5	RCA	250	-40°C to +125°C
ADR392BUJZ-REEL7 ¹	4.096	5	0.12	9	TSOT	UJ-5	RCB	3,000	-40°C to +125°C
ADR392BUJZ-R2 ¹	4.096	5	0.12	9	TSOT	UJ-5	RCB	250	-40°C to +125°C
ADR395AUJZ-REEL7 ¹	5.0	6	0.12	25	TSOT	UJ-5	RDA	3,000	-40°C to +125°C
ADR395AUJZ-R2 ¹	5.0	6	0.12	25	TSOT	UJ-5	RDA	250	-40°C to +125°C
ADR395BUJZ-REEL7 ¹	5.0	5	0.10	9	TSOT	UJ-5	RDB	3,000	-40°C to +125°C
ADR395BUJZ-R2 ¹	5.0	5	0.10	9	TSOT	UJ-5	RDB	250	-40°C to +125°C

¹ Z = Pb-free part.

NOTES