

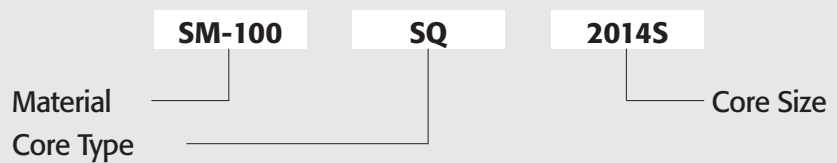
SQ, SQE, UU CORES

SQ17~SQ40

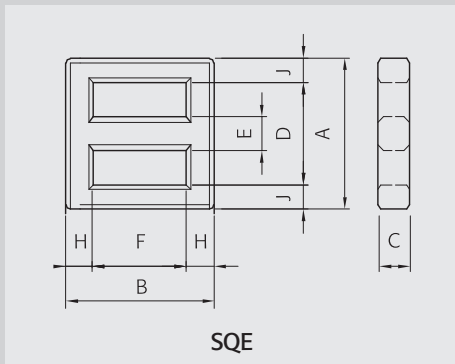
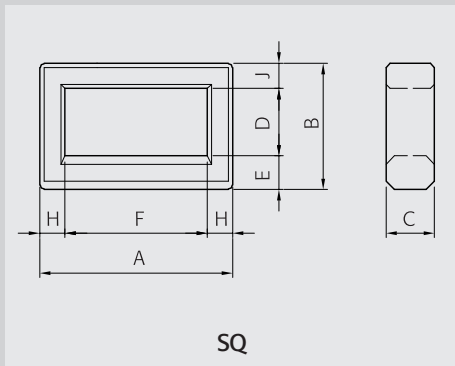
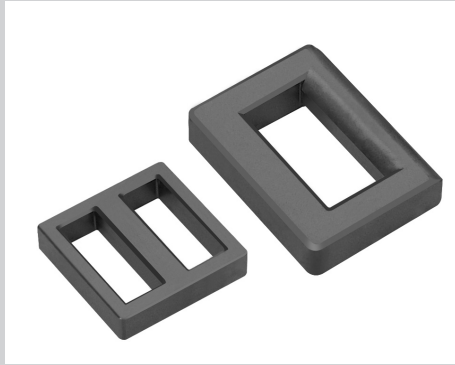
SQE20~SQE35

UU10~UU93

Ordering Code System



SQ, SQE CORES



Part No.		SQ1715S	SQ2014S	SQ2115S	SQ2116S
Type		SQ	SQ	SQ	SQ
Dimensions in mm	A	17.60 ±0.20	20.60 ±0.30	21.50 ±0.30	21.50 ±0.20
	B	15.00 ±0.20	14.10 ±0.25	14.90 ±0.20	15.80 ±0.25
	C	3.60 ±0.20	4.60 ±0.20	3.70 ±0.15	4.60 ^{+0.00} _{-0.20}
	D	4.55 ±0.20	7.25 min.	6.65 min.	7.00 ±0.20
	E	3.75 ±0.15	4.20 ±0.20	4.30 ±0.15	4.40 ±0.20
	F		15.70 min.	15.40 min.	15.30 ±0.20
	H	3.00 ±0.15	2.30 ±0.15	2.90 ±0.15	3.10 ±0.15
J		2.40 ±0.15	3.70 ±0.15		

Core Set Parameters		SQ1715S	SQ2014S	SQ2115S	SQ2116S
C1(mm ⁻¹)		3.220	4.410	4.350	2.780
Le(mm)		45.8	53.1	55.1	55.0
Ae(mm ²)		14.2	12.0	12.6	19.8
Ve(mm ³)		651	639	698	1088
Ac(mm ²)					
Aw(mm ²)		52.8	120.0	108.0	107.1
W(g/set)		3.2	3.7	3.6	4.8

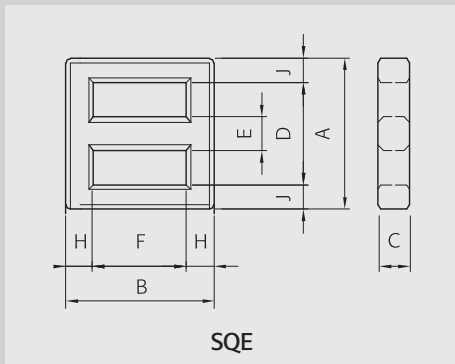
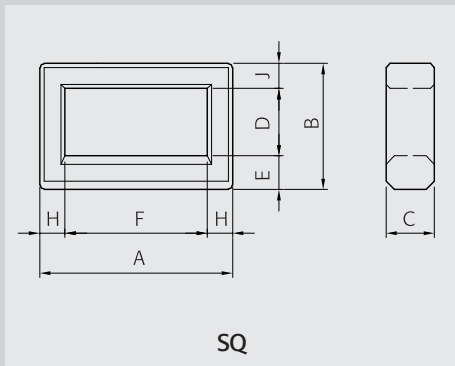
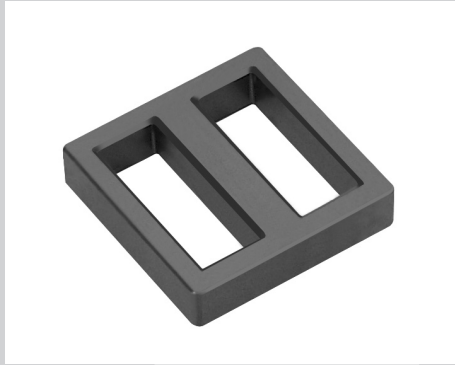
Electrical Characteristics		SM-50	SM-60	SM-70S	SM-100	SM-120
AL value	SM-50	1950	1400	1430	2260	
	SM-60	2340	1710	1730	2710	
	SM-70S	2930	2100	2150	3390	
	SM-100	3900	2800	2870	4520	
	SM-120	4700	3400	3400	5400	

Note : 1) AL value

- Unit : nH/N²
- Measuring conditions : 1kHz, 0.1V, 100Ts, at 23°C
- Tolerance : ±25% (SM-100, SM-120 : ±30%)

	SQ2215S	SQ4030S	SQE2020S	SQE2215S	SQE2222S	SQE2424S	SQE2626S	SQE2828S	SQE2930S	
	SQ	SQ	SQE	SQE	SQE	SQE	SQE	SQE	SQE	
A	21.50 ±0.30	40.70 ±0.40	20.10 ±0.40	21.50 ±0.30	23.50 ±0.30	24.20 ±0.50	26.00 ^{+0.40} _{-0.20}	28.45 ±0.55	29.00 ±0.40	
B	14.90 ±0.20	30.80 ±0.40	20.10 ±0.40	14.90 ±0.20	22.00 ±0.30	24.20 ±0.50	26.00 ^{+0.40} _{-0.20}	28.45 ±0.55	30.00 ±0.40	
C	4.50 ±0.20	8.70 ±0.30	4.40 ±0.20	4.50 ±0.20	3.80 ±0.20	4.00 ±0.30	4.50 ^{+0.10} _{-0.20}	5.00 ±0.30	5.00 ±0.30	
D	7.60 min.	13.10 min.	15.70 min.	7.60 min.	19.40 ±0.20	19.00 min.	21.00 ^{+0.30} _{-0.20}	22.20 min.	22.60 min.	
E	4.20 ±0.20	8.70 ±0.30	4.00 ±0.20	4.20 ±0.20	3.80 ±0.20	4.00 ±0.30	4.50 ±0.20	5.00 ±0.20	5.00 ±0.25	
F	15.90 min.	26.60 min.	15.70 min.	15.90 min.	17.60 ±0.20	19.00 min.	21.00 ^{+0.30} _{-0.20}	22.20 min.	23.60 min.	
H	2.65 ±0.15	6.90 ±0.20	2.00 ±0.20	2.65 ±0.15	2.20 ±0.15	2.40 ±0.15	2.50 ±0.15	2.90 ±0.15	3.00 ±0.20	
J	2.80 ±0.20	8.60 ±0.25	2.00 ±0.20	2.80	2.05 ±0.15	2.40 ±0.15	2.50 ±0.15	2.90 ±0.15	3.00 ±0.20	
C1(mm⁻¹)	4.190	1.557	2.930	4.160	3.700	3.460	3.120	2.670	2.700	
Le(mm)	56.2	104.0	50.5	56.1	57.2	60.8	66.0	71.1	74.3	
Ae(mm²)	13.4	67.1	17.2	13.5	15.5	17.5	21.1	26.6	27.5	
Ve(mm³)	754	7010	871	757	884	1060	1395	1890	2050	
Ac(mm²)			17.6	18.9	14.4	16.0	20.3	25.0	25.0	
Aw(mm²)	127.0	363.0	97.4	31.0	144.0	149.0	173.3	199.0	216.0	
W(g/set)	4.1	35.3	4.3	4.2	4.3	5.4	6.8	10.0	10.5	
AL value	SM-50	1450	3950	2150	1510	1700	1800	2010	2350	2350
	SM-60	1800	4840	2570	1810	2040	2180	2420	2820	2790
	SM-70S	2200	5800	3200	2270	2550	2700	3020	3600	3500
	SM-100	2900	7900	4300	3020	3400	3600	4030	4700	4650
	SM-120	3500	9500	5200	3600	4100	4300	4800	5600	5600

SQE CORES



Part No. **SQE3535N**

Type **SQE**

Dimensions in mm		
A		35.30 ±0.60
B		35.30 ±0.60
C		7.50 ±0.30
D		26.80 min.
E		7.50 ±0.30
F		26.80 min.
H		4.00 ±0.20
J		4.00 ±0.20

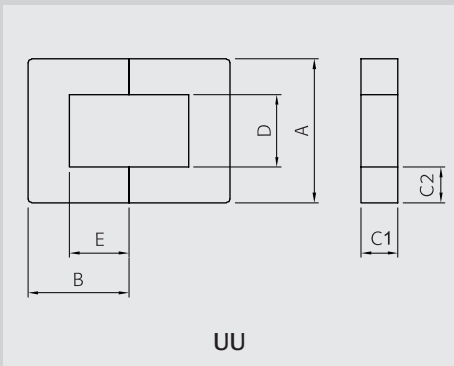
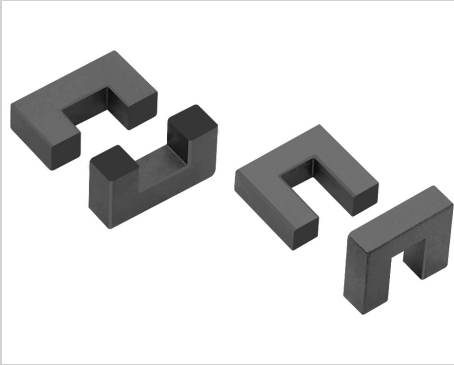
Core Set Parameters		
C1 (mm ⁻¹)		1.494
Le (mm)		86.6
Ae (mm ²)		57.9
Ve (mm ³)		5020
Ac (mm ²)		56.2
Aw (mm ²)		270.0
W (g/set)		25.0

Electrical Characteristics		
Al value	SM-50	4200
	SM-60	5050
	SM-70S	6300
	SM-100	8400
	SM-120	10100

Note : 1) Al value

- Unit : nH/N²
- Measuring conditions : 1kHz, 0.1V, 100Ts, at 23°C
- Tolerance : ±25% (SM-100, SM-120 : ±30%)

UU CORES



Part No.		UU1014S	UU1015S	UU1116S	UU1320S
Type		UU	UU	UU	UU
Dimensions in mm	A	9.80 ±0.20	10.15 ±0.20	10.50 ±0.30	13.50 ±0.30
	B	7.10 ±0.10	7.40 ±0.20	7.90 ±0.20	9.90 ^{+0.00} _{-0.40}
	C1	2.70 ±0.20	2.90 ^{+0.10} _{-0.15}	5.00 ±0.30	5.00 ^{+0.00} _{-0.40}
	C2	2.80 ±0.10	2.90 ±0.10	2.50 ±0.20	3.50 ^{+0.00} _{-0.25}
	D	4.20 ±0.20	4.35 ±0.20	5.50 ±0.30	6.50 ^{+0.50} _{-0.00}
	E	4.20 ±0.20	4.20 ^{+0.35} _{-0.00}	5.40 ±0.20	6.10 ^{+0.30} _{-0.00}

Core Set Parameters		UU1014S	UU1015S	UU1116S	UU1320S
C1 (mm ⁻¹)		4.460	4.190	3.240	3.010
Le (mm)		34.1	35.5	40.5	49.2
Ae (mm ²)		7.7	8.5	12.4	16.3
Ve (mm ³)		261	300	505	803
AW (mm ²)		35.2	38.0	59.4	84.3
W (g/set)		1.3	1.5	2.5	4.0

Electrical Characteristics ⁽¹⁾⁽²⁾		AL value	PL-7	PL-9	PL-11	PL-13	PL-15				
			377	460	390	490	390	377	460	390	490
Core loss			SM-50	SM-60	SM-70S	SM-100	PL-7	PL-9	PL-11	PL-13	PL-15
			770	920	1180	1210 min.	0.14	0.13	0.13	0.13	0.12
			830	996	1020	950 min.	0.17	0.15	0.15	0.14	0.14
			1212	1450	1550	1466 min.	0.28	0.25	0.25	0.24	0.23
			1400	1680	1870	1650 min.	0.44	0.40	0.40	0.39	0.36

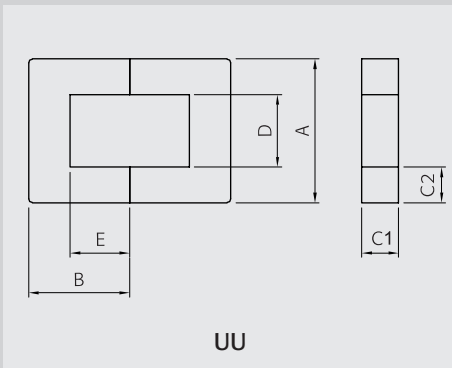
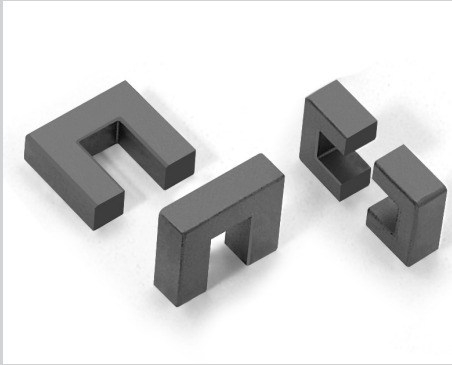
Note : 1) Core loss

- Unit : Watt max.
- Measuring conditions
- PL-7, PL-11, PL-15 : 100kHz, 200mT, at 100°C
- PL-9, PL-13 : 100kHz, 200mT, at 80°C
- 1) 25kHz, 200mT, at 100°C

2) AL value

- Unit : nH/N²
- Measuring conditions : 1kHz, 0.1V, 23°C
- Tolerance : ±25%
- SM-100 : Non mirror grinding
- 1) 1kHz, 1V

UU CORES



Part No.		UU1420S	UU1522S	UU1523N	UU1620S
Type		UU	UU	UU	UU
Dimensions in mm	A	14.00 ^{+0.00} _{-0.50}	15.20 ±0.30	15.20 ±0.50	16.00 ±0.20
	B	9.55 ±0.20	11.20 ±0.25	11.40 ±0.20	10.00 ±0.20
	C1	8.00 ^{+0.00} _{-0.50}	6.70 ^{+0.00} _{-0.50}	6.40 ^{+0.00} _{-0.20}	6.00 ±0.15
	C2	4.00 ^{+0.00} _{-0.50}	5.00 ref.	5.00 ±0.20	4.50 ref.
	D	5.60 min.	5.20 ±0.30	5.20 ±0.30	6.70 min.
	E	5.60 min.	5.70 ^{+0.70} _{-0.00}	6.40 ±0.20	6.00 ±0.20

Core Set Parameters		UU1420S	UU1522S	UU1523N	UU1620S
C1(mm ⁻¹)		1.630	1.551	1.616	1.996
Le(mm)		47.5	50.5	51.7	51.2
Ae(mm ²)		29.1	32.5	31.9	25.6
Ve(mm ³)		1380	1640	1650	1310
Aw(mm ²)		67.3	62.9	66.5	84.0
W(g/set)		6.7	8.5	8.6	7.2

Electrical Characteristics ⁽¹⁾⁽²⁾		AL value	UU1420S	UU1522S	UU1523N	UU1620S	
			PL-7	1300	1400	1360	1135
	PL-9	1700	1620	1600	1400		
	PL-11	1400	1500	1400	1200		
	PL-13	1733	1867	1813	1500		
	PL-15	1400	1500	1400	1200		
	SM-50	2600	2700	2600	2200		
	SM-60	3100	3240	3120	2580		
	SM-70S	3500	3500	3400	2780		
	SM-100	3100 min.	3200 min.	3100 min.	2550 min.		
Core loss		Core loss	PL-7	0.76	0.90	0.91	0.72
			PL-9	0.69	0.82	0.83	0.66
			PL-11	0.69	0.82	0.83	0.66
			PL-13	0.66	0.79	0.79	0.63
			PL-15	0.62	0.74	0.74	0.59

Note : 1) Core loss

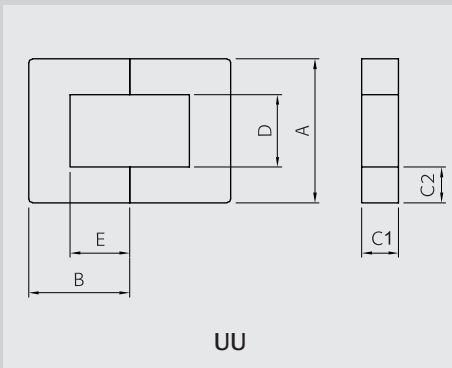
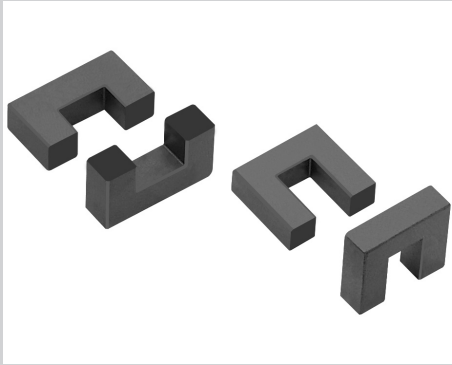
- Unit : Watt max.
- Measuring conditions
- PL-7, PL-11, PL-15 : 100kHz, 200mT, at 100°C
- PL-9, PL-13 : 100kHz, 200mT, at 80°C
- 1) 25kHz, 200mT, at 100°C

2) AL value

- Unit : nH/N²
- Measuring conditions : 1kHz, 0.1V, 23°C
- Tolerance : ±25%
- SM-100 : Non mirror grinding
- 1) 1kHz, 1V

	UU1622S	UU1820S	UU2027S	UU2132S	UU2323S	UU2528S	UU2537S	UU2633SN	UU2831S	
	UU	UU	UU	UU	UU	UU	UU	UU	UU	
A	16.00 ±0.30	18.00 ±0.30	20.50 ±0.30	20.80 ±0.60	23.00 ±0.50	25.00 ±0.40	24.50 ±0.70	26.50 ±0.50	28.00 ^{+0.00} _{-0.50}	
B	11.00 ±0.20	10.00 ±0.20	13.50 ^{+0.50} _{-0.00}	15.55 ±0.25	11.40 ±0.20	14.00 ±0.20	18.30 ±0.25	16.50 ±0.25	15.50 ^{+0.00} _{-0.50}	
C1	6.00 ±0.15	6.00 ±0.15	11.00 ±0.25	7.45 ±0.25	6.40 ±0.20	7.00 ±0.30	7.30 ±0.30	16.00 ±0.25	7.00 ^{+0.00} _{-0.50}	
C2	4.50 ref.	4.50 ref.	5.00 ±0.15	7.25 ref.	5.00 ±0.20	7.00 ±0.20	7.30 ref.	5.00 ^{+0.00} _{-0.50}	7.00 ^{+0.00} _{-0.50}	
D	6.70 min.	8.70 min.	10.50 ±0.30	6.30 ±0.30	13.00 ±0.30	11.00 ref.	9.90 ±0.30	16.00 ^{+1.50} _{-0.00}	14.00 ^{+0.50} _{-0.00}	
E	7.00 ±0.15	6.50 ±0.15	8.50 ^{+0.50} _{-0.00}	8.30 ±0.30	6.40 ±0.20	7.00 ±0.30	10.85 ±0.25	11.50 ^{+0.50} _{-0.00}	8.50 ^{+0.50} _{-0.00}	
C1(mm⁻¹)	2.140	2.15	1.270	1.270	1.366	1.469	1.510	0.62	1.88	
Le(mm)	55.2	54.0	71.0	68.6	32.1	72.0	84.4	95.8	84.3	
Ae(mm²)	25.7	25.1	55.8	54.0	23.6	49.0	55.8	155.3	44.8	
Ve(mm³)	1420	1357	3962	3700	756	3520	4709	14878	3773	
AW(mm²)	98.0	113.1	178.5	104.0	166.4	154.0	214.8	368	238	
W(g/set)	7.3	7.1	20.0	19.0	11.0	18.5	23.9	36.0	24.0	
Al value	PL-7	1050	1000	1760	1760	1020	1530	1310	1370	1120
	PL-9	1200	1250	2060	2060	1280	1800	1640	1700	1400
	PL-11	1100	1050	1800	1800	1065	1600	1365	1420	1167
	PL-13	1400	1330	2347	2347	1365	2040	1740	1820	1493
	PL-15	1100	1050	1800	1800	1065	1600	1365	1420	1167
	SM-50	2100	2050	3650	3650	2130	3150	2735	2850	2333
	SM-60	2520	2450	4380	4380	2560	3780	3280	3420	2800
	SM-70S	2700	2700	4820	4700	3200	4200	4100	3800	3500 ¹⁾
SM-100	2500 min.	2400 min.	4300 min.	4350 min.	2560 min.	3750 min.	3280 min.	3400 min.	2800 min.	
Core loss	PL-7	0.78	0.75	2.18	2.04	0.42	1.94	2.59	8.20	2.2
	PL-9	0.71	0.68	1.98	1.85	0.38	1.76	2.35	7.50	2
	PL-11	0.71	0.68	1.98	1.85	0.38	1.76	2.35	7.50	2
	PL-13	0.68	0.65	1.90	1.78	0.36	1.69	2.26	7.40	1.90
	PL-15	0.64	0.61	1.78	1.67	0.34	1.58	2.12	7.00	1.85

UU CORES



Part No.		UU3356S	UU3639S	U8065S	U93
Type		UU	UU	UU	UU
Dimensions in mm	A	32.50 ±0.70	36.00 ^{+0.00} / _{-0.50}	80.00 ±1.60	93.00 ±1.80
	B	27.75 ±0.50	19.50 ^{+0.00} / _{-0.50}	64.80 ±0.50	76.00 ±0.50
	C1	12.50 ±0.30	12.00 ^{+0.00} / _{-0.50}	31.80 ±0.60	30.00 ±0.80
	C2	9.50 ref.	7.00 ^{+0.00} / _{-0.50}	22.30 ref.	28.00 ref.
	D	13.50 ±0.50	22.00 ^{+0.50} / _{-0.00}	35.20 ±1.20	35.00 min.
	E	17.75 ^{+0.5} / _{-0.20}	12.50 ^{+0.50} / _{-0.00}	42.50 ±0.80	48.00 ±0.90

Core Set Parameters		UU3356S	UU3639S	U8065S	U93
C1(mm ⁻¹)		1.07	1.50	0.440	0.421
Le(mm)		128.6	116.2	310	354
Ae(mm ²)		120.7	77.6	704	840
Ve(mm ³)		15522	9015	218240	297000
Aw(mm ²)		479.25	550	2992	3475
W(g/set)		78.0	43.5	575	760

Electrical Characteristics ⁽¹⁾⁽²⁾		AL value	UU3356S	UU3639S	U8065S	U93	
			PL-7	2650	1280	6000	6400
	PL-9	3313	1600	7500	8000		
	PL-11	2760	1333	6250	8500		
	PL-13	3533	1707	8000	6600		
	PL-15	2760	1333	6250	8500		
	SM-50	5521	2667				
	SM-60	6625	3200				
	SM-70S	8281	4000 ¹⁾				
	SM-100	6500 min.	3200 min.				
Core loss			PL-7	8.54	4.96	30 ¹⁾	40 ¹⁾
			PL-9	7.76	4.51	27 ¹⁾	36 ¹⁾
			PL-11	7.76	4.51	27 ¹⁾	36 ¹⁾
			PL-13	7.45	4.33	27 ¹⁾	36 ¹⁾
			PL-15	6.98	4.06	25 ¹⁾	33 ¹⁾

Note : 1) Core loss

- Unit : Watt max.
- Measuring conditions
 PL-7, PL-11, PL-15 : 100kHz, 200mT, at 100°C
 PL-9, PL-13 : 100kHz, 200mT, at 80°C
 1) 25kHz, 200mT, at 100°C

2) AL value

- Unit : nH/N²
- Measuring conditions : 1kHz, 0.1V, 23°C
- Tolerance : ±25%
- SM-100 : Non mirror grinding
 1) 1kHz, 1V