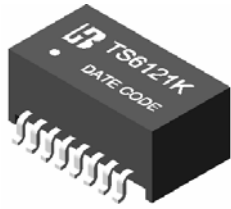


10/100 BASE PULSE TRANSFORMER

P/N: TS6121K DATA SHEET

Feature

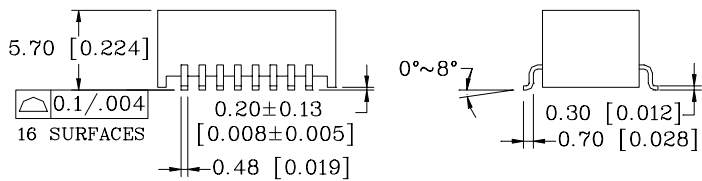
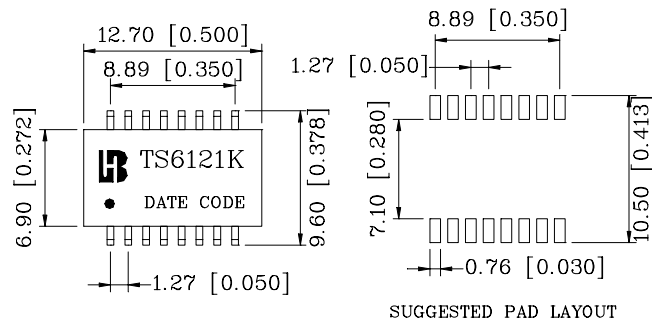
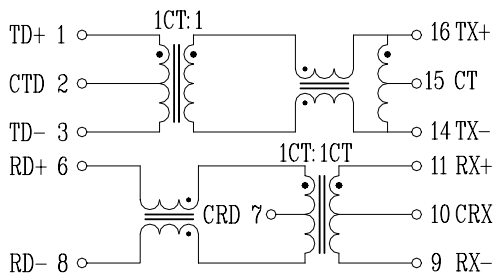


- 16 Pin SMD surface mount package.
- Dual channel low cost.
- Operation temperature: 0°C to +70°C.
- Storage temperature range: -25°C to +125°C.

Electrical Specifications @ 25°C											
Part Number	Turns Ratio		OCL (uH Min) @ 100KHz/0.1V with 8mA Bias			Cw/w (pF Max)	L.L (uH Max)	DCR (Ω Max)		HI-POT (Vrms)	
	TX	RX						1-3/11-9	16-14/6-8		
TS6121K	1CT:1	1CT:1CT	350			28	0.5	0.9	1.1	1500	
Continue											
Part Number	Insertion Loss (dB Max)	Return Loss (dB Min)				Cross talk (dB Min)			DCMR (dB Min)		
		0.3-100 MHz	0.3-30MHz	40MHz	50MHz	60-80MHz	0.3-30MHz	60MHz	80-100MHz	0.3-30 MHz	60MHz
TS6121K	-1.15	-18	-15.5	-13.0	-12	-50	-45	-40	-42	-35	-30

Schematic

Mechanical



Units: mm[Inches] Tolerances: xx.x0±0.25[0.010]
0.xx±0.05[0.002]