

StoreJet[®] 25 D2

SATA HDD Enclosure

Description

This device is designed to expedite exchanging huge amounts of data between Transcend StoreJet[®] and any desktop or notebook computer.

System Requirements

- Desktop or notebook computers with USB port
- One of following operating systems:
 - Windows[®] XP/Vista/7, Mac OS 9.0 or above
 - Linux Kernel 2.4 or above

Placement



Features

- Sleek, durable and shock-resistant
- Advanced internal hard drive suspension system
- High-speed USB 2.0 compliant and backwards compatible with USB 1.1
- Easy Plug and Play operation – no drivers required
- Extra-large storage capacity
- USB powered – no external adapter necessary
- Power saving sleep mode
- High-speed data transfer rates up to 480Mbps per second
- Includes StoreJet Elite backup and security software
- LED power / data transfer activity indicator
- Recommended operating temperature: 5°C ~ 55°C

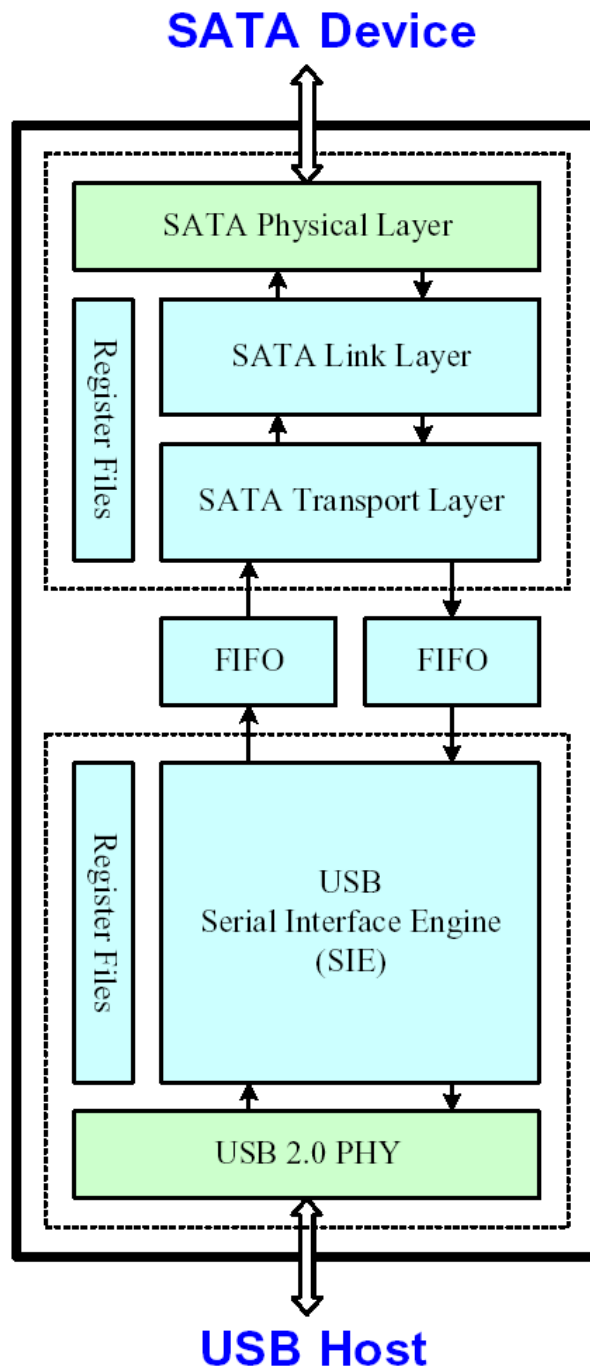
Dimensions

Side	Millimeters	Inches
A	129.90 ± 1.00	5.114 ± 0.04
B	82.07 ± 1.00	3.231 ± 0.04
C	17.30 ± 1.00	0.681 ± 0.04

Ordering Information

Transcend P/N	Capacity
TS250GSJ25D2	250GB
TS320GSJ25D2	320GB
TS500GSJ25D2	500GB
TS640GSJ25D2	640GB

Block Diagram



StoreJet[®] 25 D2

SATA HDD Enclosure

Pinouts

Pin No.	Pin Name
01	VCC
02	USB-
03	USB+
04	VSS

Pin Identification

Symbol	Function
USB-	USB differential signal
USB+	The pairs are used to transmit Data/Address/Command
VCC	USB Cable Power Detector
VSS	Ground

Specifications

Environment		
Storage Media		2.5 inch SATA Hard Disk
Temperature	Operation	5 °C to 55 °C
	Storage	-20 °C to 60 °C
Power Supply		USB DC 5 Volt
Power Consumption		1090mA (Max.)
Size (L x W x H)		129.90mm x 82.07mm x 17.3mm
Weight	With Hard Drive	191g
Certificates		CE, FCC, BSMI

Above technical information is based on industry standard data and tested to be reliable. However, Transcend makes no warranty, either expressed or implied, as to its accuracy and assumes no liability in connection with the use of this product. Transcend reserves the right to make changes in specifications at any time without prior notice.