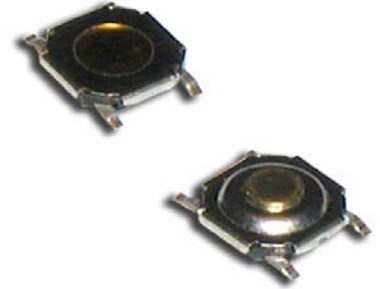


**SPECIFICATIONS**

Electrical Ratings	50mA @ 50VDC
Electrical Life	100,000 cycles typical
Contact Resistance	< 50 mΩ initial
Actuation Force	160 +/- 50gF 260 +/- 50gF
Actuator Travel	.25 +/- .1mm
Dielectric Strength	250Vrms min
Insulation Resistance	> 100MΩ min
Operating Temperature	-40°C to 85°C
Storage Temperature	-40°C to 85°C



**MATERIALS ←RoHS COMPLIANT**

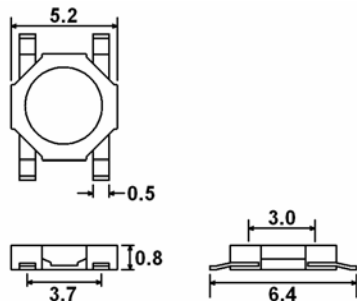
Actuator	Brass
Housing	4/6 Nylon
Cover	Stainless Steel
Contacts	Stainless Steel, Silver Plated
Terminals	Phosphor Bronze, Silver Plated

**ORDERING INFORMATION**

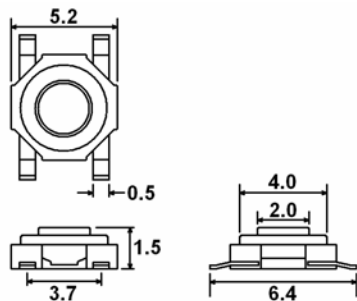
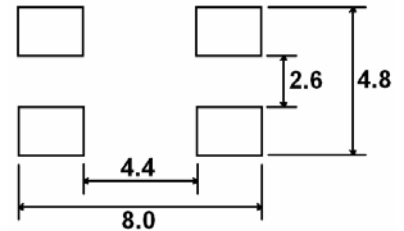
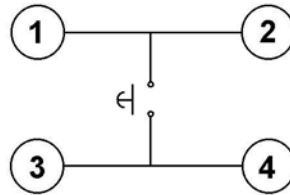
<b>1. Series:</b>	<b>CS1204</b>	<b>F160</b>
	CS1204	
	CS1204A	
<b>2. Actuation Force:</b>		
	F160 = 160gF	
	F260 = 260gF	

**DIMENSIONS**

**SCHEMATIC & PC LAYOUT**



**CS1204**



**CS1204A**

