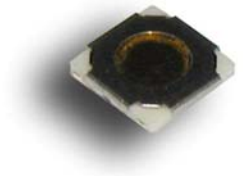


## SPECIFICATIONS

Electrical Ratings	50mA @ 50VDC
Electrical Life	500,000 cycles typical
Contact Resistance	< 50 mΩ initial
Actuation Force	160 +/- 50gF 260 +/- 50gF
Actuator Travel	.25 +/- .1mm
Dielectric Strength	250Vrms min
Insulation Resistance	> 100MΩ min
Operating Temperature	-40°C to 85°C
Storage Temperature	-40°C to 85°C



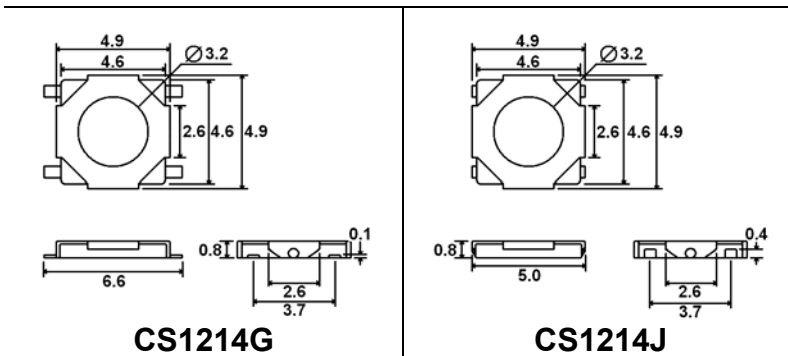
## MATERIALS ←RoHS COMPLIANT

Actuator	Brass
Housing	4/6 Nylon
Cover	Stainless Steel
Contacts	Stainless Steel, Silver Plated
Terminals	Brass, Silver Plated

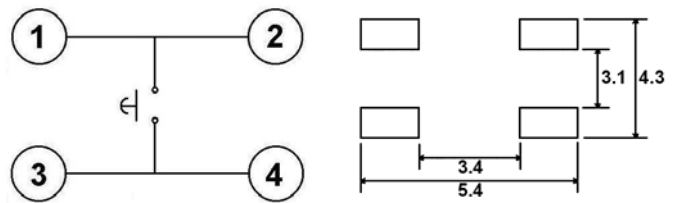
## ORDERING INFORMATION

<b>1. Series:</b>	<b>CS1214</b>	<b>J</b>	<b>F160</b>
	CS1214		
	CS1214E (Earth Ground terminal)		
<b>2. Actuator Option:</b>			
	Blank = Flat Actuator		
	A = Extended Actuator		
<b>3. Terminal Option:</b>			
	G = Gull Wing		
	J = J Lead		
<b>4. Actuation Force:</b>			
	F160 = 160gF		
	F260 = 260gF		

## DIMENSIONS

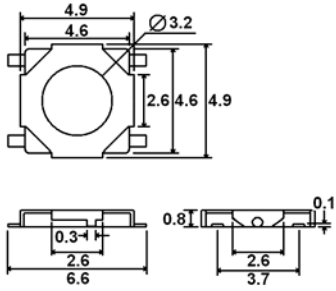
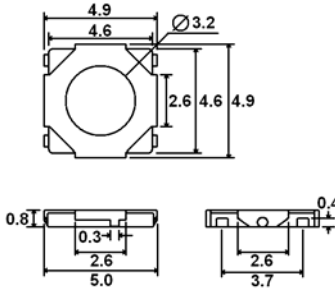
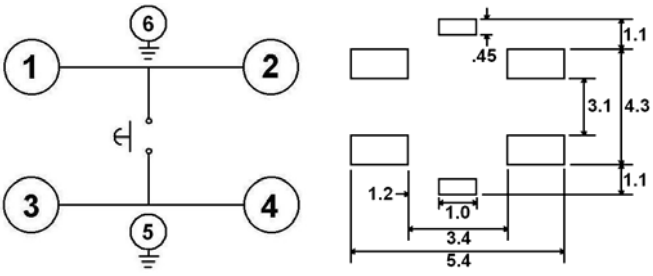
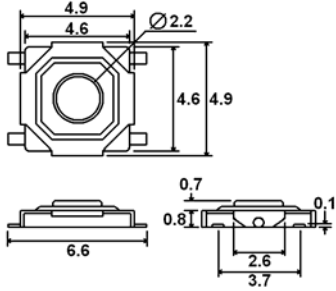
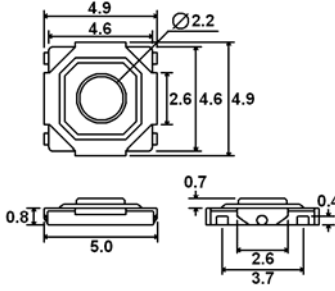
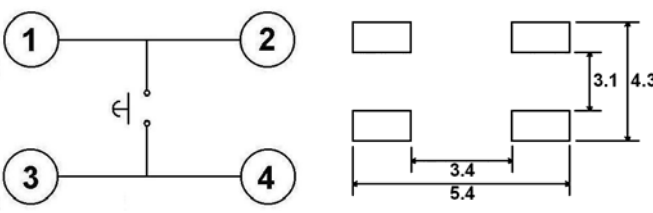
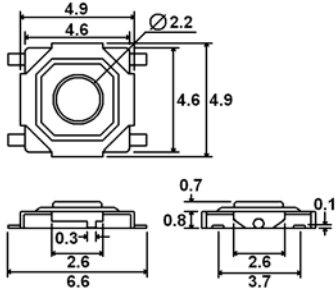
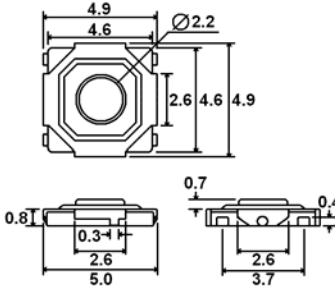


## SCHEMATIC & PC LAYOUTS



**DIMENSIONS**

**SCHEMATIC & PC LAYOUTS**

 <p>CS1214EG</p>	 <p>CS1214EJ</p>	
 <p>CS1214AG</p>	 <p>CS1214AJ</p>	
 <p>CS1214EAG</p>	 <p>CS1214EAJ</p>	