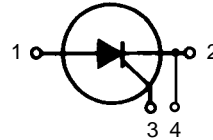


Phase Control Thyristor

CS 800

$I_{TRMS} = 1600 \text{ A}$
 $I_{TAVM} = 800 \text{ A}$
 $V_{RRM} = 1200 - 1600 \text{ V}$

V_{RSM}	V_{RRM}	Type
V_{DSM}	V_{DRM}	
V	V	
1200	1200	CS 800 - 12io1
1400	1400	CS 800 - 14io1
1600	1600	CS 800 - 16io1



Symbol	Test Conditions	Maximum Ratings		
I_{TRMS}	$T_C = 80^\circ\text{C}; 180^\circ \text{ sine}$	1600 A		
I_{TAVM}		800 A		
I_{TSM}	$T_{VJ} = 45^\circ\text{C};$ $V_R = 0$	$t = 10 \text{ ms (50 Hz), sine}$ $t = 8.3 \text{ ms (60 Hz), sine}$	15000 A 16000 A	
	$T_{VJ} = T_{VJM}$ $V_R = 0$	$t = 10 \text{ ms (50 Hz), sine}$ $t = 8.3 \text{ ms (60 Hz), sine}$	14000 A 15300 A	
	$f_i^2 dt$	$T_{VJ} = 45^\circ\text{C}$ $V_R = 0$	$t = 10 \text{ ms (50 Hz), sine}$	1125000 A^2s
			$t = 8.3 \text{ ms (60 Hz), sine}$	1062400 A^2s
$(di/dt)_{cr}$	$T_{VJ} = T_{VJM}$ $f = 5 \text{ Hz}, t_p = 200 \text{ ms}$ $V_D = 1/2 V_{DRM}$ $I_G = 2 \text{ A}$ $di_e/dt = 2 \text{ A}/\mu\text{s}$	repetitive, $I_T = 2500 \text{ A}$	320 $\text{A}/\mu\text{s}$	
$(dv/dt)_{cr}$	$T_{VJ} = T_{VJM};$ $R_{GK} = \infty; \text{ method 1 (linear voltage rise)}$	$V_{DR} = 2/3 V_{DRM}$	1000 $\text{V}/\mu\text{s}$	
P_{GM}	$T_{VJ} = T_{VJM}$ $I_T = I_{TAVM}$	$t_p = 30 \mu\text{s}$	120 W	
		$t_p = 500 \mu\text{s}$	60 W	
		$t_p = 10 \text{ ms}$	16 W	
V_{RGM}			5 V	
T_{VJ}			-40...+125 $^\circ\text{C}$	
T_{VJM}			125 $^\circ\text{C}$	
T_{stg}			-40...+ 50 $^\circ\text{C}$	
M_d	Mounting force		16.0 .. 19.0 kN	
Weight			210 g	

Features

- Thyristor for line frequency
- International standard package
- Long-term stability of blocking voltages
- Gate and auxiliary cathode pin connection
- Amplifying gate

Typical Applications

- DC Motor control
- Power converter
- AC power controller

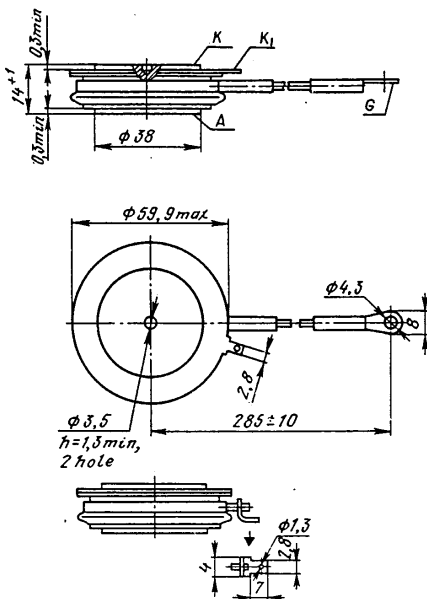
Data according to DIN/IEC 747-6
IXYS reserves the right to change limits, test conditions and dimensions

©1996 IXYS Corporation. All rights reserved.

IXYS Corporation
3540 Bassett Street, Santa Clara CA 95054
Phone: (408) 982-0700 Fax: 408-496-0670

IXYS Semiconductor GmbH
Edisonstr. 15, D-68623 Lampertheim, Germany
Phone: +49-6206-5030 Fax: +49-6206-503627

Symbol	Test Conditions	Characteristic Values
I_R, I_D	$T_{VJ} = T_{VJM}; V_R = V_{RRM}; V_D = V_{DRM}$	≤ 50 mA
V_T	$I_T = 3.14 I_{TAVM}; T_{VJ} = 25^\circ\text{C}$	≤ 1.7 V
V_{T0}	For power-loss calculations only ($T_{VJ} = 125^\circ\text{C}$)	0.95 V
r_T		0.33 m Ω
V_{GT}	$V_D = 12$ V; $T_{VJ} = 25^\circ\text{C}$	≤ 2.5 V
I_{GT}	$V_D = 12$ V; $T_{VJ} = 25^\circ\text{C}$	≤ 280 mA
V_{GD}	$T_{VJ} = T_{VJM}; V_D = 2/3 V_{DRM}$	≤ 0.25 V
I_L	$T_{VJ} = 25^\circ\text{C}; t_p = 10$ μs $I_G = 2$ A; $di_G/dt = 2$ A/ μs	≤ 1.0 A
I_H	$T_{VJ} = 25^\circ\text{C}; V_D = 12$ V; $R_{GK} = \infty$	≤ 0.3 A
t_{gd}	$T_{VJ} = 25^\circ\text{C}; V_D = 500$ V $I_G = 2$ A; $di_G/dt = 2$ A/ μs	≤ 2.5 μs
t_q	$T_{VJ} = T_{VJM}; I_T = 800$ A; $t_p = 200$ μs ; $di/dt = -10$ A/ μs typ. $V_R = 100$ V; $dv/dt = 50$ V/ μs ; $V_D = 2/3 V_{DRM}$	150 μs
R_{thJC}		0.035 K/W

Dimensions in mm (1 mm = 0.0394")


IXYS reserves the right to change limits, test conditions, and dimensions.