

## FEATURES

- ❑ Multi-standard 32-bit Audio Decoding plus Post Processing
- ❑ Framework™ Third-Party Applications Library
  - Dolby Digital® EX, Dolby® Pro Logic® IIz, Dolby Headphone® 2, Dolby® Virtual Speaker® 2
  - DTS-ES 96/24™, DTS-ES™ Discrete 6.1, DTS-ES™ Matrix 6.1, DTS Neo:6®
  - DSD® to Linear PCM Decimation Filtering
  - MPEG-2 AAC™ LC 5.1
  - SRS® CS2®, SRS TruVolume™, SRS TruSurround HD4™
  - THX® Ultra2™, THX® Re-EQ™
  - Audyssey 2EQ™
- ❑ Framework™ Cirrus Logic Applications Library
  - 2:1/4:1 Decimator, Cirrus Intelligent Room Calibration 2 (IRC2)
  - Cirrus Original Multi-Channel Surround 2 (COMS2)
  - Crossbar Mixer, Signal Generator
  - Advanced Post-Processor including: 7.1 Bass Manager, Tone Control, 11-Band Parametric EQ, Delay, 1:2/1:4 Upsampler
- ❑ Up to 12 Channels of 32-bit Serial Audio Input
- ❑ 16 Ch x 32-bit PCM Out with either two or one 192 kHz S/PDIF Tx
- ❑ Two SPI™/I<sup>2</sup>C™ Ports and one Parallel Port\*
- ❑ Customer Software Security Keys

\* 144-Pin Package Only

### Audio Decoder DSP Family with Dual 32-bit DSP Engine Technology

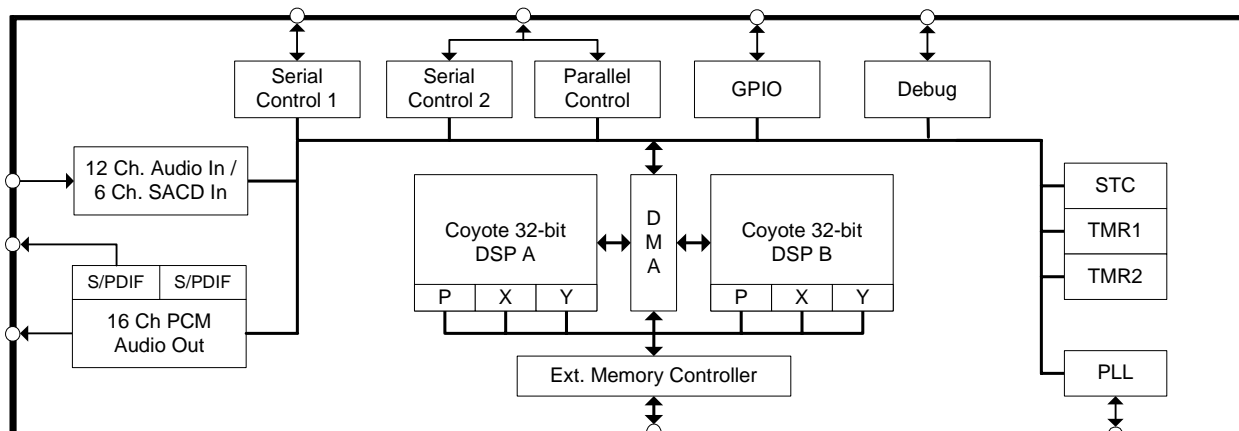
- ❑ Large On-chip X, Y, and Program RAM & ROM
- ❑ SDRAM and Serial Flash Memory Support

The CS4953xx DSP family are the enhanced versions of the CS495xx DSP family with higher overall performance and lower system cost. The CS4953xx includes all mainstream audio processing codes in on-chip ROM. This saves external memory for code storage. In addition, the intensive decoding tasks of Dolby Digital® Surround EX®, AAC multi-channel, DTS-ES 96/24, THX Ultra2 Cinema and Dolby Headphone can be accomplished without the expense of external SDRAM memory.

With larger internal memories than the CS495xx, the CS49531x is designed to support up to 150 ms per channel of lip-sync delay. With 150 MHz internal clock speed, the CS4953xx supports the most demanding post-processing requirements. It is also designed for easy upgrading. Customers currently using the CS495xx can upgrade to the CS4953xx with minor hardware and software changes.

### Ordering Information

See [page 28](#) for ordering information.



### Preliminary Product Information

This document contains information for a new product. Cirrus Logic reserves the right to modify this product without notice.

## Table of Contents

<b>1. Documentation Strategy .....</b>	<b>4</b>
<b>2. Overview .....</b>	<b>4</b>
2.1 Migrating from CS4953x3 to CS4953x4 .....	5
2.2 Licensing .....	5
<b>3. Code Overlays .....</b>	<b>5</b>
<b>4. Hardware Functional Description .....</b>	<b>7</b>
4.1 Coyote 32-bit DSP Core .....	7
4.1.1 DSP Memory .....	7
4.1.2 DMA Controller .....	7
4.2 On-chip DSP Peripherals .....	8
4.2.1 Digital Audio Input Port (DAI) .....	8
4.2.2 Digital Audio Output Port (DAO) .....	8
4.2.3 Serial Control Port 1 & 2 (I <sup>2</sup> C™ or SP <sup>I</sup> ™) .....	8
4.2.4 Parallel Control Port .....	8
4.2.5 External Memory Interface .....	8
4.2.6 GPIO .....	8
4.2.7 PLL-based Clock Generator .....	8
4.3 DSP I/O Description .....	8
4.3.1 Multiplexed Pins .....	8
4.3.2 Termination Requirements .....	9
4.3.3 Pads .....	9
4.4 Application Code Security .....	9
<b>5. Characteristics and Specifications .....</b>	<b>10</b>
5.1 Absolute Maximum Ratings .....	10
5.2 Recommended Operating Conditions .....	10
5.3 Digital DC Characteristics .....	10
5.4 Power Supply Characteristics .....	11
5.5 Thermal Data (144-pin LQFP) .....	11
5.6 Thermal Data (128-pin LQFP) .....	11
5.7 Switching Characteristics— RESET .....	11
5.8 Switching Characteristics — XTI .....	12
5.9 Switching Characteristics — Internal Clock .....	13
5.10 Switching Characteristics — Serial Control Port - SPI Slave Mode. ....	14
5.11 Switching Characteristics — Serial Control Port - SPI Master Mode .....	15
5.12 Switching Characteristics — Serial Control Port - I <sup>2</sup> C Slave Mode .....	16
5.13 Switching Characteristics — Serial Control Port - I <sup>2</sup> C Master Mode .....	17
5.14 Switching Characteristics — Parallel Control Port - Intel® Slave Mode .....	18
5.15 Switching Characteristics — Parallel Control Port - Motorola® Slave Mode .....	20
5.16 Switching Characteristics — Digital Audio Slave Input Port .....	22
5.17 Switching Characteristics — DSD® Serial Input Port .....	23
5.18 Switching Characteristics — Digital Audio Output Port .....	24
5.19 Switching Characteristics — SDRAM Interface .....	25
<b>6. Ordering Information .....</b>	<b>28</b>
<b>7. Environmental, Manufacturing, and Handling Information .....</b>	<b>29</b>
<b>8. Device Pinout Diagrams .....</b>	<b>30</b>
8.1 128-pin LQFP Pinout Diagrams (CS495303/CS495313) .....	30
8.2 128-pin LQFP Pinout Diagrams (CS495304/CS495314) .....	31
8.3 144-pin LQFP Pinout Diagrams (CS495313) .....	32

<b>9. Package Mechanical Drawings</b> .....	<b>33</b>
9.1 128-pin LQFP Package Drawing .....	33
9.2 144-pin LQFP Package Drawing .....	34
<b>10. Revision History</b> .....	<b>35</b>

## List of Figures

Figure 1. $\overline{\text{RESET}}$ Timing .....	12
Figure 2. XTI Timing .....	12
Figure 3. Serial Control Port - SPI Slave Mode Timing .....	14
Figure 4. Serial Control Port - SPI Master Mode Timing .....	15
Figure 5. Serial Control Port - I <sup>2</sup> C Slave Mode Timing .....	16
Figure 6. Serial Control Port - I <sup>2</sup> C Master Mode Timing .....	17
Figure 7. Parallel Control Port - Intel <sup>®</sup> Slave Mode Read Cycle .....	19
Figure 8. Parallel Control Port - Intel Slave Mode Write Cycle .....	19
Figure 9. Parallel Control Port - Motorola <sup>®</sup> Slave Mode Read Cycle Timing .....	21
Figure 10. Parallel Control Port - Motorola Slave Mode Write Cycle Timing .....	21
Figure 11. Digital Audio Input (DAI) Port Timing Diagram .....	22
Figure 12. DSD <sup>®</sup> Serial Audio Input Timing .....	23
Figure 13. Digital Audio Port Output Timing Master Mode .....	24
Figure 14. Digital Audio Output Timing, Slave Mode (Relationship LRCLK to SCLK) .....	25
Figure 15. External Memory Interface - SDRAM Burst Read Cycle .....	26
Figure 16. External Memory Interface - SDRAM Burst Write Cycle .....	26
Figure 17. External Memory Interface - SDRAM Auto Refresh Cycle .....	27
Figure 18. External Memory Interface - SDRAM Load Mode Register Cycle .....	27
Figure 19. 128-pin LQFP Pin-Out Drawing (CS495303/CS495313) .....	30
Figure 20. 128-pin LQFP Pin-Out Drawing (CS495304/CS495314) .....	31
Figure 21. 144-pin LQFP Pin-Out Drawing (CS495313) .....	32
Figure 22. 128-pin LQFP Package Drawing .....	33
Figure 23. 144-pin LQFP Package Drawing .....	34

## List of Tables

Table 1. CS4953xx Related Documentation .....	4
Table 2. Device and Firmware Selection Guide .....	6
Table 3. CS49530x DSP Memory Sizes .....	7
Table 4. CS49531x DSP Memory Sizes .....	7
Table 5. Ordering Information .....	28
Table 6. Environmental, Manufacturing, and Handling Information .....	29
Table 7. 128-pin LQFP Package Characteristics .....	33
Table 8. 144-pin LQFP Package Characteristics .....	34

## 1. Documentation Strategy

The *CS4953xx Data Sheet* describes the CS4953xx family of multichannel audio decoders. This document should be used in conjunction with the following documents when evaluating or designing a system around the CS4953xx family of processors.

**Table 1. CS4953xx Related Documentation**

Document Name	Description
<i>CS4953xx Data Sheet</i>	This document, which contains the hardware specifications for the CS4953xx family
<i>CS4953xx Hardware User's Manual</i>	Includes detailed system design information for CS4953x3 product family, including Typical Connection Diagrams, Boot-Procedures, Pin Descriptions, etc.
<i>CS4953x4/CS4970x4 System Designer's Guide</i>	A new consolidated documentation set for the CS4953x4 product family that includes: <ul style="list-style-type: none"> <li>Detailed system design information including Typical Connection Diagrams, Boot-Procedures, Pin Descriptions, Etc. Also describes use of DSP Condenser tool</li> <li>Detailed firmware design information including signal processing flow diagrams and control API information</li> </ul>
<i>AN288 - CS4953xx/CS497xxx Firmware User's Manual</i>	Includes detailed firmware design information including signal processing flow diagrams and control API information

The scope of the *CS4953xx Data Sheet* is primarily the hardware specifications of the CS4953xx family of devices. This includes hardware functionality, characteristic data, pinout, and packaging information.

The intended audience for the *CS4953xx Data Sheet* is the system PCB designer, mcu programmer, and the quality control engineer.

## 2. Overview

The CS4953xx DSP Family, together with Cirrus Logic's comprehensive library of audio processing algorithms enables the development of next-generation audio solutions. There are two classes of devices in the CS4953xx DSP family:

- CS4953x3 Class (ROM ID 3), comprising the CS495303 and the CS495313
- CS4953x4 Class (ROM ID 4), comprising the CS495304 and the CS495314

The primary difference between the CS4953x3 and the CS4953x4 classes is the support of the DSP Condenser application on the CS4953x4 class of products only. DSP Condenser is a tool set that enables the DSP to automatically boot and configure itself from an external Serial FLASH, thus reducing the traditional heavy loading on the part of the system microcontroller. Because of the design time savings, enhanced tools support, and better performance associated with the CS4953x4 product set, Cirrus Logic recommends that the CS4953x4 family be used for all new designs. More information on DSP Condenser can be found in the *CS4953x4/CS497xx System Designer's Guide*.

Within each ROM ID class (3, 4), the breakdown into 2 devices per class (CS49530x, CS49531x) is based on the differences between the internal memory size and DSP Firmware supported. Essentially, the audio processing features of the CS49531x are a superset of audio features available in the CS49530x. [Table 2, "Device and Firmware Selection Guide," on page 6](#) provides details of the differences between the two product classes.

Note that the CS495303/04/14 is available in a 128-pin QFP package and the CS495313 is available in either a 128-pin or 144-pin QFP package.

## 2.1 Migrating from CS4953x3 to CS4953x4

- The recommended way to boot the DSP for normal operation is “master boot”. Refer to Chapter 1 of the *CS4953x4/CS4970x4 System Designer’s Guide*. CS4953x4 will support slave boot mode as well (used for programming the serial flash with the DSP code, through the SCP2 port).
- CS4953x4 DSPs are only available in 128 pin package.
- The serial flash chip select pin used is pin 14 (GPIO0) for Master Boot. Cirrus Logic recommends that at least an 8-Mbit serial Flash device be used. Refer to *CS4953x4/CS4970x4 System Designer’s Guide* for a list of Flash types that are currently supported
- CS4953x4 DSP family supports DSP Condenser and DSP Manager API for run-time control/host communication. Please refer to *CS4953x4/CS4970x4 System Designer’s Guide* for details.

## 2.2 Licensing

Licenses are required for all of the 3rd party audio decoding/processing algorithms listed below, including the application notes. Please contact your local Cirrus Sales representative for more information.

## 3. Code Overlays

The suite of software available for the CS4953xx family consists of an operating system (OS) and a library of overlays. The overlays have been divided into three main groups called Decoders, Matrix-processors, and Post-processors. All software components are defined below:

1. *OS/Kernel* - Encompasses all non-audio processing tasks, including loading data from external memory, processing host messages, calling audio-processing subroutines, error concealment, etc.
2. *Decoders* - Any Module that initially writes data into the audio I/O buffers, e.g. AC-3™, DTS, PCM, etc. All the decoding/processing algorithms listed below require delivery of PCM or IEC61937-packed, compressed data via I<sup>2</sup>S- or LJ-formatted digital audio to the CS4953xx.
3. *Matrix-processors* - Any module that processes audio I/O buffer PCM data in-place before the Post-processors. Generally speaking, these modules alter the number of valid channels in the audio I/O buffer through processes like Virtualization ( $n \Rightarrow 2$  channels) or Matrix Decoding ( $2 \Rightarrow n$  channels). Examples are Dolby ProLogic IIx and DTS Neo:6.
4. *Post-processors* - Any module that processes audio I/O buffer PCM data in-place after the Matrix-Processors. Examples are Bass Management, Audio Manager, Tone Control, EQ, Delay, Customer-specific Effects, Dolby Headphone/Virtual Speaker, etc.

The overlay structure reduces the time required to reconfigure the DSP when a processing change is requested. Each overlay can be reloaded independently without disturbing the other overlays. For example, when a new decoder is selected, the OS, matrix-, and post-processors do not need to be reloaded — only the new decoder (the same is true for the other overlays).

[Table 2](#) below lists the firmware available based on device selection. Please refer AN288 *CS4953xx/CS497xxx Firmware User’s Manual* for the latest listing of application codes and Cirrus Framework™ modules available.

Table 2. Device and Firmware Selection Guide<sup>1</sup>

Device	Pre-Process	Decode Processor A	Matrix-processor A	Matrix-processor B	Post-processor B
<b>CS49530x</b> 300 MIPS	N/A	Stereo PCM Multi-Channel PCM (2:1 Down-sampling Option) Dolby Digital AAC MP3 HDCD	Dolby PLIIx Circle Surround <sup>®</sup> II (Stereo In) Cirrus Original Multi-Channel Surround (Effects / Reverb Processor) Down-mix (Simultaneous Process)	Dolby Headphone Dolby Virtual Speaker SRS TruSurround XT THX Select	APP (Advanced Post-processing) –Tone Control –Re-EQ –PEQ (up to 11 Bands) –Delay –7.1 Bass Manager –Audio Manager  1:2 Up-sampling
<b>CS49531x</b> (Superset of CS49530x) 300 MIPS	Lip Sync Delay	Same as CS49530x + DTS DTS-ES DTS 96/24	Same as CS49530x + DTS Neo:6 (Stereo In)	Same as CS49530x + THX Ultra2	

1. This feature list is a snapshot of features available as of the publication date of this revision of the data sheet. More features may now be available. Check with your Cirrus Logic Field Application Engineer (FAE) to obtain the latest feature list for the CS49530x and CS49531x products.

## 4. Hardware Functional Description

### 4.1 Coyote 32-bit DSP Core

The CS4953xx is a dual-core DSP with separate X and Y data and P code memory spaces. Each core is a high-performance, 32-bit, user-programmable, fixed-point DSP that is capable of performing two multiply accumulate (MAC) operations per clock cycle. Each core has eight 72-bit accumulators, four X- and four Y-data registers, and 12 index registers.

Both DSP cores are coupled to a flexible DMA engine. The DMA engine can move data between peripherals such as the digital audio input (DAI) and digital audio output (DAO), external memory, or any DSP core memory, all without the intervention of the DSP. The DMA engine offloads data move instructions from the DSP core, leaving more MIPS available for signal processing instructions.

CS4953xx functionality is controlled by application codes that are stored in on-board ROM or downloaded to the CS4953xx from a host mcu or external FLASH/EEPROM. Users can choose to use standard audio decoder and post-processor modules which are available from Cirrus Logic.

The CS4953xx is suitable for Audio Decoder, Audio Post-processor, Audio Encoder, DVD Audio/Video Player, and Digital Broadcast Decoder applications.

#### 4.1.1 DSP Memory

Each DSP core has its own on-chip data and program RAM and ROM and does not require external memory for any of today's popular audio algorithms including Dolby Digital Surround EX, AAC Multichannel, DTS-ES 96/24, and THX Ultra2.

The memory maps for the DSPs are as follows. All memory sizes are composed of 32-bit words.

**Table 3. CS49530x DSP Memory Sizes**

Memory Type	DSP A	DSP B
X	16k SRAM, 16k ROM	10k SRAM, 8k ROM
Y	16k SRAM, 32k ROM	16k SRAM, 16k ROM
P	8k SRAM, 32k ROM	8k SRAM, 24k ROM

**Table 4. CS49531x DSP Memory Sizes**

Memory Type	DSP A	DSP B
X	16k SRAM, 16k ROM	10k SRAM, 8k ROM
Y	24k SRAM, 32k ROM	16k SRAM, 16k ROM
P	8k SRAM, 32k ROM	8k SRAM, 24k ROM

#### 4.1.2 DMA Controller

The powerful 12-channel DMA controller can move data between 8 on-chip resources. Each resource has its own arbiter: X, Y, and P RAM/ROMs on DSP A; X, Y, and P RAM/ROMs on DSP B; external memory; and the peripheral bus. Modulo and linear addressing modes are supported, with flexible start address and increment controls. The service interval for each DMA channel as well as up to 6 interrupt events, is programmable.



---

## 4.2 On-chip DSP Peripherals

### 4.2.1 Digital Audio Input Port (DAI)

The 12-channel (6 line) DAI port supports a wide variety of data input formats. The port is capable of accepting PCM, IEC61937, or DSD. Up to 32-bit word lengths are supported. Up to 6 channels of DSD are supported and internally converted to PCM before processing.

The port has two independent slave-only clock domains. Each data input can be independently assigned to a clock domain. The sample rate of the input clock domains can be determined automatically by the DSP, which off-loads the task of monitoring the S/PDIF receiver from the host. A time-stamping feature allows the input data to be sample-rate converted via software.

### 4.2.2 Digital Audio Output Port (DAO)

There are two DAO ports. Each port can output 8 channels of up to 32-bit PCM data. The port supports data rates from 32 kHz to 192 kHz. Each port can be configured as an independent clock domain in slave mode, or the ratio of the two clocks can be set to even multiples of each other in master mode. The two ports can also be ganged together into a single clock domain. Each port has one serial audio pin that can be configured as a 192 kHz S/PDIF transmitter (data with embedded clock on a single line).

Note: Only one S/PDIF transmitter pin is available in the 128-pin package.

### 4.2.3 Serial Control Port 1 & 2 (I<sup>2</sup>C™ or SPI™)

There are two on-chip serial control ports that are capable of operating as master or slave in either I<sup>2</sup>C or SPI modes. SCP1 defaults to slave operation. It is dedicated for external host-control and supports an external clock up to 50 MHz in SPI mode. It is present in both the 144- and 128-pin packages. This high clock speed enables very fast code download, control or data delivery. SCP2 defaults to master mode and is dedicated for booting from external serial Flash memory or for audio sub-system control. SCP2 does not include the SCP2\_BSY# pin in the 128-pin package.

### 4.2.4 Parallel Control Port

The CS4953xx parallel port supports both Motorola® and Intel® interfaces. It can be used for both control and data delivery. The parallel port pins are multiplexed with serial control port 2 and are available in the 144-pin package.

### 4.2.5 External Memory Interface

The external memory interface controller supports up to 128 Mbits of SDRAM, using a 16-bit data bus.

### 4.2.6 GPIO

Many of the CS4953xx peripheral pins are multiplexed with GPIO. Each GPIO can be configured as an output, an input, or an input with interrupt. Each input-pin interrupt can be configured as rising edge, falling edge, active-low, or active-high.

### 4.2.7 PLL-based Clock Generator

The low-jitter PLL generates integer or fractional multiples of a reference frequency which are used to clock the DSP core and peripherals. Through a second PLL divider chain, a dependent clock domain can be output on the DAO port for driving audio converters. The CS4953xx defaults to running from the external reference frequency and can be switched to use the PLL output after overlays have been loaded and configured, either through master boot from an external serial FLASH or through host control. A built-in crystal oscillator circuit with a buffered output is provided. The buffered output frequency ratio is selectable between 1:1 (default) or 2:1.

## 4.3 DSP I/O Description

### 4.3.1 Multiplexed Pins

Many of the CS4953xx pins are multi-functional. For details on pin functionality please refer to the *CS4953xx Hardware User's Manual*.



---

#### 4.3.2 Termination Requirements

Open-drain pins on the CS4953xx must be pulled high for proper operation. Please refer to the *CS4953xx Hardware User's Manual* to identify which pins are open-drain and what value of pull-up resistor is required for proper operation.

Mode select pins on the CS4953xx are used to select the boot mode upon the rising edge of reset. A detailed explanation of termination requirements for each communication mode select pin can be found in the *CS4953xx Hardware User's Manual*.

#### 4.3.3 Pads

The CS4953xx I/O operates from the 3.3 V supply and is 5V tolerant.

### 4.4 Application Code Security

The external program code may be encrypted by the programmer to protect any intellectual property it may contain. A secret, customer-specific key is used to encrypt the program code that is to be stored external to the device.

## 5. Characteristics and Specifications

**Note:** All data sheet minimum and maximum timing parameters are guaranteed over the rated voltage and temperature. All data sheet typical parameters are measured under the following conditions:  
T = 25 °C, C<sub>L</sub> = 20 pF, VDD = VDDA = 1.8 V, VDDIO = 3.3 V, GNDD = GNDIO = GNDA = 0 V.

### 5.1 Absolute Maximum Ratings

(GNDD = GNDIO = GNDA = 0 V; all voltages with respect to 0 V)

Parameter	Symbol	Min	Max	Unit
DC power supplies:				
Core supply	VDD	-0.3	2.0	V
PLL supply	VDDA	-0.3	3.6	V
I/O supply	VDDIO	-0.3	3.6	V
VDDA – VDDIO		-	0.3	V
Input pin current, any pin except supplies	I <sub>in</sub>	-	+/- 10	mA
Input voltage on PLL_REF_RES	V <sub>filt</sub>	-0.3	3.6	V
Input voltage on I/O pins	V <sub>inio</sub>	-0.3	5.0	V
Storage temperature	T <sub>stg</sub>	-65	150	°C

**CAUTION:** Operation at or beyond these limits may result in permanent damage to the device. Normal operation is not guaranteed at these extremes.

### 5.2 Recommended Operating Conditions

(GNDD = GNDIO = GNDA = 0 V; all voltages with respect to 0 V)

Parameter	Symbol	Min	Typ	Max	Unit
DC power supplies:					
Core supply	VDD	1.71	1.8	1.89	V
PLL supply	VDDA	3.13	3.3	3.46	V
I/O supply	VDDIO	3.13	3.3	3.46	V
VDDA – VDDIO			0		V
Ambient operating temperature	T <sub>A</sub>				°C
Commercial Grade (CQZ/CVZ)		0	+25	+ 70	
Automotive Grade (DQZ/DVZ)		- 40	+25	+ 85	

**Note:** It is recommended that the 3.3 V IO supply come up ahead of or simultaneously with the 1.8 V core supply.

### 5.3 Digital DC Characteristics

(Measurements performed under static conditions.)

Parameter	Symbol	Min	Typ	Max	Unit
High-level input voltage	V <sub>IH</sub>	2.0	-	-	V
Low-level input voltage, except XTI	V <sub>IL</sub>	-	-	0.8	V
Low-level input voltage, XTI	V <sub>ILXTI</sub>	-	-	0.6	V
Input Hysteresis	V <sub>hys</sub>		0.4		V
High-level output voltage (I <sub>O</sub> = -4mA), except XTI, SDRAM pins	V <sub>OH</sub>	VDDIO * 0.9	-	-	V
Low-level output voltage (I <sub>O</sub> = 4mA), except XTI, SDRAM pins	V <sub>OL</sub>	-	-	VDDIO * 0.1	V
SDRAM High-level output voltage (I <sub>O</sub> = -8mA)	V <sub>OH</sub>	VDDIO * 0.9	-	-	V
SDRAM Low-level output voltage (I <sub>O</sub> = 8mA)	V <sub>OL</sub>	-	-	VDDIO * 0.1	V
Input leakage current (all digital pins with internal pull-up resistors disabled)	I <sub>IN</sub>	-	-	5	µA

Parameter	Symbol	Min	Typ	Max	Unit
Input leakage current (all digital pins with internal pull-up resistors enabled, and XTI)	$I_{IN-PU}$	-	-	70	$\mu A$

## 5.4 Power Supply Characteristics

(measurements performed under operating conditions)

Parameter	Min	Typ	Max	Unit
Power supply current:				
Core and I/O operating: VDD <sup>1</sup>	-	500	-	mA
PLL operating: VDDA	-	3.5	-	mA
With external memory and most ports operating: VDDIO	-	120	-	mA

1. Dependent on application firmware and DSP clock speed.

## 5.5 Thermal Data (144-pin LQFP)

Parameter	Symbol	Min	Typ	Max	Unit
Thermal Resistance (Junction to Ambient)	$\theta_{ja}$				$^{\circ}C / Watt$
Two-layer Board <sup>1</sup>		-	48	-	
Four-layer Board <sup>2</sup>		-	40	-	
Thermal Resistance (Junction to Top of Package)	$\psi_{jt}$				$^{\circ}C / Watt$
Two-layer Board <sup>1</sup>		-	.39	-	
Four-layer Board <sup>2</sup>		-	.33	-	

## 5.6 Thermal Data (128-pin LQFP)

Parameter	Symbol	Min	Typ	Max	Unit
Thermal Resistance (Junction to Ambient)	$\theta_{ja}$				$^{\circ}C / Watt$
Two-layer Board <sup>1</sup>		-	53	-	
Four-layer Board <sup>2</sup>		-	44	-	
Thermal Resistance (Junction to Top of Package)	$\psi_{jt}$				$^{\circ}C / Watt$
Two-layer Board <sup>1</sup>		-	.45	-	
Four-layer Board <sup>2</sup>		-	.39	-	

- Notes:**
- Two-layer board is specified as a 76 mm X 114 mm, 1.6 mm thick FR-4 material with 1-oz copper covering 20 % of the top & bottom layers.
  - Four-layer board is specified as a 76 mm X 114 mm, 1.6 mm thick FR-4 material with 1-oz copper covering 20 % of the top & bottom layers and 0.5-oz copper covering 90 % of the internal power plane and ground plane layers.
  - To calculate the die temperature for a given power dissipation

$$T_j = \text{Ambient Temperature} + [ (\text{Power Dissipation in Watts}) * \theta_{ja} ]$$

- To calculate the case temperature for a given power dissipation

$$T_c = T_j - [ (\text{Power Dissipation in Watts}) * \psi_{jt} ]$$

## 5.7 Switching Characteristics— $\overline{\text{RESET}}$

Parameter	Symbol	Min	Max	Unit
$\overline{\text{RESET}}$ minimum pulse width low	$T_{rstl}$	1	-	$\mu s$
All bidirectional pins high-Z after $\overline{\text{RESET}}$ low	$T_{rst2z}$	-	100	ns
Configuration pins setup before $\overline{\text{RESET}}$ high	$T_{rstsu}$	50	-	ns

Parameter	Symbol	Min	Max	Unit
Configuration pins hold after RESET high	$T_{rsthd}$	20	-	ns

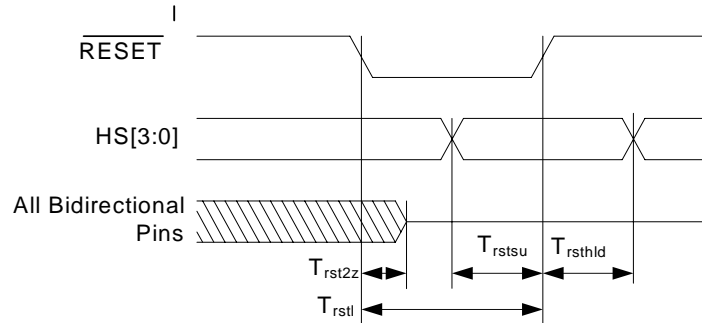


Figure 1. RESET Timing

### 5.8 Switching Characteristics — XTI

Parameter	Symbol	Min	Max	Unit
External Crystal operating frequency <sup>1</sup>	$F_{xtal}$	12.288	24.576	MHz
XTI period	$T_{clki}$	41	81.4	ns
XTI high time	$T_{clkih}$	16.4	-	ns
XTI low time	$T_{clkil}$	16.4	-	ns
External Crystal Load Capacitance (parallel resonant) <sup>2</sup>	$C_L$	10	18	pF
External Crystal Equivalent Series Resistance	ESR		50	$\Omega$

1. Part characterized with the following crystal frequency values: 12.288 and 24.576
2.  $C_L$  refers to the total load capacitance as specified by the crystal manufacturer. Crystals which require a  $C_L$  outside this range should be avoided. The crystal oscillator circuit design should follow the crystal manufacturer's recommendation for load capacitor selection.

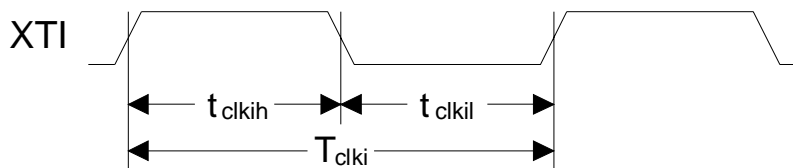


Figure 2. XTI Timing

## 5.9 Switching Characteristics — Internal Clock

Parameter	Symbol	Min	Max	Unit	
Internal DCLK frequency <sup>1</sup>	$F_{\text{dclk}}$	-		MHz	
		CS49530x-CVZ	$F_{\text{xtal}}$		150
		CS49531x-CQZ	$F_{\text{xtal}}$		150
		CS49531x-CVZ	$F_{\text{xtal}}$		150
		CS49530x-DVZ	$F_{\text{xtal}}$		TBD
CS49531x-DVZ	$F_{\text{xtal}}$	TBD			
Internal DCLK period <sup>1</sup>	DCLKP	-		ns	
		CS49530x-CVZ	6.7		$1/F_{\text{xtal}}$
		CS49531x-CQZ	6.7		$1/F_{\text{xtal}}$
		CS49531x-CVZ	6.7		$1/F_{\text{xtal}}$
		CS49530x-DVZ	TBD		$1/F_{\text{xtal}}$
CS49531x-DVZ	TBD	$1/F_{\text{xtal}}$			

1. After initial power-on reset,  $F_{\text{dclk}} = F_{\text{xtal}}$ . After initial kickstart commands, the PLL is locked to max  $F_{\text{dclk}}$  and remains locked until the next power-on reset.

### 5.10 Switching Characteristics — Serial Control Port - SPI Slave Mode.

Parameter	Symbol	Min	Typical	Max	Units
SCP_CLK frequency <sup>1</sup>	$f_{spisck}$	-		25	MHz
SCP_CS falling to SCP_CLK rising	$t_{spicss}$	24		-	ns
SCP_CLK low time	$t_{spickl}$	20		-	ns
SCP_CLK high time	$t_{spickh}$	20		-	ns
Setup time SCP_MOSI input	$t_{spidsu}$	5		-	ns
Hold time SCP_MOSI input	$t_{spidh}$	5		-	ns
SCP_CLK low to SCP_MISO output valid	$t_{spidov}$	-		11	ns
SCP_CLK falling to $\overline{\text{SCP\_IRQ}}$ rising	$t_{spiirqh}$	-		20	ns
$\overline{\text{SCP\_CS}}$ rising to $\overline{\text{SCP\_IRQ}}$ falling	$t_{spiirql}$	0			ns
SCP_CLK low to $\overline{\text{SCP\_CS}}$ rising	$t_{spicsh}$	24		-	ns
$\overline{\text{SCP\_CS}}$ rising to SCP_MISO output high-Z	$t_{spicsdz}$	-	20		ns
SCP_CLK rising to $\overline{\text{SCP\_BSY}}$ falling	$t_{spibsyf}$	-	$3 \cdot \text{DCLKP} + 20$		ns

1. The specification  $f_{spisck}$  indicates the maximum speed of the hardware. The system designer should be aware that the actual maximum speed of the communication port may be limited by the firmware application. Flow control using the  $\overline{\text{SCP\_BSY}}$  pin should be implemented to prevent overflow of the input data buffer. At boot the maximum speed is  $F_{xtal}/3$ .

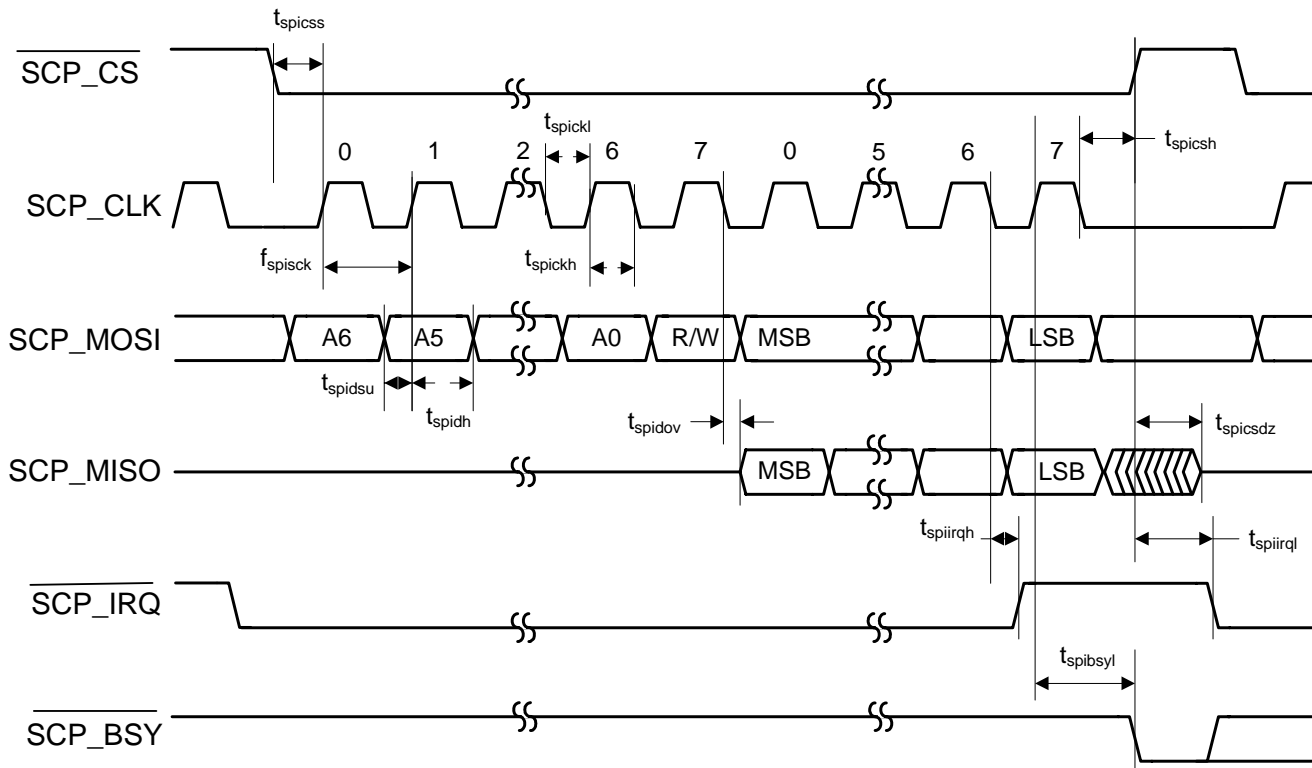


Figure 3. Serial Control Port - SPI Slave Mode Timing

## 5.11 Switching Characteristics — Serial Control Port - SPI Master Mode

Parameter	Symbol	Min	Typical	Max	Units
SCP_CLK frequency <sup>1,2</sup>	$f_{\text{spisck}}$	-		$F_{\text{xtal}}/2$	MHz
SCP_CS falling to SCP_CLK rising <sup>3</sup>	$t_{\text{spicss}}$	-	$11 * \text{DCLKP} + (\text{SCP\_CLK PERIOD})/2$	-	ns
SCP_CLK low time	$t_{\text{spickl}}$	18		-	ns
SCP_CLK high time	$t_{\text{spickh}}$	18		-	ns
Setup time SCP_MISO input	$t_{\text{spidsu}}$	11		-	ns
Hold time SCP_MISO input	$t_{\text{spidh}}$	5		-	ns
SCP_CLK low to SCP_MOSI output valid	$t_{\text{spidov}}$	-		11	ns
SCP_CLK low to SCP_CS falling	$t_{\text{spicsl}}$	7		-	ns
SCP_CLK low to SCP_CS rising	$t_{\text{spicsh}}$	-	$11 * \text{DCLKP} + (\text{SCP\_CLK PERIOD})/2$	-	ns
Bus free time between active SCP_CS	$t_{\text{spicsx}}$		$3 * \text{DCLKP}$	-	ns
SCP_CLK falling to SCP_MOSI output high-Z	$t_{\text{spidz}}$	-		20	ns

1. The specification  $f_{\text{spisck}}$  indicates the maximum speed of the hardware. The system designer should be aware that the actual maximum speed of the communication port may be limited by the firmware application.
2. See [Section 5.8](#).
3. SCP\_CLK PERIOD refers to the period of SCP\_CLK as being used in a given application. It does not refer to a tested parameter

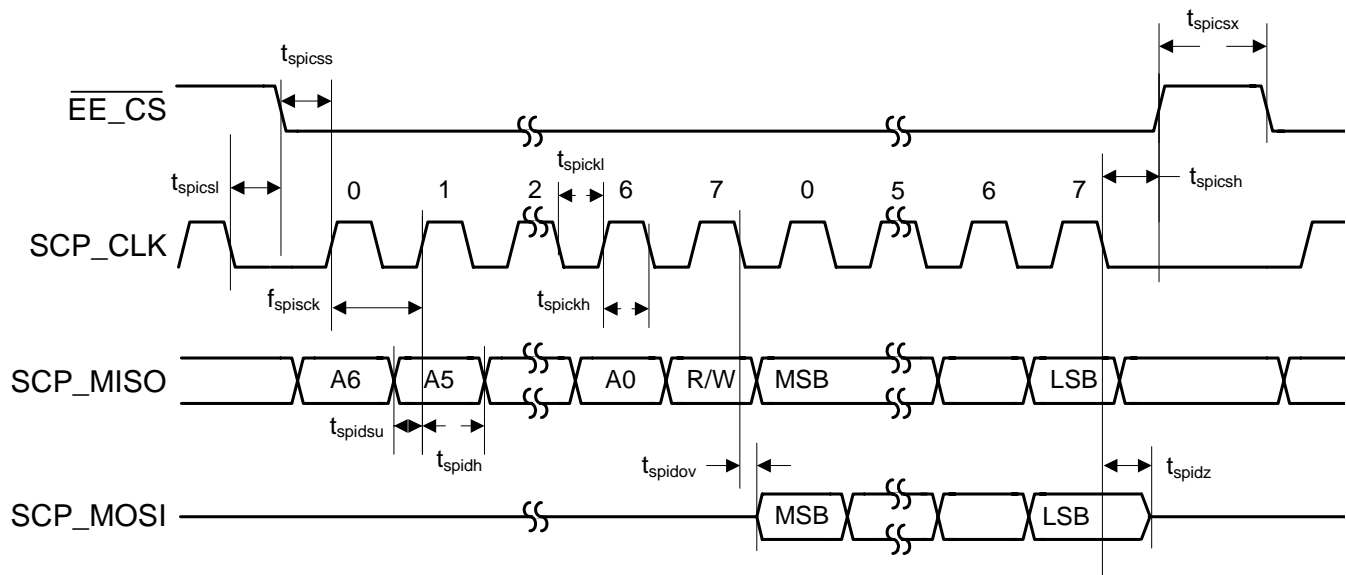


Figure 4. Serial Control Port - SPI Master Mode Timing



## 5.12 Switching Characteristics — Serial Control Port - I<sup>2</sup>C Slave Mode

Parameter	Symbol	Min	Typical	Max	Units
SCP_CLK frequency <sup>1</sup>	$f_{iicck}$	-		400	kHz
SCP_CLK low time	$t_{iicckl}$	1.25		-	$\mu$ s
SCP_CLK high time	$t_{iicckh}$	1.25		-	$\mu$ s
SCP_SCK rising to SCP_SDA rising or falling for START or STOP condition	$t_{iicckcmd}$	1.25			$\mu$ s
START condition to SCP_CLK falling	$t_{iicstsc}$	1.25		-	$\mu$ s
SCP_CLK falling to STOP condition	$t_{iicstp}$	2.5		-	$\mu$ s
Bus free time between STOP and START conditions	$t_{iicbft}$	3		-	$\mu$ s
Setup time SCP_SDA input valid to SCP_CLK rising	$t_{iicsu}$	100			ns
Hold time SCP_SDA input after SCP_CLK falling	$t_{iich}$	20		-	ns
SCP_CLK low to SCP_SDA out valid	$t_{iicdov}$	-		18	ns
SCP_CLK falling to $\overline{\text{SCP\_IRQ}}$ rising	$t_{iicirqh}$	-		$3 \cdot \text{DCLKP} + 40$	ns
NAK condition to $\overline{\text{SCP\_IRQ}}$ low	$t_{iicirql}$		$3 \cdot \text{DCLKP} + 20$		ns
SCP_CLK rising to $\overline{\text{SCB\_BSY}}$ low	$t_{iicbsyl}$	-	$3 \cdot \text{DCLKP} + 20$		ns

1. The specification  $f_{iicck}$  indicates the maximum speed of the hardware. The system designer should be aware that the actual maximum speed of the communication port may be limited by the firmware application. Flow control using the  $\overline{\text{SCP\_BSY}}$  pin should be implemented to prevent overflow of the input data buffer.

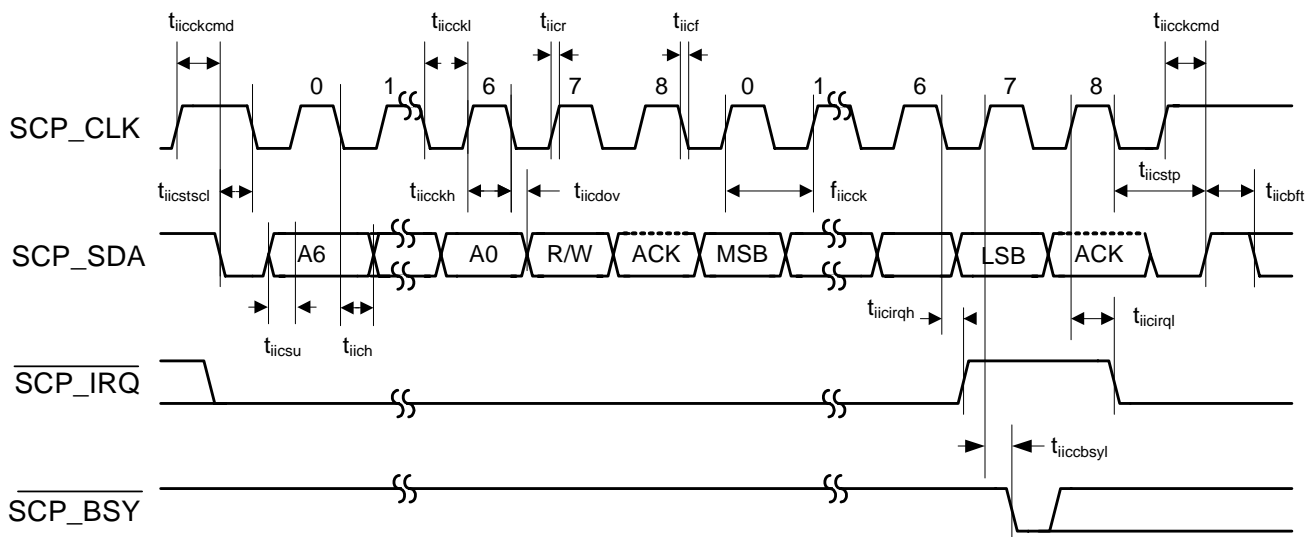


Figure 5. Serial Control Port - I<sup>2</sup>C Slave Mode Timing

### 5.13 Switching Characteristics — Serial Control Port - I<sup>2</sup>C Master Mode

Parameter	Symbol	Min	Max	Units
SCP_CLK frequency <sup>1</sup>	$f_{iicck}$	-	400	kHz
SCP_CLK low time	$t_{iicckl}$	1.25	-	$\mu$ s
SCP_CLK high time	$t_{iicckh}$	1.25	-	$\mu$ s
SCP_SCK rising to SCP_SDA rising or falling for START or STOP condition	$t_{iicckcmd}$	1.25		$\mu$ s
START condition to SCP_CLK falling	$t_{iicstsc}$	1.25	-	$\mu$ s
SCP_CLK falling to STOP condition	$t_{iicstp}$	2.5	-	$\mu$ s
Bus free time between STOP and START conditions	$t_{iicbft}$	3	-	$\mu$ s
Setup time SCP_SDA input valid to SCP_CLK rising	$t_{iicsu}$	100		ns
Hold time SCP_SDA input after SCP_CLK falling	$t_{iich}$	20	-	ns
SCP_CLK low to SCP_SDA out valid	$t_{iicdov}$	-	36	ns

1. The specification  $f_{iicck}$  indicates the maximum speed of the hardware. The system designer should be aware that the actual maximum speed of the communication port may be limited by the firmware application.

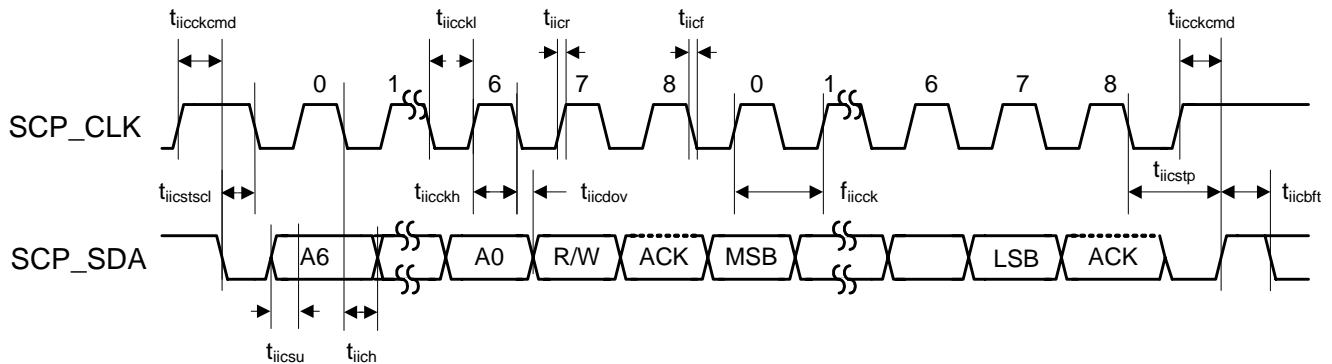
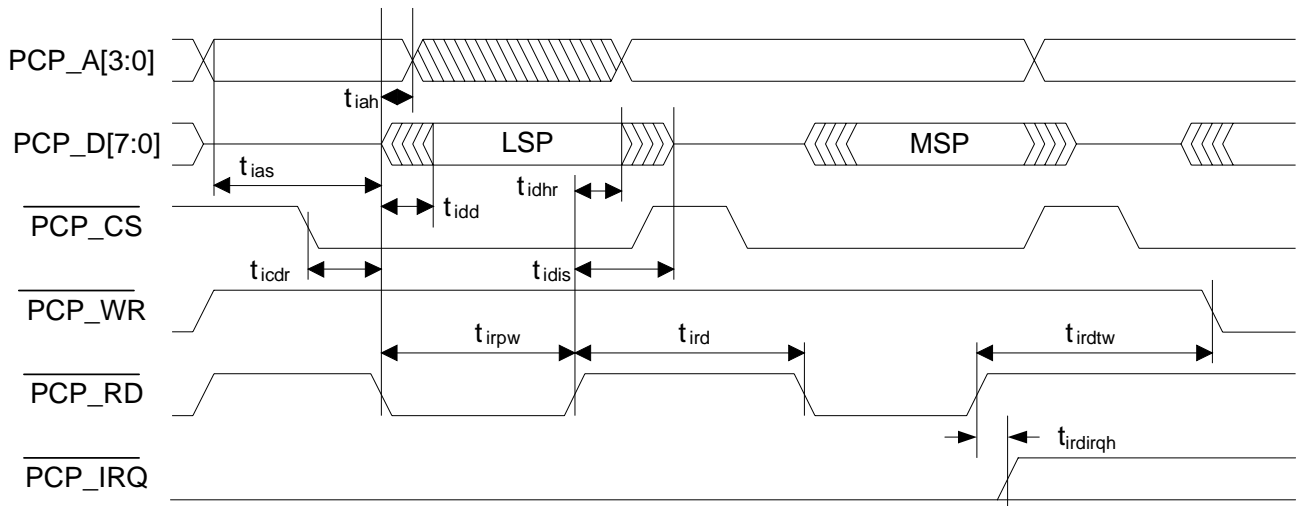
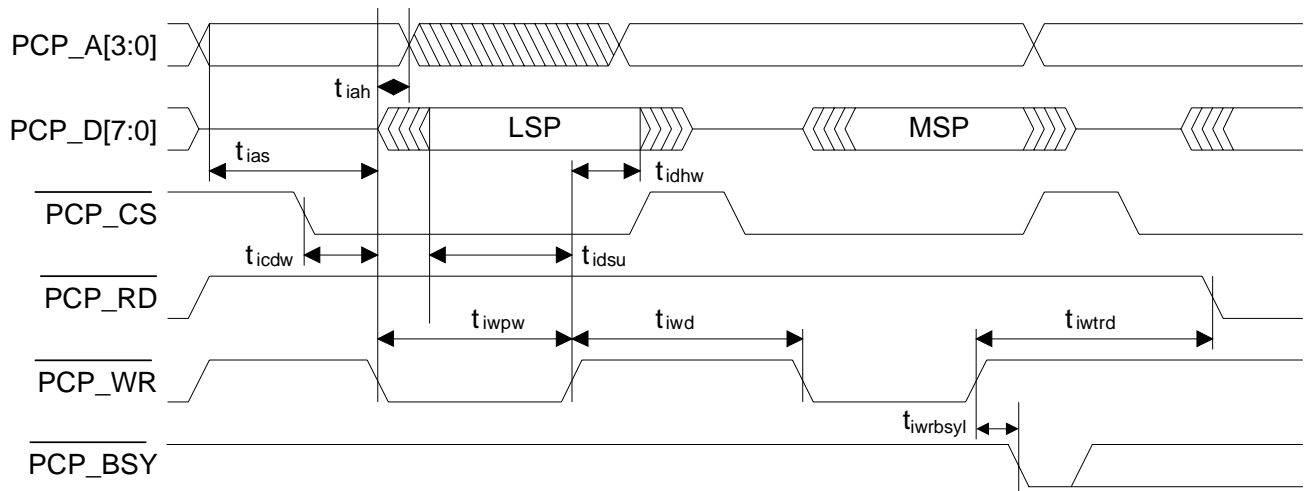


Figure 6. Serial Control Port - I<sup>2</sup>C Master Mode Timing

## 5.14 Switching Characteristics — Parallel Control Port - Intel® Slave Mode

Parameter	Symbol	Min	Typical	Max	Unit
Address setup before $\overline{\text{PCP\_CS}}$ and $\overline{\text{PCP\_RD}}$ low or $\overline{\text{PCP\_CS}}$ and $\overline{\text{PCP\_WR}}$ low	$t_{ias}$	5		-	ns
Address hold time after $\overline{\text{PCP\_CS}}$ and $\overline{\text{PCP\_RD}}$ low or $\overline{\text{PCP\_CS}}$ and $\overline{\text{PCP\_WR}}$ high	$t_{iah}$	5		-	ns
<b>Read</b>					
Delay between $\overline{\text{PCP\_RD}}$ then $\overline{\text{PCP\_CS}}$ low or $\overline{\text{PCP\_CS}}$ then $\overline{\text{PCP\_RD}}$ low	$t_{icdr}$	0		-	ns
Data valid after $\overline{\text{PCP\_CS}}$ and $\overline{\text{PCP\_RD}}$ low	$t_{idd}$	-		18	ns
$\overline{\text{PCP\_CS}}$ and $\overline{\text{PCP\_RD}}$ low for read	$t_{irpw}$	24		-	ns
Data hold time after $\overline{\text{PCP\_CS}}$ or $\overline{\text{PCP\_RD}}$ high	$t_{idhr}$	8		-	ns
Data high-Z after $\overline{\text{PCP\_CS}}$ or $\overline{\text{PCP\_RD}}$ high	$t_{idis}$	-		18	ns
$\overline{\text{PCP\_CS}}$ or $\overline{\text{PCP\_RD}}$ high to $\overline{\text{PCP\_CS}}$ and $\overline{\text{PCP\_RD}}$ low for next read <sup>1</sup>	$t_{ird}$	30		-	ns
$\overline{\text{PCP\_CS}}$ or $\overline{\text{PCP\_RD}}$ high to $\overline{\text{PCP\_CS}}$ and $\overline{\text{PCP\_WR}}$ low for next write <sup>1</sup>	$t_{irdtw}$	30		-	ns
$\overline{\text{PCP\_RD}}$ rising to $\overline{\text{PCP\_IRQ}}$ rising	$t_{irdirqhl}$	-		12	ns
<b>Write</b>					
Delay between $\overline{\text{PCP\_WR}}$ then $\overline{\text{PCP\_CS}}$ low or $\overline{\text{PCP\_CS}}$ then $\overline{\text{PCP\_WR}}$ low	$t_{icdw}$	0		-	ns
Data setup before $\overline{\text{PCP\_CS}}$ or $\overline{\text{PCP\_WR}}$ high	$t_{idsu}$	8		-	ns
$\overline{\text{PCP\_CS}}$ and $\overline{\text{PCP\_WR}}$ low for write	$t_{iwpw}$	24		-	ns
Data hold after $\overline{\text{PCP\_CS}}$ or $\overline{\text{PCP\_WR}}$ high	$t_{idhw}$	8		-	ns
$\overline{\text{PCP\_CS}}$ or $\overline{\text{PCP\_WR}}$ high to $\overline{\text{PCP\_CS}}$ and $\overline{\text{PCP\_RD}}$ low for next read <sup>1</sup>	$t_{iwtrd}$	30		-	ns
$\overline{\text{PCP\_CS}}$ or $\overline{\text{PCP\_WR}}$ high to $\overline{\text{PCP\_CS}}$ and $\overline{\text{PCP\_WR}}$ low for next write <sup>1</sup>	$t_{iwd}$	30		-	ns
$\overline{\text{PCP\_WR}}$ rising to $\overline{\text{PCP\_BSY}}$ falling	$t_{iwrbsyl}$	-	2*DCLKP + 20	-	ns

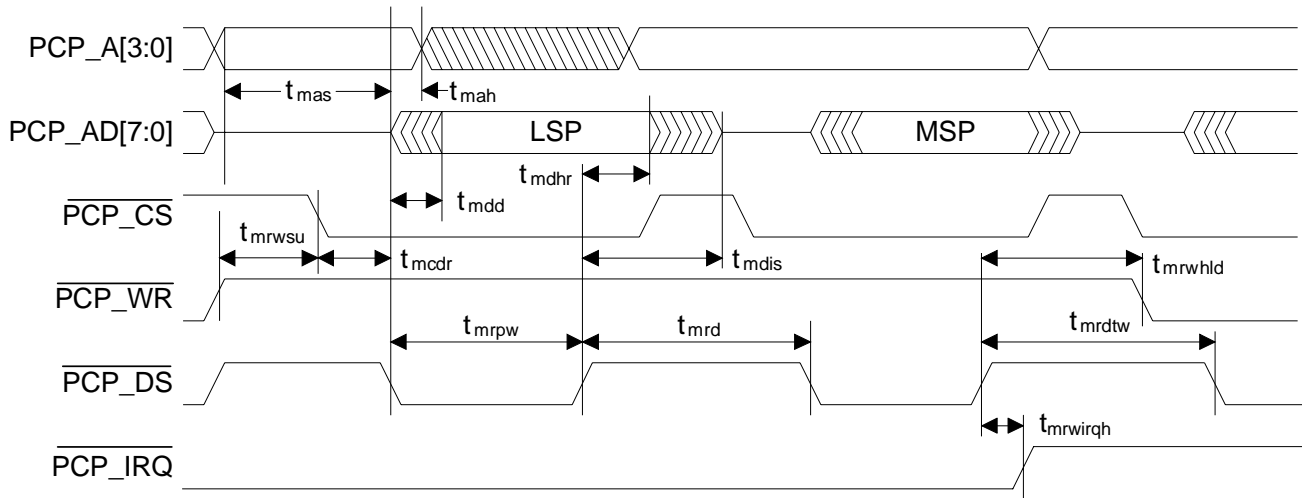
1. The system designer should be aware that the actual maximum speed of the communication port may be limited by the firmware application. Hardware handshaking on the  $\overline{\text{PCP\_BSY}}$  pin/bit should be observed to prevent overflowing the input data buffer. AN288 *CS4953xx /CS497xxx Firmware User's Manual* should be consulted for the firmware speed limitations.


**Figure 7. Parallel Control Port - Intel® Slave Mode Read Cycle**

**Figure 8. Parallel Control Port - Intel Slave Mode Write Cycle**

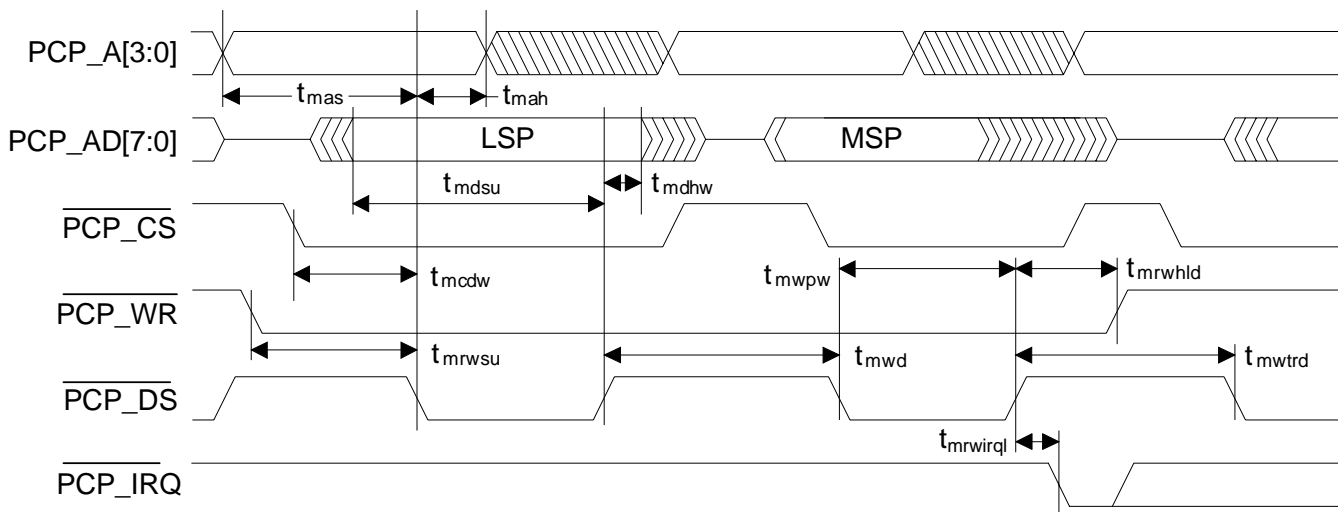
## 5.15 Switching Characteristics — Parallel Control Port - Motorola® Slave Mode

Parameter	Symbol	Min		Max	Unit
Address setup before $\overline{\text{PCP\_CS}}$ and $\overline{\text{PCP\_DS}}$ low	$t_{\text{mas}}$	5		-	ns
Address hold time after $\overline{\text{PCP\_CS}}$ and $\overline{\text{PCP\_DS}}$ low	$t_{\text{mah}}$	5		-	ns
<b>Read</b>					
Delay between $\overline{\text{PCP\_DS}}$ then $\overline{\text{PCP\_CS}}$ low or $\overline{\text{PCP\_CS}}$ then $\overline{\text{PCP\_DS}}\#$ low	$t_{\text{mcdr}}$	0		-	ns
Data valid after $\overline{\text{PCP\_CS}}$ and $\overline{\text{PCP\_DS}}$ low with $\overline{\text{PCP\_R/W}}$ high	$t_{\text{mdd}}$	-		19	ns
$\overline{\text{PCP\_CS}}$ and $\overline{\text{PCP\_DS}}$ low for read	$t_{\text{mrpw}}$	24		-	ns
Data hold time after $\overline{\text{PCP\_CS}}$ or $\overline{\text{PCP\_DS}}$ high after read	$t_{\text{mdhr}}$	8		-	ns
Data high-Z after $\overline{\text{PCP\_CS}}$ or $\overline{\text{PCP\_DS}}$ high after read	$t_{\text{mdis}}$	-		18	ns
$\overline{\text{PCP\_CS}}$ or $\overline{\text{PCP\_DS}}$ high to $\overline{\text{PCP\_CS}}$ and $\overline{\text{PCP\_DS}}$ low for next read <sup>1</sup>	$t_{\text{mrd}}$	30		-	ns
$\overline{\text{PCP\_CS}}$ or $\overline{\text{PCP\_DS}}$ high to $\overline{\text{PCP\_CS}}$ and $\overline{\text{PCP\_DS}}$ low for next write <sup>1</sup>	$t_{\text{mrdtw}}$	30		-	ns
$\overline{\text{PCP\_RW}}$ rising to $\overline{\text{PCP\_IRQ}}$ falling	$t_{\text{mrwirqh}}$	-		12	ns
<b>Write</b>					
Delay between $\overline{\text{PCP\_DS}}$ then $\overline{\text{PCP\_CS}}$ low or $\overline{\text{PCP\_CS}}$ then $\overline{\text{PCP\_DS}}$ low	$t_{\text{mcdw}}$	0		-	ns
Data setup before $\overline{\text{PCP\_CS}}$ or $\overline{\text{PCP\_DS}}$ high	$t_{\text{mdsu}}$	8		-	ns
$\overline{\text{PCP\_CS}}$ and $\overline{\text{PCP\_DS}}$ low for write	$t_{\text{mwpw}}$	24		-	ns
$\overline{\text{PCP\_R/W}}$ setup before $\overline{\text{PCP\_CS}}$ AND $\overline{\text{PCP\_DS}}$ low	$t_{\text{mrwsu}}$	24		-	ns
$\overline{\text{PCP\_R/W}}$ hold time after $\overline{\text{PCP\_CS}}$ or $\overline{\text{PCP\_DS}}$ high	$t_{\text{mrwhld}}$	8		-	ns
Data hold after $\overline{\text{PCP\_CS}}$ or $\overline{\text{PCP\_DS}}$ high	$t_{\text{mdhw}}$	8		-	ns
$\overline{\text{PCP\_CS}}$ or $\overline{\text{PCP\_DS}}$ high to $\overline{\text{PCP\_CS}}$ and $\overline{\text{PCP\_DS}}$ low with $\overline{\text{PCP\_R/W}}$ high for next read <sup>1</sup>	$t_{\text{mwtrd}}$	30		-	ns
$\overline{\text{PCP\_CS}}$ or $\overline{\text{PCP\_DS}}$ high to $\overline{\text{PCP\_CS}}$ and $\overline{\text{PCP\_DS}}$ low for next write <sup>1</sup>	$t_{\text{mwd}}$	30		-	ns
$\overline{\text{PCP\_RW}}$ rising to $\overline{\text{PCP\_BSY}}$ falling	$t_{\text{mrwbsyl}}$	-	$2 \cdot \text{DCLKP} + 20$	-	ns

1. The system designer should be aware that the actual maximum speed of the communication port may be limited by the firmware application. Hardware handshaking on the  $\overline{\text{PCP\_BSY}}$  pin/bit should be observed to prevent overflowing the input data buffer. AN288 CS4953xx/CS497xxx Firmware User's Manual should be consulted for the firmware speed limitations.



**Figure 9. Parallel Control Port - Motorola® Slave Mode Read Cycle Timing**



**Figure 10. Parallel Control Port - Motorola Slave Mode Write Cycle Timing**

## 5.16 Switching Characteristics — Digital Audio Slave Input Port

Parameter	Symbol	Min	Max	Unit
DAI_SCLK period	$T_{\text{daiclkp}}$	40	-	ns
DAI_SCLK duty cycle	-	45	55	%
Setup time DAI_DATAn	$t_{\text{daidsu}}$	10	-	ns
Hold time DAI_DATAn	$t_{\text{daidh}}$	5	-	ns

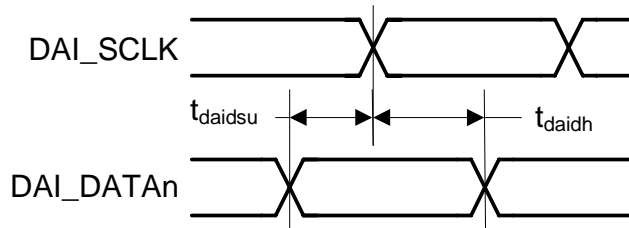


Figure 11. Digital Audio Input (DAI) Port Timing Diagram



## 5.17 Switching Characteristics — DSD® Serial Input Port

Parameter	Symbol	Min	Typ	Max	Unit
DSD_SCLK Pulse Width Low	$t_{sckl}$	78	-	-	ns
DSD_SCLK Pulse Width High	$t_{sckh}$	78	-	-	ns
DSD_SCLK Frequency (64x Oversampled)	-	1.024	-	3.2	MHz
DSD_A / _B valid to DSD_SCLK rising setup time	$t_{sdlrs}$	20	-	-	ns
DSD_SCLK rising to DSD_A or DSD_B hold time	$t_{sdh}$	20	-	-	ns

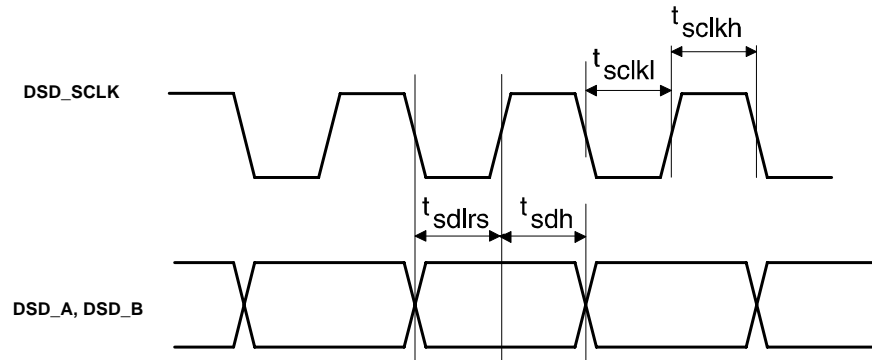
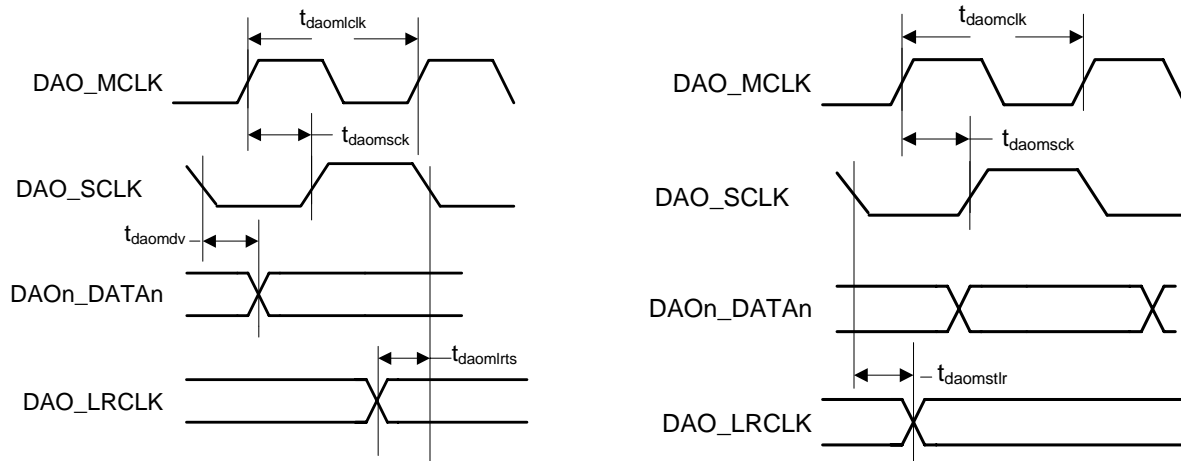


Figure 12. DSD Serial Audio Input Timing

## 5.18 Switching Characteristics — Digital Audio Output Port

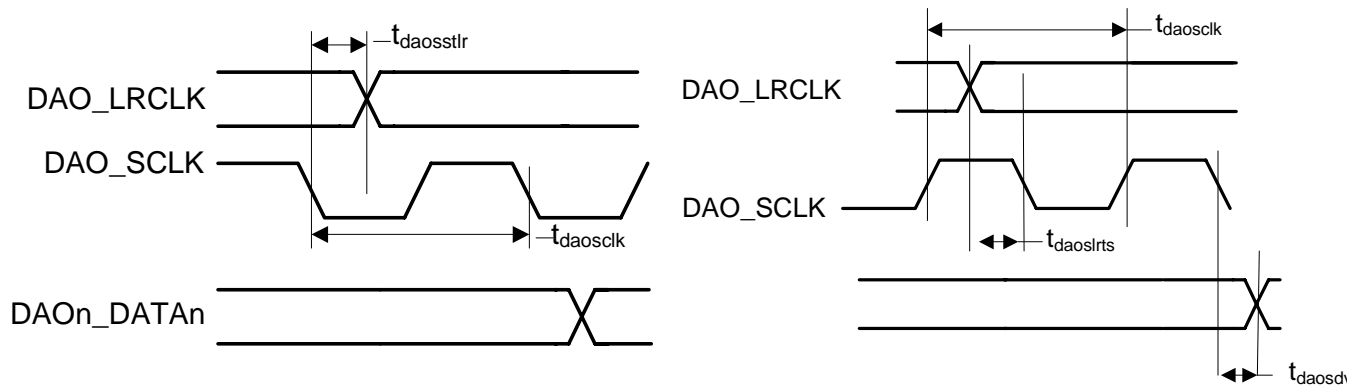
Parameter	Symbol	Min	Max	Unit
DAO_MCLK period	$T_{daomclk}$	40	-	ns
DAO_MCLK duty cycle	-	45	55	%
DAO_SCLK period for Master or Slave mode <sup>1</sup>	$T_{daosclk}$	40	-	ns
DAO_SCLK duty cycle for Master or Slave mode <sup>1</sup>	-	40	60	%
<b>Master Mode (Output A1 Mode)<sup>1,2</sup></b>				
DAO_SCLK delay from DAO_MCLK rising edge, DAO_MCLK as an input	$t_{daomsck}$	-	19	ns
DAO_SCLK delay from DAO_LRCLK transition, respectively <sup>3</sup>	$t_{daomlrts}$	-	8	ns
DAO_LRCLK delay from DAO_SCLK transition, respectively <sup>3</sup>	$t_{daomstr}$	-	8	ns
DAO1_DATA[3..0], DAO2_DATA[1..0] delay from DAO_SCLK transition <sup>3</sup>	$t_{daomdv}$	-	10	ns
<b>Slave Mode (Output A0 Mode)<sup>4</sup></b>				
DAO1_DATA[3..0], DAO2_DATA[1..0] delay from DAO_SCLK transition <sup>3</sup>	$t_{daosdv}$	-	15	ns
DAO_LRCLK delay from DAO_SCLK transition, respectively <sup>3</sup>	$t_{daosstr}$	-	30	ns
DAO_SCLK delay from DAO_LRCLK transition, respectively <sup>3</sup>	$t_{daoslrts}$	-	15	ns

1. Master mode timing specifications are characterized, not production tested.
2. Master mode is defined as the CS4953xx driving both DAO\_SCLK, DAO\_LRCLK. When MCLK is an input, it is divided to produce DAO\_SCLK, DAO\_LRCLK.
3. This timing parameter is defined from the non-active edge of DAO\_SCLK. The active edge of DAO\_SCLK is the point at which the data is valid.
4. Slave mode is defined as DAO\_SCLK, DAO\_LRCLK driven by an external source.



Note: In these diagrams, Falling edge is the inactive edge of DAO\_SCLK

Figure 13. Digital Audio Port Output Timing Master Mode



Note: In these diagrams, Falling edge is the inactive edge of DAO\_SCLK

**Figure 14. Digital Audio Output Timing, Slave Mode (Relationship LRCLK to SCLK)**

## 5.19 Switching Characteristics — SDRAM Interface

Refer to [Figure 15](#) through [Figure 18](#).

(SD\_CLKOUT = SD\_CLKIN)

Parameter	Symbol	Min	Typical	Max	Unit
SD_CLKIN high time	$t_{sdclkh}$	2.3		-	ns
SD_CLKIN low time	$t_{sdckl}$	2.3		-	ns
SD_CLKOUT rise/fall time	$t_{sdckrf}$	-		1	ns
SD_CLKOUT Frequency			150		MHz
SD_CLKOUT duty cycle	-	45		55	%
SD_CLKOUT rising edge to signal valid	$t_{sdcmdv}$	-		3.8	ns
Signal hold from SD_CLKOUT rising edge	$t_{sdcmdh}$		1.1	-	ns
SD_CLKOUT rising edge to SD_DQMn valid	$t_{sddqv}$	-	3.8	-	ns
SD_DQMn hold from SD_CLKOUT rising edge	$t_{sddqh}$	1.38		-	ns
SD_DATA valid setup to SD_CLKIN rising edge	$t_{sddsu}$	1.3		-	ns
SD_DATA valid hold to SD_CLKIN rising edge	$t_{sddh}$	1.38		-	ns
SD_CLKOUT rising edge to ADDRn valid	$t_{sdav}$	-	3.8	-	ns

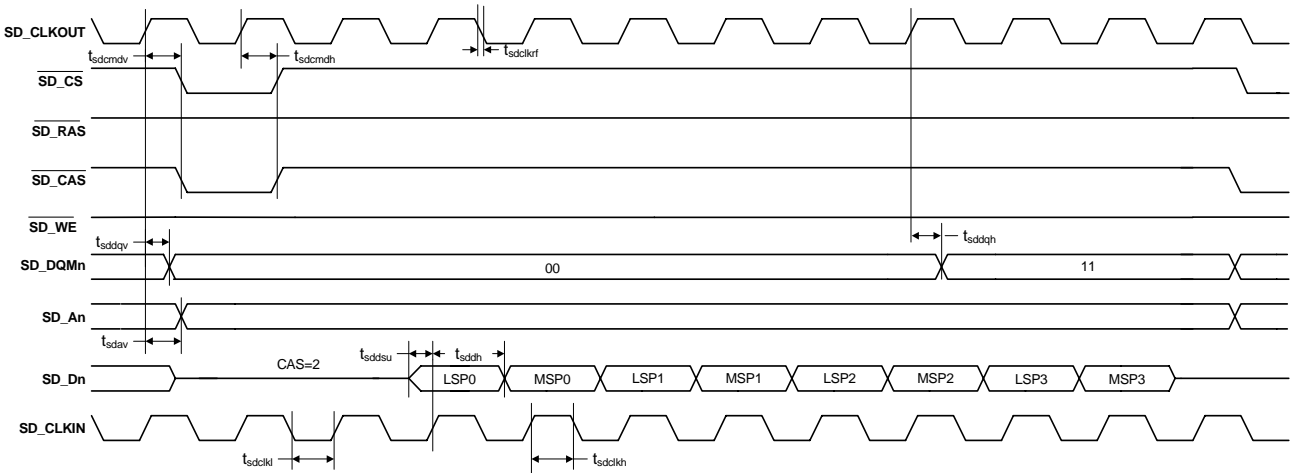


Figure 15. External Memory Interface - SDRAM Burst Read Cycle

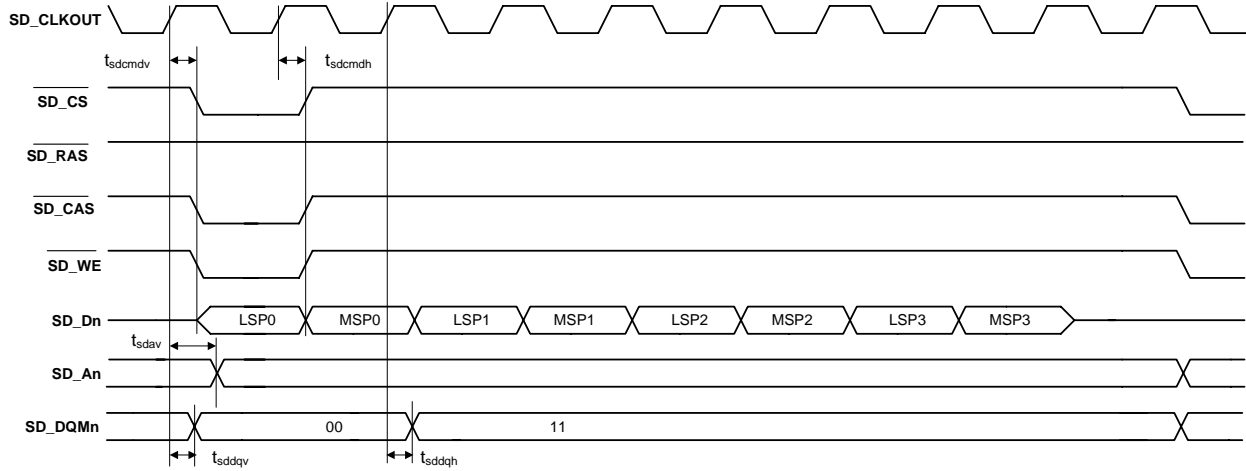
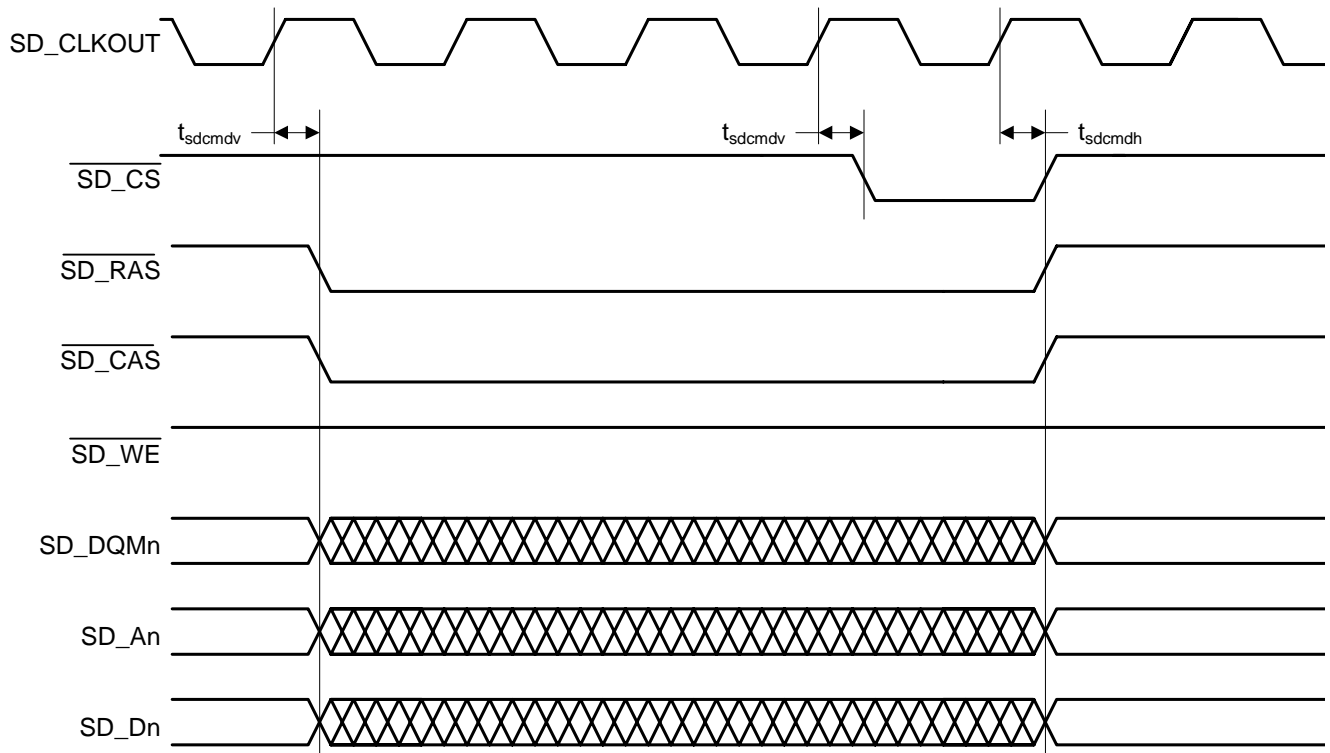
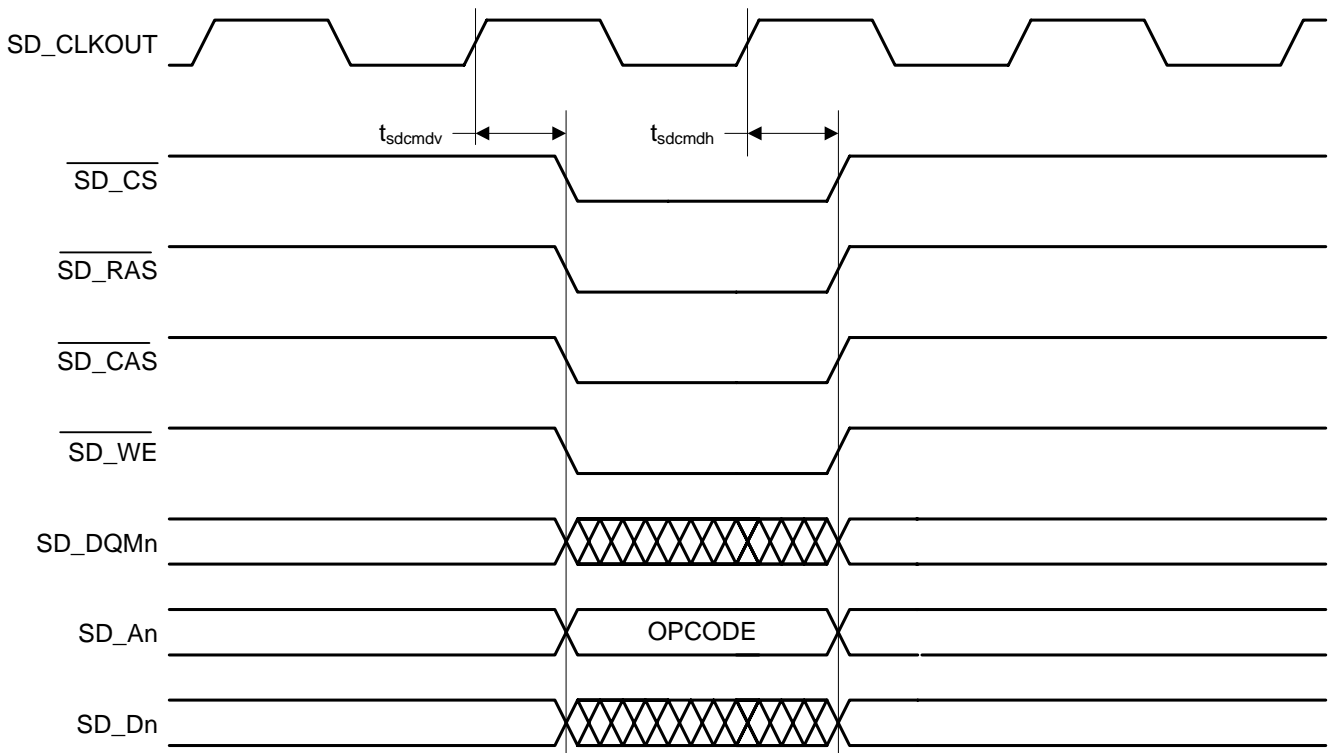


Figure 16. External Memory Interface - SDRAM Burst Write Cycle



**Figure 17. External Memory Interface - SDRAM Auto Refresh Cycle**



**Figure 18. External Memory Interface - SDRAM Load Mode Register Cycle**

## 6. Ordering Information

The CS4953xx family part number is described as follows:

CS495NNI-XYZ

where

NN - Product Number Variant

I - ROM ID Number

X - Product Grade

Y - Package Type

Z - Lead (Pb) Free

**Table 5. Ordering Information**

Part No.	Grade	Temp. Range	Package
CS495303-CVZ	Commercial	0 to +70 °C	128-pin LQFP
CS495303-CVZR <sup>2</sup>			
CS495304-CVZ <sup>1</sup>			
CS495304-CVZR <sup>1, 2</sup>			
CS495304-DVZ <sup>1</sup>	Automotive	-40 to +85 °C	128-pin LQFP
CS495304-DVZR <sup>1, 2</sup>			
CS495313-CQZ	Commercial	0 to +70 °C	144-pin LQFP
CS495313-CQZR <sup>2</sup>			
CS495313-CVZ	Commercial	0 to +70 °C	128-pin LQFP
CS495313-CVZR <sup>2</sup>			
CS495314-CVZ <sup>1</sup>	Commercial	0 to +70 °C	128-pin LQFP
CS495314-CVZR <sup>1, 2</sup>			
CS495314-DVZR <sup>1</sup>	Automotive	-40 to +85 °C	128-pin LQFP
CS495314-DVZR <sup>1, 2</sup>			

1. Recommended for new designs. See [Section 2](#). for details about Cirrus Logic design recommendations.

2. R = Tape and Reel

**Note:** Please contact the factory for availability of the -D (automotive grade) package.

## 7. Environmental, Manufacturing, and Handling Information

**Table 6. Environmental, Manufacturing, and Handling Information**

Model Number	Peak Reflow Temp	MSL Rating*	Max Floor Life
CS495303-CVZ	260 °C	3	7 Days
CS495303-CVZR			
CS495304-CVZ			
CS495304-CVZR			
CS495304-DVZ			
CS495304-DVZR			
CS495313-CQZ			
CS495313-CQZR			
CS495313-CVZ			
CS495313-CVZR			
CS495314-CVZ			
CS495314-CVZR			
CS495314-DVZ			
CS495314-DVZR			

\* MSL (Moisture Sensitivity Level) as specified by IPC/JEDEC J-STD-020.



## 8. Device Pinout Diagrams

### 8.1 128-pin LQFP Pinout Diagrams (CS495303/CS495313)

The CS495303/CS495313 DSP with a 128-pin package is **not** recommended for new designs. See [Section 2](#). for details about this Cirrus Logic recommendation.

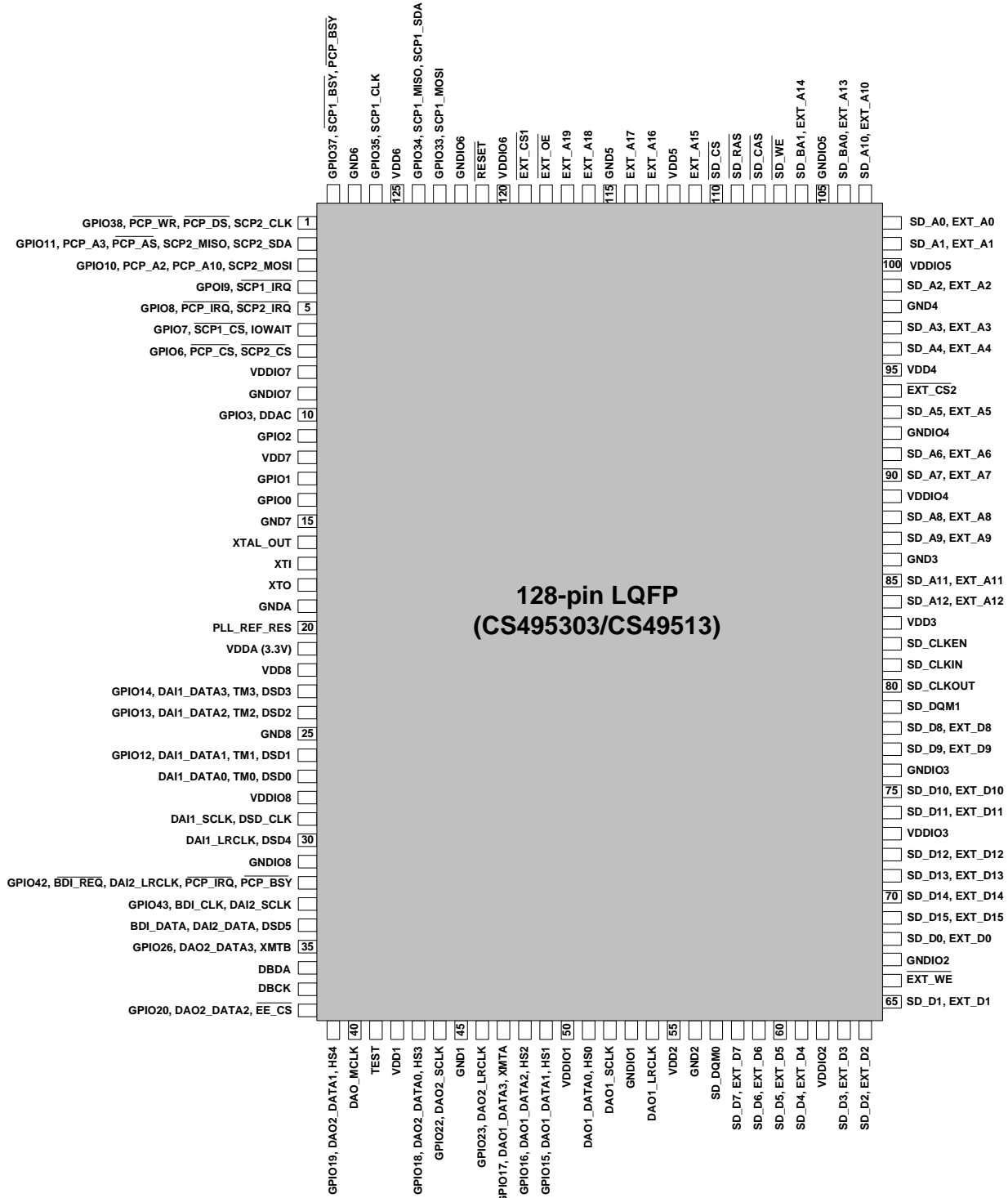


Figure 19. 128-pin LQFP Pin-Out Drawing (CS495303/CS495313)

## 8.2 128-pin LQFP Pinout Diagrams (CS495304/CS495314)

The CS495304/CS495314 DSP with a 128-pin package is recommended for new designs. See [Section 2](#) for details about this Cirrus Logic recommendation.

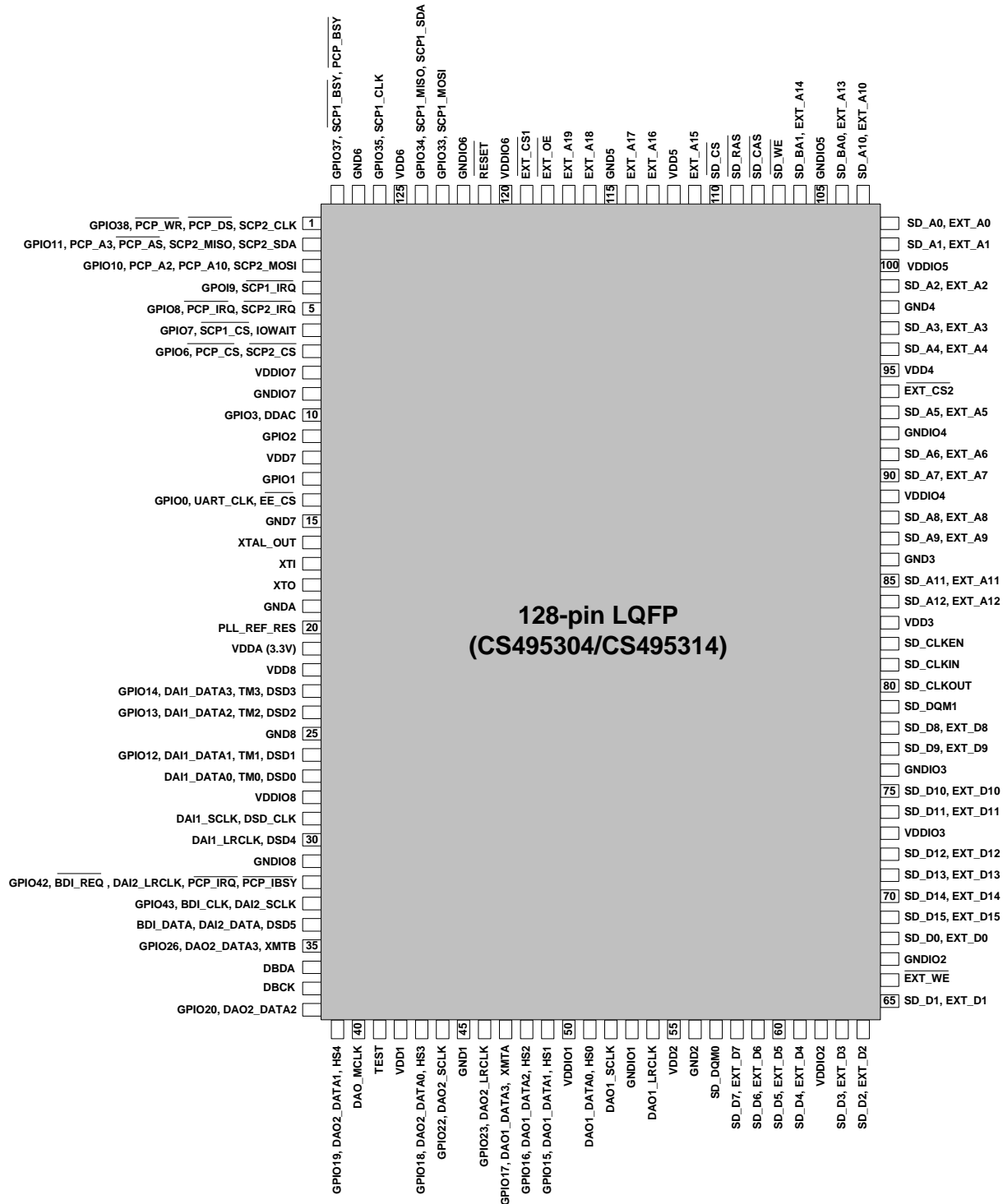


Figure 20. 128-pin LQFP Pin-Out Drawing (CS495304/CS495314)

### 8.3 144-pin LQFP Pinout Diagrams (CS495313)

The CS495313 DSP with a 144-pin package is **not** recommended for new designs. See [Section 2](#) for details about this Cirrus Logic recommendation.

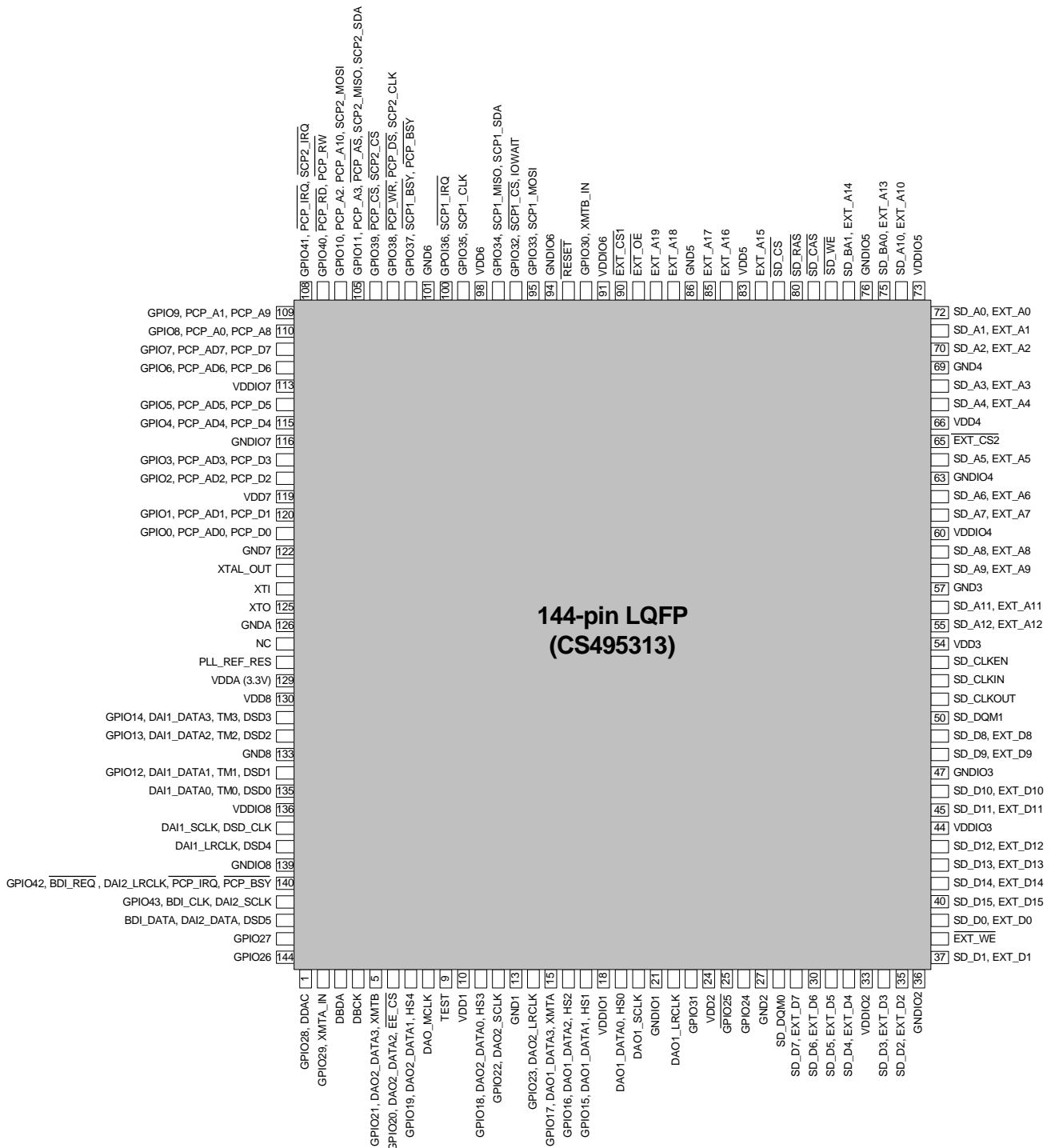


Figure 21. 144-pin LQFP Pin-Out Drawing (CS495313)

## 9. Package Mechanical Drawings

### 9.1 128-pin LQFP Package Drawing

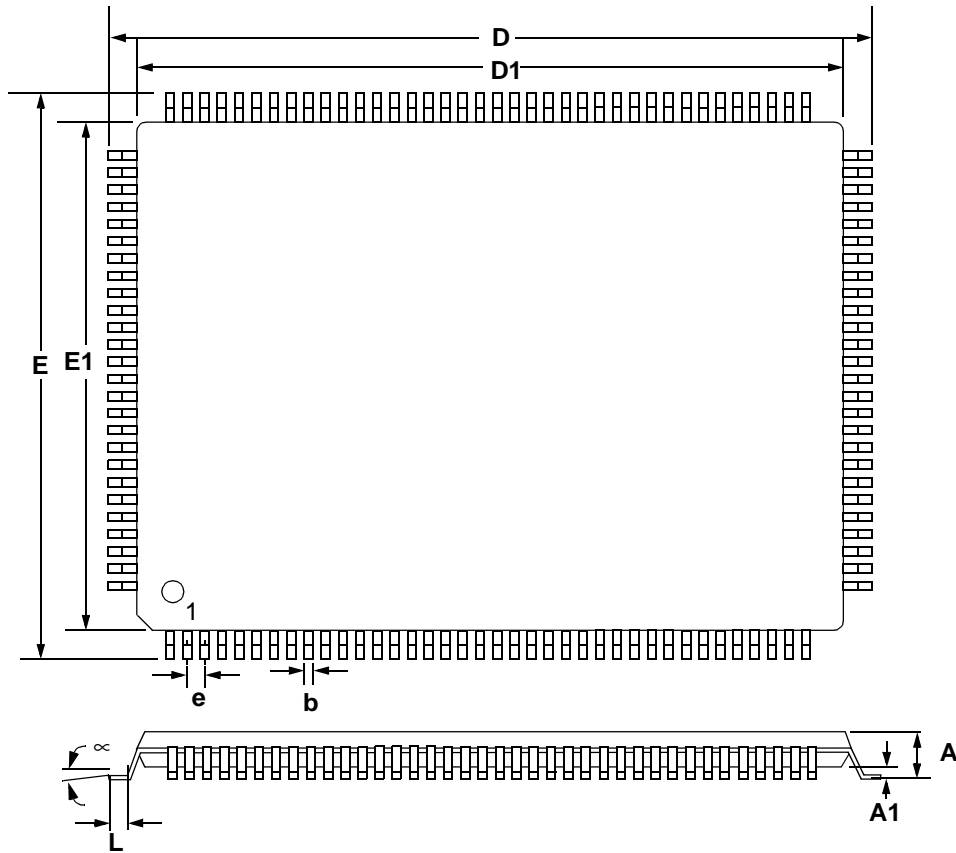


Figure 22. 128-pin LQFP Package Drawing

Table 7. 128-pin LQFP Package Characteristics

DIM	MILLIMETERS			INCHES		
	MIN	NOM	MAX	MIN	NOM	MAX
A	---	---	1.60	---	---	.063"
A1	0.05	---	0.15	.002"	---	.006"
b	0.17	0.22	0.27	.007"	.009"	.011"
D	22.00 BSC			.866"		
D1	20.00 BSC			.787"		
E	16.00 BSC			.630"		
E1	14.00 BSC			.551"		
e	0.50 BSC			.020"		
q	0°	3.5	7°	0°	3.5	7°
L	0.45	0.60	0.75	.018"	.024"	.030"
L1	1.00 REF			.039" REF		
<b>TOLERANCES OF FORM AND POSITION</b>						
ddd	0.08			.003"		

## 9.2 144-pin LQFP Package Drawing

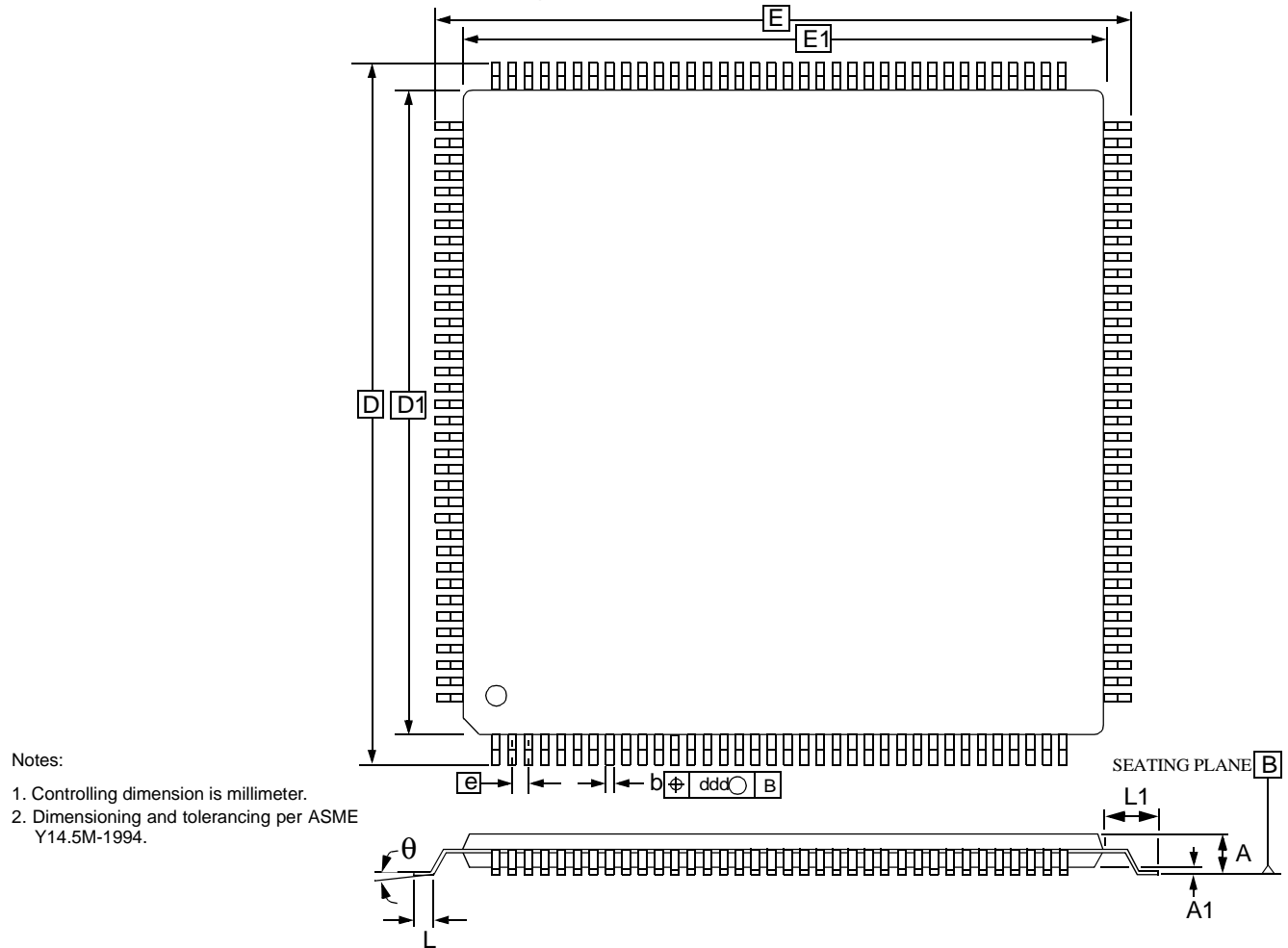


Figure 23. 144-pin LQFP Package Drawing

Table 8. 144-pin LQFP Package Characteristics

DIM	MILLIMETERS			INCHES		
	MIN	NOM	MAX	MIN	NOM	MAX
A	---	---	1.60	---	---	.063"
A1	0.05	---	0.15	.002"	---	.006"
b	0.17	0.22	0.27	.007"	.009"	.011"
D	22.00 BSC			.866"		
D1	20.00 BSC			.787"		
E	22.00 BSC			.866"		
E1	20.00 BSC			.787"		
e	0.50 BSC			.020"		
q	0°	---	7°	0°	---	7°
L	0.45	0.60	0.75	.018"	.024"	.030"
L1	1.00 REF			.039" REF		
<b>TOLERANCES OF FORM AND POSITION</b>						
ddd	0.08			.003"		

## 10. Revision History

Revision	Date	Changes
A1	FEB 2006	Advance release.
A2	JUN 2006	Updated part numbers for ordering (Tables 5 & 6), Updated $V_{OH}$ and $V_{OL}$ specification to include the current load used for testing
A3	JUL 2006	Updated part numbers for ordering (Tables 5 & 6). Updated text in sections 3 and 4. Updated parameter descriptions in sections 5.1 and 5.3. Updated $T_{spickl}$ , $T_{spickh}$ , and $T_{spidov}$ timing. Corrected Figure SPI Master Timing to use $\overline{EE\_CS}$ . Added footnote to XTI table. Removed SCLK/LRCLK relative timing from DAI port timing. Removed SCLK/LRCLK slave relative timing from DAO port timing.
A4	OCT 2007	Updated the $T_{spidsu}$ , $T_{spickl}$ , and $T_{spickh}$ timing parameters for master mode SPI. This applies to both SPI ports.
PP1	May 28, 2008	Updated product feature list in <a href="#">Table 2</a> . Updated <a href="#">Figure 19</a> and <a href="#">Figure 21</a> .
PP2	June 20, 2008	Added typical crystal frequency values in Table Footnote 1 and Min and Max values of $F_{xtal}$ in <a href="#">Section 5.8</a> . Removed DSD Phase Modulation Mode from <a href="#">Section 5.17</a> . Removed reference to MCLK in <a href="#">Section 5.17</a> . Redefined Master mode clock speed for SCP_CLK in <a href="#">Section 5.11</a> . Redefined DC leakage characterization data in <a href="#">Section 5.3</a> , correcting units of measurement. Modified Footnote 1 under <a href="#">Section 5.10</a> .
PP3	September 24, 2008	Removed references to External Parallel Flash / SRAM Interface.
PP4	June 9, 2009	Updated product number references in <a href="#">Section 5.9</a> , <a href="#">Section 6.</a> , <a href="#">Section 7.</a> , <a href="#">Table 2.</a> , <a href="#">Table 3</a> , and <a href="#">Table 4</a> . For all Active Low pins, changed Active Low pin designation from “#” character after the pin name to a line over the pin name as in “ $\overline{EE\_CS}$ ”. Removed Active Low designation from the BDI_REQ pin in the 128-pin pinout drawings in <a href="#">Figure 19</a> and <a href="#">Figure 20</a> , and in the 144-pin pinout drawings in <a href="#">Figure 21</a> and <a href="#">Figure 22</a> . Updated the pin names referred to in the timing diagrams in <a href="#">Figure 9</a> , <a href="#">Figure 10</a> , <a href="#">Figure 17</a> , and <a href="#">Figure 18</a> . Updated the parameters in <a href="#">Section 5.15</a> .
PP5	July 29, 2009	Updated <a href="#">Figure 19</a> , <a href="#">Figure 20</a> , <a href="#">Figure 21</a> . Removed CS495314-CQZ and CS495314-CQZR from <a href="#">Table 5</a> and <a href="#">Table 6</a> . Added recommendation that CS4953x4 family be used with new designs. Updated <a href="#">Section 2</a> .
PP6	November 11, 2009	Removed references to UART port. Removed references to 11.2896, 18.432, and 27 MHz frequency clocks in Note 1 in <a href="#">Section 5.8</a> “Switching Characteristics — XTI” on page 12 and the Min and Max External Crystal Operating Frequency values in that same section. Updated <a href="#">Section 5.17</a> “Switching Characteristics — DSD® Serial Input Port” on page 23. <a href="#">Section 5.18</a> “Switching Characteristics — Digital Audio Output Port” on page 24. In <a href="#">Figure 21</a> , “144-pin LQFP Pin-Out Drawing (CS495313)”, on page 32, moved SCP2_SDA from Pin 106 to Pin 105, deleted duplicate $\overline{EE\_CS}$ from Pin 25, and designated Pin 140 BDI_REQ as active low. Designated Pin 32, BDI_REQ as active low In <a href="#">Figure 19</a> , “128-pin LQFP Pin-Out Drawing (CS495303/CS495313)”, on page 30 and in <a href="#">Figure 20</a> , “128-pin LQFP Pin-Out Drawing (CS495304/CS495314)”, on page 31. In <a href="#">Section 5.3</a> , the parameter, “Input leakage current (all digital pins with internal pull-up resistors enabled, and XTI)”, Max value changes from 50 $\mu$ A to 70 $\mu$ A. In <a href="#">Section 5.13</a> , the parameter SCP_CLK low to SCP_SDA out valid with symbol “tiicdov” Max value changes from 18 ns to 36 ns.

---

## Contacting Cirrus Logic Support

For all product questions and inquiries contact a Cirrus Logic Sales Representative.  
To find the one nearest to you go to [www.cirrus.com](http://www.cirrus.com).

---

### IMPORTANT NOTICE

"Preliminary" product information describes products that are in production, but for which full characterization data is not yet available. Cirrus Logic, Inc. and its subsidiaries ("Cirrus") believe that the information contained in this document is accurate and reliable. However, the information is subject to change without notice and is provided "AS IS" without warranty of any kind (express or implied). Customers are advised to obtain the latest version of relevant information to verify, before placing orders, that information being relied on is current and complete. All products are sold subject to the terms and conditions of sale supplied at the time of order acknowledgment, including those pertaining to warranty, indemnification, and limitation of liability. No responsibility is assumed by Cirrus for the use of this information, including use of this information as the basis for manufacture or sale of any items, or for infringement of patents or other rights of third parties. This document is the property of Cirrus and by furnishing this information, Cirrus grants no license, express or implied under any patents, mask work rights, copyrights, trademarks, trade secrets or other intellectual property rights. Cirrus owns the copyrights associated with the information contained herein and gives consent for copies to be made of the information only for use within your organization with respect to Cirrus integrated circuits or other products of Cirrus. This consent does not extend to other copying such as copying for general distribution, advertising or promotional purposes, or for creating any work for resale.

CERTAIN APPLICATIONS USING SEMICONDUCTOR PRODUCTS MAY INVOLVE POTENTIAL RISKS OF DEATH, PERSONAL INJURY, OR SEVERE PROPERTY OR ENVIRONMENTAL DAMAGE ("CRITICAL APPLICATIONS"). CIRRUS PRODUCTS ARE NOT DESIGNED, AUTHORIZED OR WARRANTED FOR USE IN PRODUCTS SURGICALLY IMPLANTED INTO THE BODY, AUTOMOTIVE SAFETY OR SECURITY DEVICES, LIFE SUPPORT PRODUCTS OR OTHER CRITICAL APPLICATIONS. INCLUSION OF CIRRUS PRODUCTS IN SUCH APPLICATIONS IS UNDERSTOOD TO BE FULLY AT THE CUSTOMER'S RISK AND CIRRUS DISCLAIMS AND MAKES NO WARRANTY, EXPRESS, STATUTORY OR IMPLIED, INCLUDING THE IMPLIED WARRANTIES OF MERCHANTABILITY AND FITNESS FOR PARTICULAR PURPOSE, WITH REGARD TO ANY CIRRUS PRODUCT THAT IS USED IN SUCH A MANNER. IF THE CUSTOMER OR CUSTOMER'S CUSTOMER USES OR PERMITS THE USE OF CIRRUS PRODUCTS IN CRITICAL APPLICATIONS, CUSTOMER AGREES, BY SUCH USE, TO FULLY INDEMNIFY CIRRUS, ITS OFFICERS, DIRECTORS, EMPLOYEES, DISTRIBUTORS AND OTHER AGENTS FROM ANY AND ALL LIABILITY, INCLUDING ATTORNEYS' FEES AND COSTS, THAT MAY RESULT FROM OR ARISE IN CONNECTION WITH THESE USES.

Cirrus Logic, Cirrus, the Cirrus Logic logo designs, DSP Composer, and Cirrus Framework are trademarks of Cirrus Logic, Inc. All other brand and product names in this document may be trademarks or service marks of their respective owners.

Dolby, Dolby Digital, Dolby Headphone, Dolby Virtual Speaker, Dolby Headphone, Pro Logic, and Surround EX are registered trademarks of Dolby Laboratories, Inc. AC-3 and AAC are trademarks of Dolby Laboratories, Inc. Supply of an implementation of Dolby Technology does not convey a license nor imply a right under any patent, or any other industrial or Intellectual Property Right of Dolby Laboratories, to use the Implementation in any finished end-user or ready-to-use final product. It is hereby notified that a license for such use is required from Dolby Laboratories.

DTS, DTS Digital Surround, and DTS Neo:6 are registered trademarks of the Digital Theater Systems, Inc. DTS-ES 96/24, DTS-ES, DTS 6.1, and DTS 96/24 are trademarks of Digital Theater Systems, Inc. It is hereby notified that a third-party license from DTS is necessary to distribute software of DTS in any finished end-user or ready-to-use final product.


THX is a registered trademark of Lucasfilm Ltd. Re-equalization and Ultra 2 are trademarks of Lucasfilm Ltd.

SRS, Circle Surround and Trusurround XT are registered trademarks of SRS Labs, Inc. Circle Surround II is a trademark of SRS Labs, Inc. The CIRCLE SURROUND TECHNOLOGY rights incorporated in the Cirrus Logic chip are owned by SRS Labs, Inc. and by Valence Technology Ltd., and licensed to Cirrus Logic, Inc.

Users of any Cirrus Logic chip containing enabled CIRCLE SURROUND® TECHNOLOGY (i.e., CIRCLE SURROUND® LICENSEES) must first sign a license to purchase production quantities for consumer electronics applications which may be granted upon submission of a preproduction sample to, and the satisfactory passing of performance verification tests performed by SRS Labs, Inc., or Valence Technology Ltd. E-mail requests for performance specifications and testing rate schedule may be made to [cslicense@srslabs.com](mailto:cslicense@srslabs.com). SRS Labs, Inc. and Valence Technology, Ltd., reserve the right to decline a use license for any submission that does not pass performance specifications or is not in the consumer electronics classification.

All equipment manufactured using any Cirrus Logic chip containing enabled CIRCLE SURROUND® TECHNOLOGY must carry the Circle Surround® logo on the front panel in a manner approved in writing by SRS Labs, Inc., or Valence Technology Ltd. If the Circle Surround logo is printed in users manuals, service manuals or advertisements, it must appear in a form approved in writing by SRS Labs, Inc., or Valence Technology, Ltd. The rear panel of Circle Surround® products, users manuals, service manuals, and all advertising must all carry the legends as described in LICENSOR'S most current version of the CIRCLE SURROUND Trademark Usage Manual.

Microsoft and Windows Media are registered trademarks of Microsoft Corporation. The product includes technology owned by Microsoft Corporation and cannot be used or distributed without a license from Microsoft Licensing, Inc.

 HD-CD, HD-CD, High Definition Compatible Digital and Pacific Microsonics Inc. are either registered trademarks or trademarks of Microsoft Corporation in the United States and/or other countries. HD-CD technology provided under license from Microsoft Corporation. The product's design (and/or software) is covered by one or more of the following: 5,479,168; 5,638,074; 5,640,161; 5,808,574; 5,838,274; 5,854,600; 5,864,311; 5,872,531 with other patents pending.

Supply of this product does not convey a license under the relevant intellectual property of Thomson multimedia and/or Fraunhofer Gesellschaft nor imply any right to use this product in any finished end user or ready-to-use final product. An independent license for such use is required. For details, please visit <http://www.mp3licensing.com>.

Motorola and SPI are trademarks of Motorola, Inc.

Intel is a registered trademark of Intel Corporation.

i<sup>2</sup>C is a trademark of Philips Semiconductor.

DSD, and Direct Stream Digital are registered trademarks of SONY KABUSHIKI KAISHA CORPORATION.