



## CAN and LIN Transceivers Reliable Communication Solutions

Did you know...

an increase in energy efficiency...

- Proven quality
- Reliability track records
- High robustness regarding electro-mechanical noise with fast turn round development cycles?

Infineon Technologies offers transceivers fitting a broad range of consumer, computing, communications and industrial applications. By leveraging our long standing and market leading experience in automotive communication devices application, we are expanding our portfolio to provide communication solutions to our customer's current and future application needs.

### Applications

- Industrial & automation
- Manufacturing & control
- Power generation & distribution
- Home appliances
- Building management
- Logistics management

### Key Features

- Data rates up to 1MBaud
- ISO 11898 standard compliant
- Low power modes
- Support of failure conditions

### Key Benefits

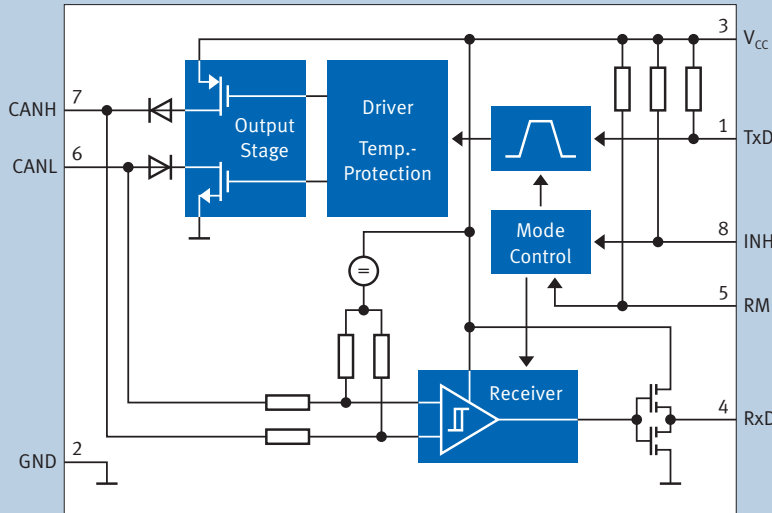
- Low current consumption and standby resp sleep mode
- Thermal protection
- Receive only mode
- Excellent EMC performance

[www.infineon.com/industrial-standard](http://www.infineon.com/industrial-standard)

# CAN and LIN Transceivers

## Reliable Communication Solutions

Block Diagram IFX 1050G



### Product Summary

Product	Package	Green	Transceiver Type	Transmission Rate (max)	Standby Current	Bus Wake Up
IFX 1021G	PG-DSO-8	Yes	LIN 1.3, 2.0, 2.1	20kbit/s	<3mA	Yes
IFX 1050G	PG-DSO-8	Yes	High-speed CAN	1Mbit/s	<10mA receive	No
IFX 1054G	PG-DSO-14	Yes	Fault Tolerant CAN	125kbit/s	<6mA receive	Yes

All our devices are especially designed for use in harsh environments. Our robust design approach ensures delamination-free ICs and long-term reliability.

Green products (RoHS compliant) meet the world-wide customer requirements for being environmentally friendly products and to be compliant with government regulations. Green products are RoHS-Compliant.

Published by  
Infineon Technologies AG  
85579 Neubiberg, Germany

© 2010 Infineon Technologies AG.  
All Rights Reserved.

Visit us:  
[www.infineon.com](http://www.infineon.com)

Order Number: B124-H9527-X-X-7600  
Date: 09 / 2010

#### ATTENTION PLEASE!

The information given in this document shall in no event be regarded as a guarantee of conditions or characteristics ("Beschaffungsgarantie"). With respect to any examples or hints given herein, any typical values stated herein and/or any information regarding the application of the device, Infineon Technologies hereby disclaims any and all warranties and liabilities of any kind, including without limitation warranties of non-infringement of intellectual property rights of any third party.

#### INFORMATION

For further information on technology, delivery terms and conditions and prices please contact your nearest Infineon Technologies Office ([www.infineon.com](http://www.infineon.com)).

#### WARNINGS

Due to technical requirements components may contain dangerous substances. For information on the types in question please contact your nearest Infineon Technologies Office. Infineon Technologies Components may only be used in life-support devices or systems with the express written approval of Infineon Technologies, if a failure of such components can reasonably be expected to cause the failure of that life-support device or system, or to affect the safety or effectiveness of that device or system. Life support devices or systems are intended to be implanted in the human body, or to support and/or maintain and sustain and/or protect human life. If they fail, it is reasonable to assume that the health of the user or other persons may be endangered.