

FEATURES

- Ultra thin type with height 1.6mm Max.
- Ultra small mounting area of 16.8mm²
- SMD type suitable for automatic & high density surface mounting.
- Plastic mold package containing highly reliable tubular type quartz crystal.
- Excellent shock and heat resistance.

APPLICATIONS

- Cellular Phones, Pagers, Radio Communication Equipment, Portable Applications etc.

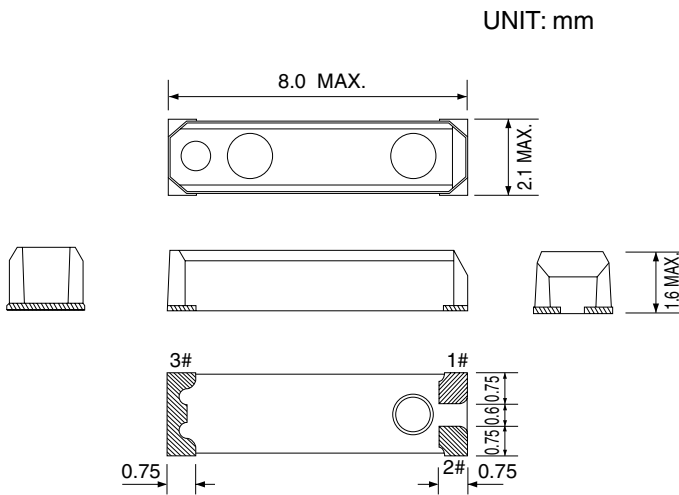
STANDARD SPECIFICATIONS

Conditions without notice (Temperature: +25°C±2°C)

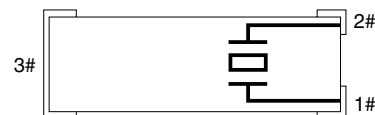
Item	Symbol	Specifications	Conditions / Notes
Nominal Frequency	f ₀	32.768kHz/75.000kHz	
Frequency Tolerance	△ f/f ₀	±10ppm, ±20ppm, ±50ppm	Can be used in high accurate products
Turnover Temperature	T _p	+25°C±5°C	
Temperature Coefficient	K	(-3.5±1.0) × 10 ⁻⁸ /°C ²	
Load Capacitance	C _L	7.0pF/12.5pF	
Equivalent Series Resistance	R ₁	55kΩ max.	
Maximum Drive Level	DL _{max}	1μW	
Recommended Drive Level	DL	0.1μW	
Shunt Capacitance	C ₀	0.95pF typ.	
Aging	△ f/f ₀	±3ppm max.	+25°C±3°C, First Year
Operating Temperature Range	T _{ope}	-40°C to +85°C	
Storage Temperature Range	T _{sto}	-55°C to +125°C	
Reflow Profile	T _{sol}	230°C max. 20sec. x 2 times	IR Reflow

DIMENSIONS

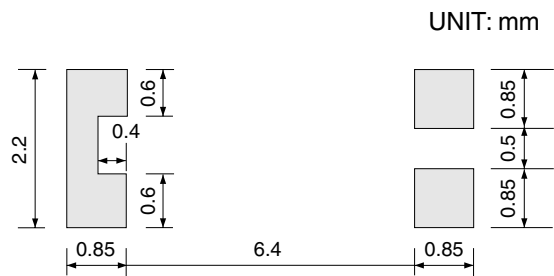
(For details, please refer to individual specification)



INTERNAL LEAD CONNECTION



RECOMMENDED SOLDERING PATTERN



Note: Please make sure that there is no electric wire line under SSP-T6 on the circuit board.