

SPS-7110V-1RG

(RoHS Compliant)

1260 to 1620 nm / 1.5 Gb/s Single Optical SM Receiver

FEATURES

- | SMPTE 292M/297M/259M Compatible
- | Speed from 50 Mbps to 1.5 Gbps
- | **Support Video Pathological Patterns for SD-SDI and HD-SDI**
- | Single Receiver with Simplex LC
- | Based on Industry Standard SFP
- | Single +3.3 V Power Supply
- | RoHS-6 Compliant
- | 0 to 70°C Operation
- | Hot Pluggable

DESCRIPTION

The SPS-7110V-1RG is a single channel optical single mode receiver module designed to receive optical serial digital signals as defined in SMPTE 292M/297M/259M. It supports from 50 Mbps to 1.5 Gbps and is specifically designed for received the SMPTE 292M, SMPTE 297M and SMPTE 259M SDI pathological patterns. It is with the SFP 20-pin connector to allow hot plug capability.

APPLICATIONS

- | SMPTE 292M/297M/259M Compliant Electrical-to-Optical Interfaces
- | High-density Video Routers

ORDER INFORMATION

| P/No. | Type | Bit Rate (Mb/s) | RX1 | | RX2 | | Package | Temp (°C) | RoHS Compliant |
|----------------------|------|-----------------|-----------|------------|--------|------------|---------|-----------|----------------|
| | | | λ (nm) | Sen. (dBm) | λ (nm) | Sen. (dBm) | | | |
| SPS-7110V-1RG | 1-RX | 50 to 1500 | 1260/1620 | 0 to -20 | | | LC SFP | 0 to 70 | Yes |

RELATED PRODUCTS

| P/No. | Type | Bit Rate (Mb/s) | TX1 | | TX2 | | Package | Temp (°C) | RoHS Compliant |
|----------------------|------|-----------------|--------|-------------|--------|-------------|---------|-----------|----------------|
| | | | λ (nm) | Power (dBm) | λ (nm) | Power (dBm) | | | |
| SPS-7110V-1TG | 1-TX | 50 to 1500 | 1310 | 0 to -7 | | | LC SFP | 0 to 70 | Yes |

LINK DISTANCE

| Transmitter | Receiver | SDI | Bit Rate | Max. Link Distance (km) |
|---------------|---------------|--------|-----------|-------------------------|
| SPS-7110V-1TG | SPS-7110V-1RG | HD-SDI | 1.485Gbps | 21 |
| | | SD-SDI | 270Mbos | 30 |

ABSOLUTE MAXIMUM RATINGS

Exposure to absolute maximum rating conditions for extended periods may affect device reliability.

| Absolute Maximum Ratings | | | | | |
|----------------------------|------------------|-----|-----|--------|----------------|
| Parameter | Symbol | Min | Max | Units | Notes |
| Storage Temperature | T _{stg} | -40 | 85 | °C | |
| Operating Case Temperature | T _c | 0 | 70 | °C | |
| Power Supply Voltage | V _{cc} | 0 | 4 | V | |
| ESD Tolerance on all pins | | | 1 | KV HBM | |
| Relative Humidity | --- | 5 | 95 | % RH | non-condensing |

| Recommended Operating Conditions | | | | | |
|----------------------------------|-----------------|------|------|------|---------------|
| Parameter | Symbol | Min | Typ | Max | Units / Notes |
| Power Supply Voltage | V _{cc} | 3.13 | 3.3 | 3.47 | V |
| Operating Case Temperature | T _c | 0 | | 70 | °C |
| Baud Rate | | 50 | 1485 | 1500 | Mb/s |
| Power Supply Current | I _{cc} | | 120 | 160 | mA |

| Receiver Specifications (0°C < T _c < 70°C, 3.13V < V _{cc} < 3.47V) | | | | | | |
|--|-----------------|------|-----|----------------------|-------|--|
| Parameter | Symbol | Min | Typ | Max | Units | Notes |
| Optical | | | | | | |
| Wavelength of Operation | | 1260 | --- | 1620 | nm | |
| Sensitivity for SMPTE 292M | Sen | 0 | --- | -18 | dBm | Pathological |
| 1.485 Gb/s | | 0 | | -20 | dBm | PRBS 2 ²³ -1, BER=1E-12 |
| Signal Detect -- Asserted | P _a | --- | --- | -21 | dBm | Transition: low to high |
| Signal Detect -- Deasserted | P _d | -31 | --- | --- | dBm | Transition: high to low |
| Signal detect -- Hysteresis | | 1 | | 6 | dB | |
| Optical Return Loss | | | -27 | | dB | |
| Electrical | | | | | | |
| CML Output (Differential) | | 550 | 660 | 850 | mVp-p | AC coupled output |
| Optical Rise Time / Fall Time | tr / tf | | | 270 | ps | 1, SMPTE 292M |
| | | | | 800 | ps | 1, SMPTE 344M |
| | | | | 1.5 | ns | 1, SMPTE 259M |
| Output LOS Voltage -- Low | V _{OL} | 0 | | 0.5 | V | I _{OL} =-1.6mA, 1 TTL unit load |
| Output LOS Voltage -- High | V _{OH} | 2.5 | | V _{cc} +0.3 | V | I _{OH} =40μA, 1 TTL unit load |
| SCL, SDA | V _{OH} | 2.5 | | V _{cc} +0.3 | V | |
| | V _{OL} | 0 | | 0.5 | V | |

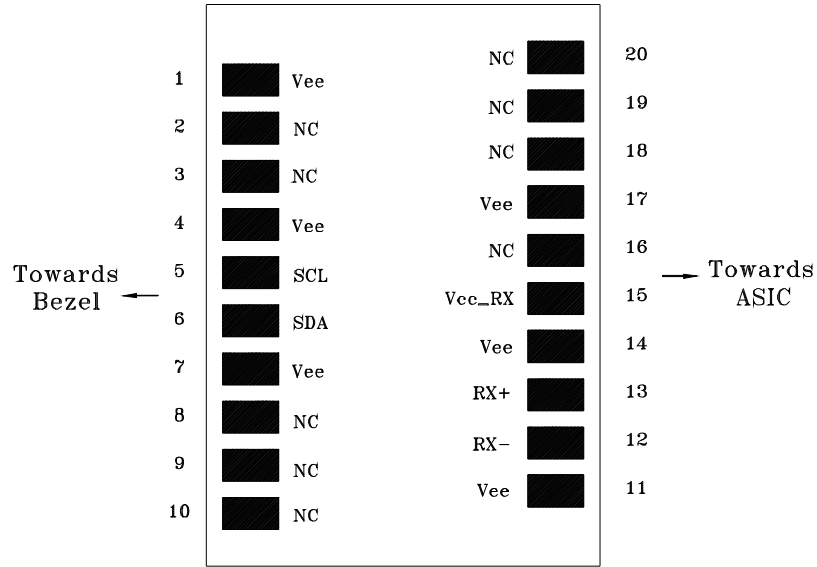
1. 20% to 80%, unfiltered.

MODULE DEFINITION

| Module Definition | PIN 5 | PIN 6 | Interpretation by Host |
|-------------------|-------|-------|-----------------------------------|
| 4 | SCL | SDA | Serial module definition protocol |

Module Definition 4 specifies a serial definition protocol. For this definition, upon power up, SCL and SDA appear as no connector (NC). When the host system detects this condition, it activates the serial protocol. The protocol uses the 2-wire serial CMOS E²PROM protocol of the ATMEL AT24C01A/02/04 family of components.

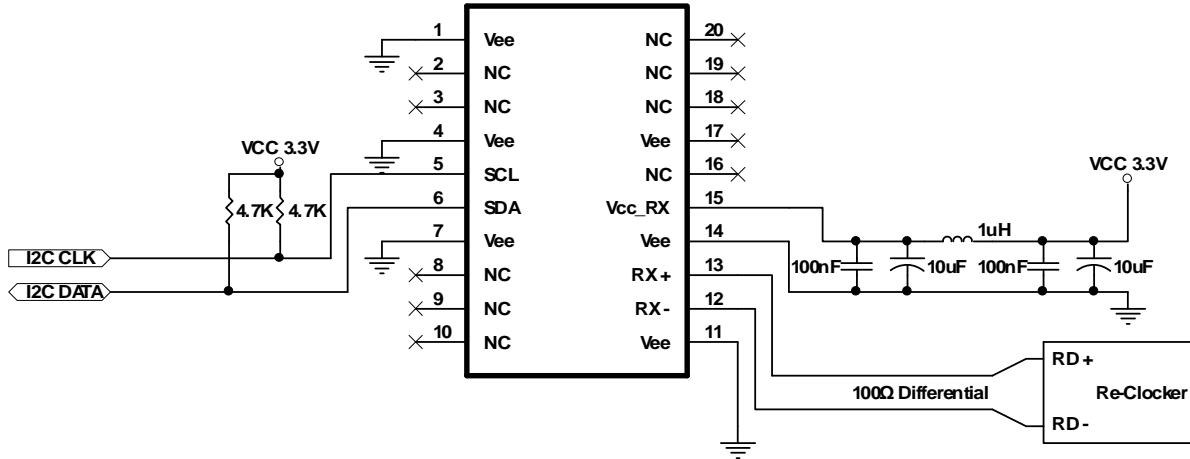
CONNECTION DIAGRAM



| PIN | Name | Function | Notes |
|-----|--------|-------------------------------|------------------------------|
| 1 | Vee | Signal Ground | |
| 2 | NC | No Connection | |
| 3 | NC | No Connection | |
| 4 | Vee | Signal Ground | |
| 5 | SCL | Serial I ² C Clock | |
| 6 | SDA | Serial I ² C Data | |
| 7 | Vee | Signal Ground | |
| 8 | NC | No Connection | |
| 9 | NC | No Connection | |
| 10 | NC | No Connection | |
| 11 | Vee | Signal Ground | |
| 12 | RX- | Negative Differential Output | |
| 13 | RX+ | Positive Differential Output | |
| 14 | Vee | Signal Ground | |
| 15 | Vcc RX | Power Supply | +3.3V±5%, Internal connected |
| 16 | NC | No Connection | |
| 17 | Vee | Signal Ground | |
| 18 | NC | No Connection | |
| 19 | NC | No Connection | |
| 20 | NC | No Connection | |

Downloaded from Elcodis.com electronic components distributor

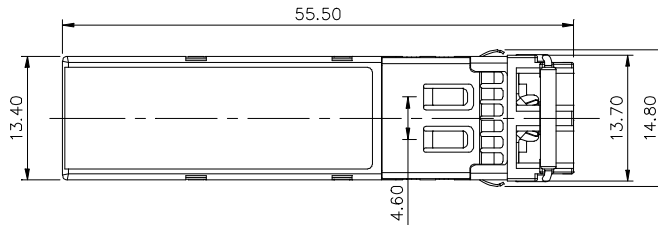
RECOMMENDED CIRCUIT SCHEMATIC



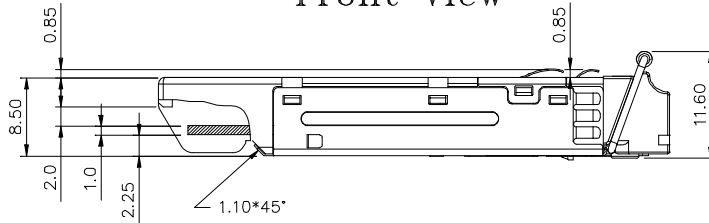
1. Consult Chipset manufacturer's data sheet and application data for appropriate receiver input biasing network.

PACKAGE DIAGRAM (Units in mm)

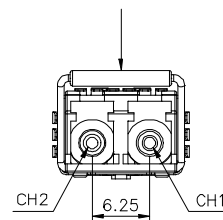
Top View



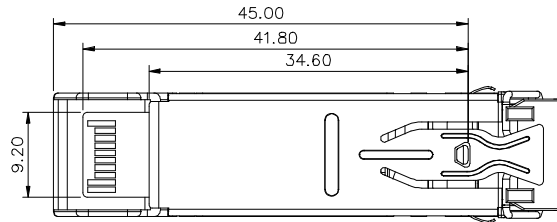
Front View



LATCH COLOR
BLUE



Side View



Bottom View

Note: Since the SPS-7110VW-1RG is single channel device, the receptacle for channel 2 is not used.

REVISION HISTORY

| Version | Subject | Release Date |
|---------|-------------------|--------------|
| 1.0 | Initial datasheet | 2008/10/1 |
| | | |
| | | |
| | | |