

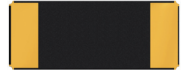
32.768kHz SMD LOW PROFILE CRYSTAL

ABS06

ABS06



RoHS
Compliant



2.0 x 1.2 x 0.6mm

FEATURES:

- Smallest industry package size for 32.768kHz crystals
- 0.6mm height ideal for high density circuit boards
- Ceramic package offers excellent environmental & heat resistance
- Extended temperature -40°C to +85°C for industrial applications

APPLICATIONS:

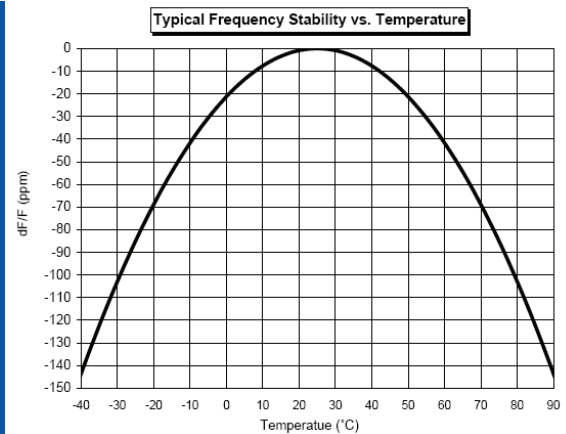
- Wide range in communication & measuring equipment
- Commercial & Industrial applications
- Automotive electronics applications
- Wireless communications
- PDA and Palm Pilots

STANDARD SPECIFICATIONS:

PARAMETERS

ABRACON P/N	ABS06 Series
Nominal Frequency	32.768 kHz
Operating Temperature	-40°C to + 85°C
Turn-over Temperature	+25°C to ±5°C
Storage Temperature	-55°C to +125°C
Frequency Tolerance	±20 ppm max.
Temperature Coefficient (β)	- 0.034 ±0.05 ppm/°C ²
Equivalent Series Resistance	90 kohms max.
Load Capacitance CL	12.5 pF (see option)
Drive Level	0.5 μW max.
Aging (first year) 25°C	± 3 ppm max.
Insulation Resistance	500 MΩ with 100 Vdc ±15V

EXAMPLE TUNING FORK CRYSTAL TEMPERATURE CURVE



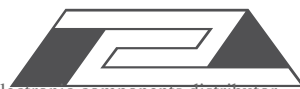
OPTIONS AND PART IDENTIFICATION:

(Left blank if standard)

ABS06-32.768kHz- □ - □ - □

Load Capacitance		Freq. Tolerance		Packaging	
Blank	12.5pF	1	± 10 ppm	Blank	Bulk
9	9pF	4	± 30 ppm	T	Tape and Reel

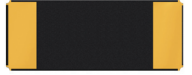
*Contact ABRACON for non-standard load capacitance.



32.768kHz SMD LOW PROFILE CRYSTAL

ABS06

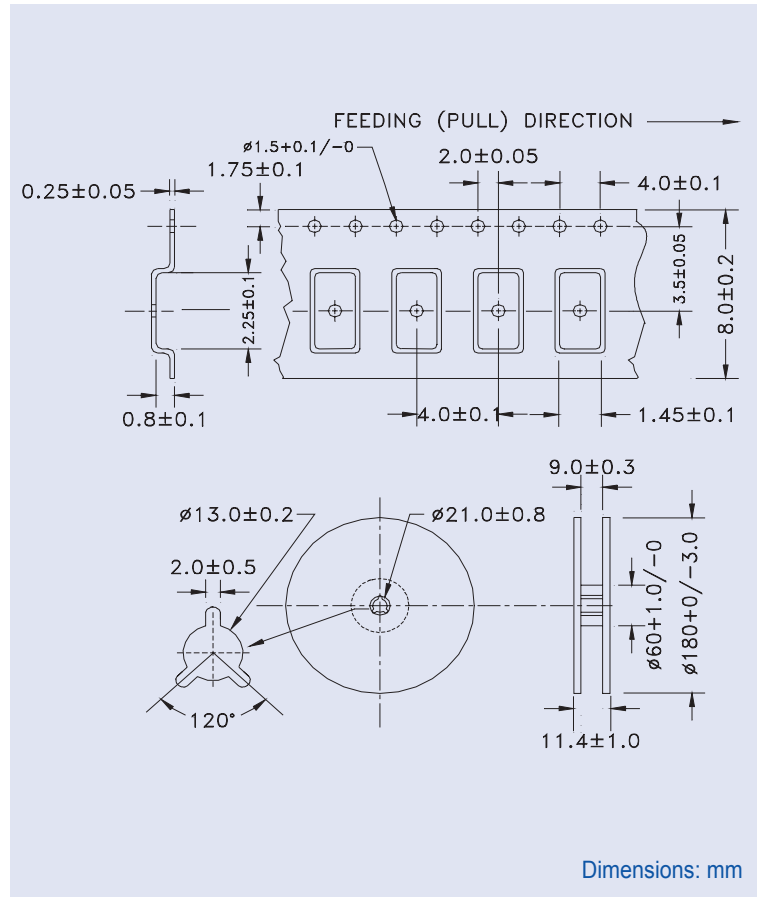
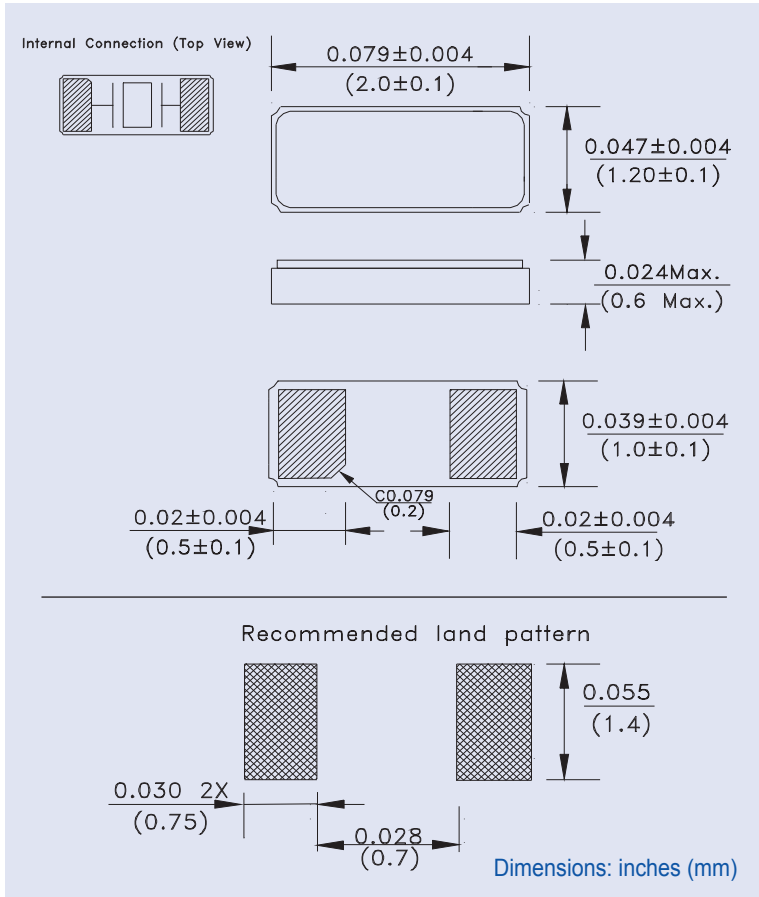
ABS06



2.0 x 1.2 x 0.6mm

OUTLINE DRAWING:

TAPE & REEL: T = Tape and reel 3,000pcs/reel



TAPE & REEL:

