



LPC Firmware Flash/Firmware Hub

49 Series

Product Brief
September 2010

Product Description

LPC Firmware Flash/Firmware Hub is a family of flash memories designed for system code and data storage. SST LPC (Low Pin Count) Flash and Firmware Hub Flash complies with the Intel LPC Interface specification supporting multi-byte Firmware Memory and single-byte LPC Memory cycle types. The low pin count interface allows ASIC host controllers to have more free pins resulting in lower overall system costs.

LPC Firmware Flash/Firmware Hub products are ideally suited for embedded systems and processor applications. Available in an array of package and density combinations, this family of devices also offers all the benefits of SuperFlash® technology: high performance, low power, and reliability.



Key Features

Intel Support

- Compliant with Intel Low Pin Count (LPC) Interface Specification 1.1
- Compatible with Intel 82802 Firmware Hub (FWH) component

High Bandwidth

- Up to 33 MHz operating frequency
- Parallel Programming (PP) for fast production programming
- Unique features for 16Mbit devices
 - 128-byte burst programming
 - Up to 15.6 MB/s data transfer rate
 - Auto Address Increment (AAI)

Protection/Security

- 256-bit secure ID space
- Boot block options
- Hardware write protection

SuperFlash Technology

- Endurance, 100,000 cycles (typical)
- Greater than 100 years data retention
- Fast Sector-Erase and Block-Erase time: 25ms (max)
- Low power



The 49 Series family enables BIOS and system code storage in applications such as embedded PCs, industrial controls, gaming machines, interactive clients, infotainment and medical devices where high bandwidth and a low pin count are required.

Applications

- Embedded System Firmware
- Medical
- Industrial Control
- PC BIOS
- Communications Infrastructure
- Optical Drives
- Print Imaging
- Military Equipment

Silicon Storage Technology, Inc.
1020 Kifer Road
Sunnyvale, CA 94086-5308
Tel: (408) 735-9110
Fax: (408) 735-9036

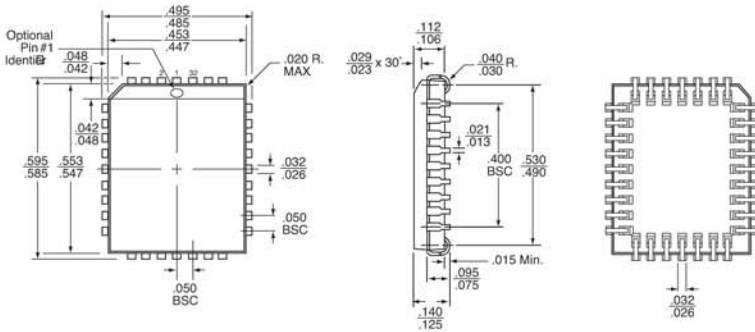
www.SST.com

49 Series: LPC/Firmware Hub Flash

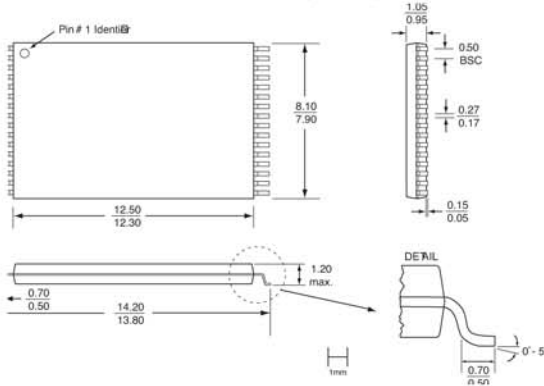
Device	Density	Voltage	Access Frequency (MHz)	Operating Temperature	Operational Mode	Packages
SST49LF008A	8 Mbit	3.0-3.6V	33	0°C to 85°C	FWH/PP	PLCC-32, TSOP-32, TSOP-40
SST49LF080A	8 Mbit	3.0-3.6V	33	0°C to 85°C	LPC/PP	PLCC-32, TSOP-32
SST49LF016C	16 Mbit	3.0-3.6V	33	0°C to 85°C	FWH/AAI	PLCC-32, TSOP-32, TSOP-40
SST49LF160C	16 Mbit	3.0-3.6V	33	0°C to 85°C	LPC/AAI	PLCC-32

Package Diagrams

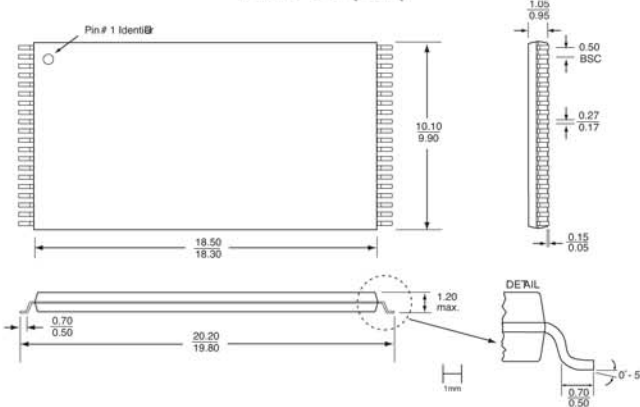
PLCC-32 (NHE)



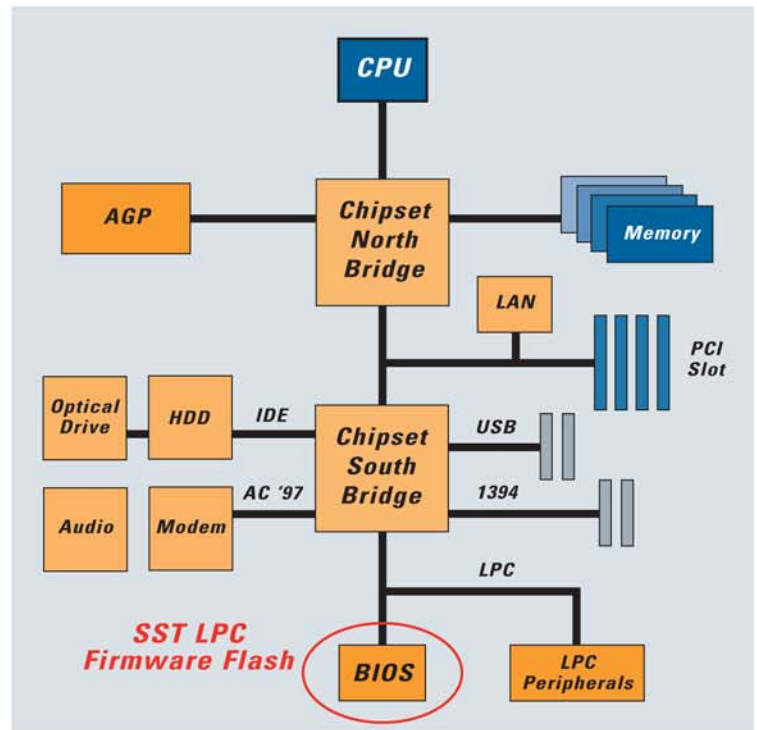
TSOP-32 (WHE)



TSOP-40 (EIE)



Legacy-Free PC Systems



Silicon Storage Technology, Inc.
 1020 Kifer Road
 Sunnyvale, CA 94086-5308
 Tel: (408) 735-9110
 Fax: (408) 735-9036
www.SST.com

For more information please contact your local SST Sales Representative. See the "Sales" page of www.SST.com for complete listings.

© 2010 Silicon Storage Technology, Inc. The SST logo, SST and SuperFlash are registered trademarks of Silicon Storage Technology, Inc. Intel is a trademark of Intel Corporation in the U.S. and other countries. These specifications are subject to change without notice.

Silicon Storage Technology, Inc., a wholly owned subsidiary of Microchip Technology, Inc.