



**CY7C0837AV, CY7C0830AV
CY7C0831AV, CY7C0832AV
CY7C0832BV, CY7C0833AV**

**FLEx18™ 3.3V 64K/128K x 36 and
128K/256K x 18 Synchronous Dual-Port RAM**

Features

- True Dual-Ported Memory Cells that Allow Simultaneous Access of the Same Memory Location
- Synchronous Pipelined Operation
- Family of 512 Kbit, 1 Mbit, 2 Mbit, 4 Mbit, and 9 Mbit Devices
- Pipelined Output Mode Allows Fast Operation
- 0.18 micron CMOS for Optimum Speed and Power
- High Speed Clock to Data Access
- 3.3V Low Power
 - Active as Low as 225 mA (typ)
 - Standby as Low as 55 mA (typ)
- Mailbox Function for Message Passing
- Global Master Reset
- Separate Byte Enables on Both Ports
- Commercial and Industrial Temperature Ranges
- IEEE 1149.1 Compatible JTAG Boundary Scan
- 144-Ball FBGA (13 mm x 13 mm) (1.0 mm pitch)
- 120 TQFP (14 mm x 14 mm x 1.4 mm)
- Pb-Free Packages Available
- Counter Wrap Around Control
 - Internal Mask Register Controls Counter Wrap Around
 - Counter-Interrupt Flags to Indicate Wrap Around
 - Memory Block Retransmit Operation
- Counter Readback on Address Lines
- Mask Register Readback on Address Lines
- Dual Chip Enables on Both Ports for Easy Depth Expansion

Table 1. Product Selection Guide

| Density | 512 Kbit (32K x 18) | 1 Mbit (64K x 18) | 2 Mbit (128K x 18) | 4 Mbit (256K x 18) | | 9 Mbit (512K x 18) |
|---|------------------------|----------------------|-----------------------|-----------------------|---------------------------|-----------------------|
| Part Number | CY7C0837AV | CY7C0830AV | CY7C0831AV | CY7C0832AV | CY7C0832BV ^[1] | CY7C0833AV |
| Maximum Speed (MHz) | 167 | 167 | 167 | 167 | 133 | 133 |
| Maximum Access Time - Clock to Data (ns) | 4.0 | 4.0 | 4.0 | 4.0 | 4.4 | 4.7 |
| Typical Operating Current (mA) | 225 | 225 | 225 | 225 | 225 | 270 |
| Package | 144 FBGA | 120 TQFP 144 FBGA | 120 TQFP 144 FBGA | 120 TQFP 144 FBGA | 120 TQFP | 144 FBGA |

Note

1. CY7C0832AV and CY7C0832BV are functionally identical.

Functional Description

The FLEx18™ family includes 512 Kbit, 1 Mbit, 2 Mbit, 4 Mbit, and 9 Mbit pipelined, synchronous, true dual port static RAMs that are high speed, low power 3.3V CMOS. Two ports are provided, permitting independent, simultaneous access to any location in memory. The result of writing to the same location by more than one port at the same time is undefined. Registers on control, address, and data lines allow for minimal setup and hold time.

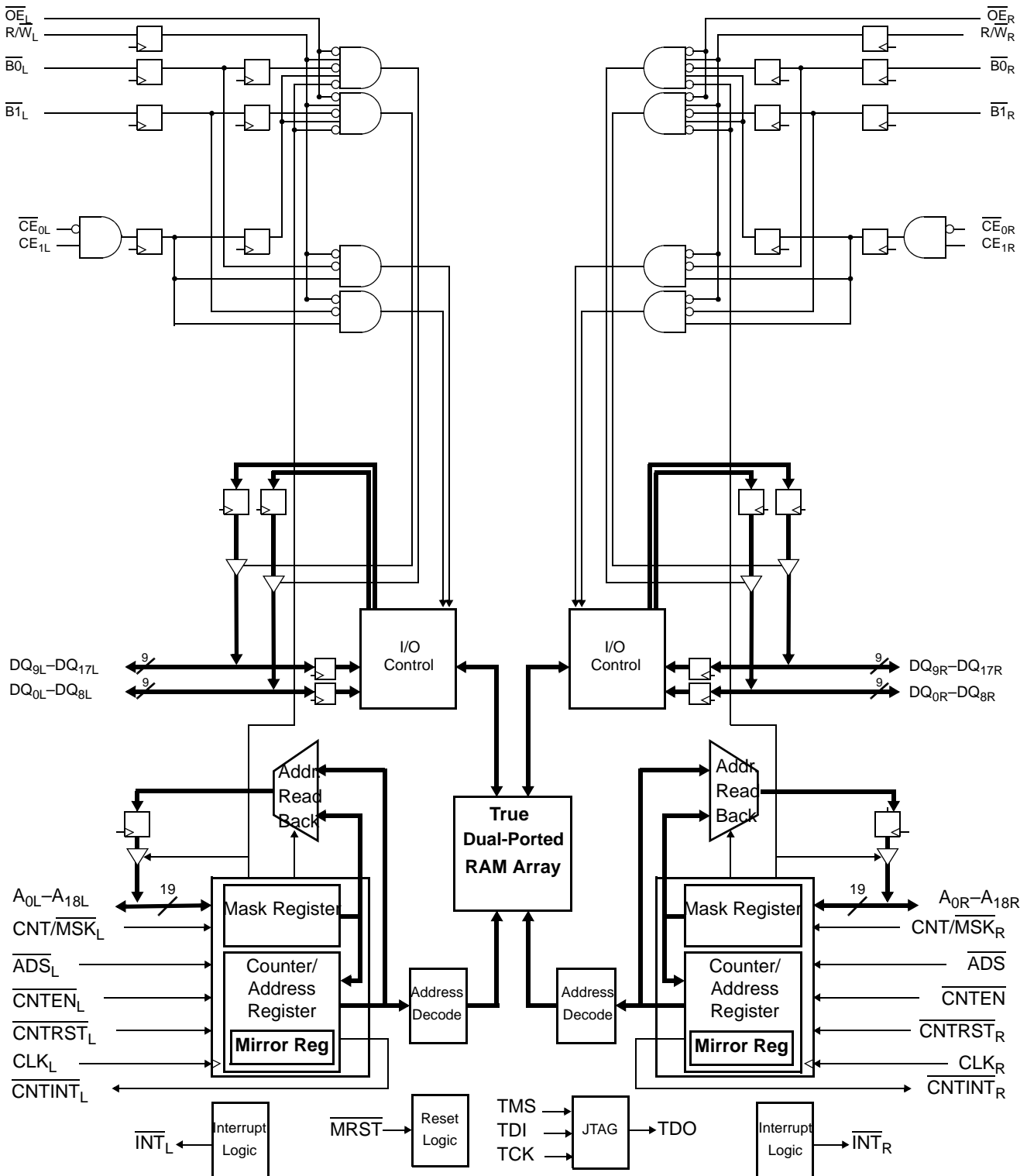
During a Read operation, data is registered for decreased cycle time. Each port contains a burst counter on the input address register. After externally loading the counter with the initial address, the counter increments the address internally (more details to follow). The internal Write pulse width is independent of the duration of the R/W input signal. The internal Write pulse is self-timed to allow the shortest possible cycle times.

A HIGH on $\overline{CE0}$ or LOW on CE1 for one clock cycle powers down the internal circuitry to reduce the static power consumption. One cycle with chip enables asserted is required to reactivate the outputs.

Additional features include: readback of burst-counter internal address value on address lines, counter-mask registers to control the counter wrap around, counter interrupt (CNTINT) flags, readback of mask register value on address lines, retransmit functionality, interrupt flags for message passing, JTAG for boundary scan, and asynchronous Master Reset (MRST).

The CY7C0833AV device in this family has limited features. See [Address Counter and Mask Register Operations](#) ^[16] on page 6 for details.

Logic Block Diagram [2]



Note

2. CY7C0837AV has 15 address bits, CY7C0830AV has 16 address bits, CY7C0831AV has 17 address bits, CY7C0832AV/CY7C0832BV has 18 address bits and CY7C0833AV has 19 address bits.

Pin Configurations

Figure 1. 144-Ball BGA (Top View)

CY7C0837AV / CY7C0830AV / CY7C0831AV / CY7C0832AV / CY7C0833AV

| | 1 | 2 | 3 | 4 | 5 | 6 | 7 | 8 | 9 | 10 | 11 | 12 |
|---|-------------------------|-------------------------|--|------------------------------------|--|---|---|--|------------------------------------|--|-------------------------|-------------------------|
| A | DQ17 _L | DQ16 _L | DQ14 _L | DQ12 _L | DQ10 _L | DQ9 _L | DQ9 _R | DQ10 _R | DQ12 _R | DQ14 _R | DQ16 _R | DQ17 _R |
| B | A0 _L | A1 _L | DQ15 _L | DQ13 _L | DQ11 _L | $\overline{\text{MRST}}$ | NC | DQ11 _R | DQ13 _R | DQ15 _R | A1 _R | A0 _R |
| C | A2 _L | A3 _L | CE1 _L [7] | $\overline{\text{INT}}_{\text{L}}$ | $\overline{\text{CNTINT}}_{\text{L}}$ [9] | $\overline{\text{ADS}}_{\text{L}}$ [8] | $\overline{\text{ADS}}_{\text{R}}$ [8] | $\overline{\text{CNTINT}}_{\text{R}}$ [9] | $\overline{\text{INT}}_{\text{R}}$ | CE1 _R [7] | A3 _R | A2 _R |
| D | A4 _L | A5 _L | $\overline{\text{CE}}_{\text{0L}}$ [8] | NC | VDD | VDD | VDD | VDD | NC | $\overline{\text{CE}}_{\text{0R}}$ [8] | A5 _R | A4 _R |
| E | A6 _L | A7 _L | $\overline{\text{B}}_{\text{1L}}$ | NC | VDD | VSS | VSS | VDD | NC | $\overline{\text{B}}_{\text{1R}}$ | A7 _R | A6 _R |
| F | A8 _L | A9 _L | C _L | NC | VSS | VSS | VSS | VSS | NC | C _R | A9 _R | A8 _R |
| G | A10 _L | A11 _L | $\overline{\text{B}}_{\text{0L}}$ | NC | VSS | VSS | VSS | VSS | NC | $\overline{\text{B}}_{\text{0R}}$ | A11 _R | A10 _R |
| H | A12 _L | A13 _L | $\overline{\text{OE}}_{\text{L}}$ | NC | VDD | VSS | VSS | VDD | NC | $\overline{\text{OE}}_{\text{R}}$ | A13 _R | A12 _R |
| J | A14 _L | A15 _L [3] | $\overline{\text{RW}}_{\text{L}}$ | NC | VDD | VDD | VDD | VDD | NC | $\overline{\text{RW}}_{\text{R}}$ | A15 _R [3] | A14 _R |
| K | A16 _L [4] | A17 _L [5] | $\overline{\text{CNT}}_{\text{M}}\overline{\text{SK}}_{\text{L}}$ [7] | TDO | $\overline{\text{CNTRST}}_{\text{L}}$ [7] | TCK | TMS | $\overline{\text{CNTRST}}_{\text{R}}$ [7] | TDI | $\overline{\text{CNT}}_{\text{M}}\overline{\text{SK}}_{\text{R}}$ [7] | A17 _R [5] | A16 _R [4] |
| L | A18 _L [6] | NC | DQ6 _L | DQ4 _L | DQ2 _L | $\overline{\text{CNTEN}}_{\text{L}}$ [8] | $\overline{\text{CNTEN}}_{\text{R}}$ [8] | DQ2 _R | DQ4 _R | DQ6 _R | NC | A18 _R [6] |
| M | DQ8 _L | DQ7 _L | DQ5 _L | DQ3 _L | DQ1 _L | DQ0 _L | DQ0 _R | DQ1 _R | DQ3 _R | DQ5 _R | DQ7 _R | DQ8 _R |

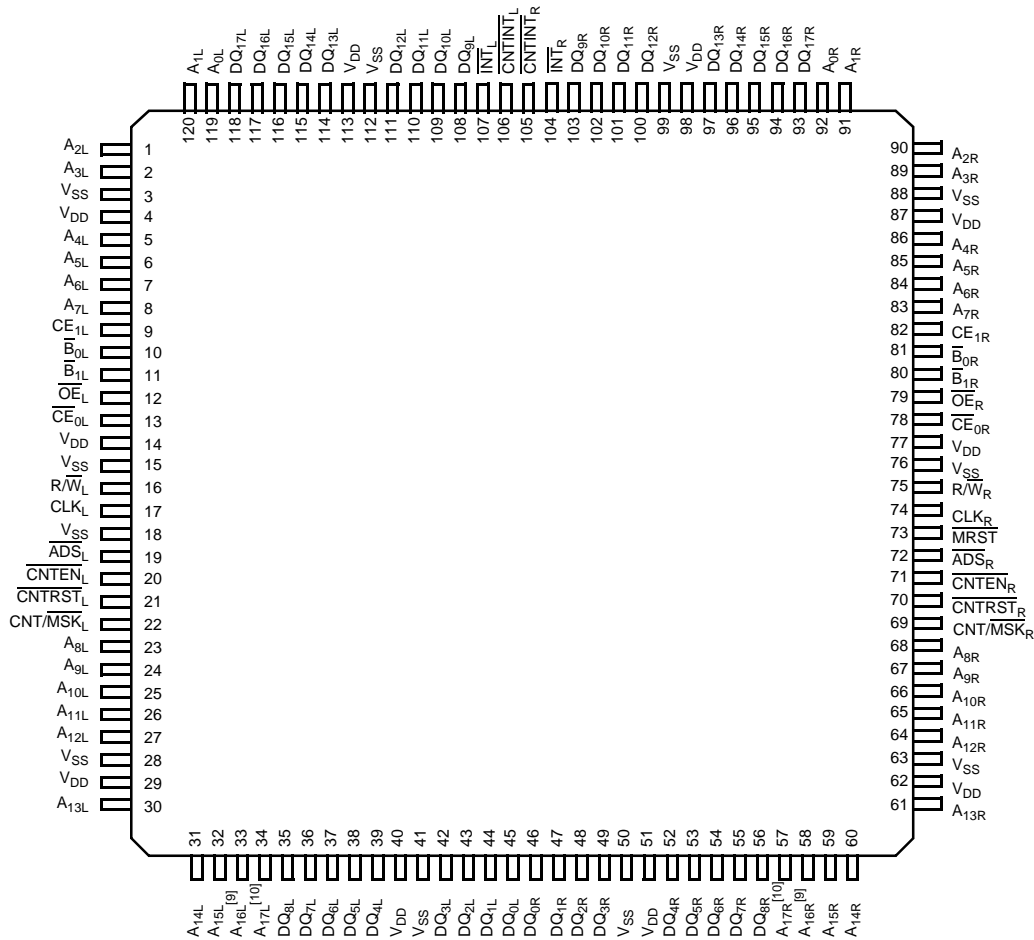
Notes

- Leave this ball unconnected for CY7C0837AV.
- Leave this ball unconnected for CY7C0837AV and CY7C0830AV.
- Leave this ball unconnected for CY7C0837AV, CY7C0830AV and CY7C0831AV.
- Leave this ball unconnected for CY7C0837AV, CY7C0830AV, CY7C0831AV, and CY7C0832AV.
- These balls are not applicable for CY7C0833AV device. They must be tied to VDD.
- These balls are not applicable for CY7C0833AV device. They must be tied to VSS.
- These balls are not applicable for CY7C0833AV device. They must not be connected.

Pin Configurations

Figure 2. 120-Pin Thin Quad Flat Pack (TQFP) (Top View)

CY7C0830AV / CY7C0831AV / CY7C0832AV / CY7C0832BV



Notes

- 10. Leave this pin unconnected for CY7C0830AV.
- 11. Leave this pin unconnected for CY7C0830AV and CY7C0831AV.

Pin Definitions

| Left Port | Right Port | Description |
|--|--|---|
| A _{0L} -A _{18L} ^[2] | A _{0R} -A _{18R} ^[2] | Address Inputs. |
| ADS _L ^[8] | ADS _R ^[8] | Address Strobe Input. Used as an address qualifier. This signal should be asserted LOW for the part using the externally supplied address on the address pins and for loading this address into the burst address counter. |
| CE _{0L} ^[8] | CE _{0R} ^[8] | Active LOW Chip Enable Input. |
| CE _{1L} ^[7] | CE _{1R} ^[7] | Active HIGH Chip Enable Input. |
| CLK _L | CLK _R | Clock Signal. Maximum clock input rate is f _{MAX} . |
| CNTEN _L ^[8] | CNTEN _R ^[8] | Counter Enable Input. Asserting this signal LOW increments the burst address counter of its respective port on each rising edge of CLK. The increment is disabled if ADS or CNTRST are asserted LOW. |
| CNTRST _L ^[7] | CNTRST _R ^[7] | Counter Reset Input. Asserting this signal LOW resets to zero the unmasked portion of the burst address counter of its respective port. CNTRST is not disabled by asserting ADS or CNTEN. |
| CNT/MSK _L ^[7] | CNT/MSK _R ^[7] | Address Counter Mask Register Enable Input. Asserting this signal LOW enables access to the mask register. When tied HIGH, the mask register is not accessible and the address counter operations are enabled based on the status of the counter control signals. |
| DQ _{0L} -DQ _{17L} | DQ _{0R} -DQ _{17R} | Data Bus Input/Output. |
| OE _L | OE _R | Output Enable Input. This asynchronous signal must be asserted LOW to enable the DQ data pins during Read operations. |
| INT _L | INTR | Mailbox Interrupt Flag Output. The mailbox permits communications between ports. The upper two memory locations are used for message passing. INT _L is asserted LOW when the right port writes to the mailbox location of the left port, and vice versa. An interrupt to a port is deasserted HIGH when it reads the contents of its mailbox. |
| CNTINT _L ^[9] | CNTINT _R ^[9] | Counter Interrupt Output. This pin is asserted LOW when the unmasked portion of the counter is incremented to all '1s.' |
| R/W _L | R/W _R | Read/Write Enable Input. Assert this pin LOW to write to, or HIGH to Read from the dual port memory array. |
| B _{0L} -B _{1L} | B _{0R} -B _{1R} | Byte Select Inputs. Asserting these signals enables Read and Write operations to the corresponding bytes of the memory array. |
| MRST | | Master Reset Input. MRST is an asynchronous input signal and affects both ports. Asserting MRST LOW performs all of the reset functions as described in the text. A MRST operation is required at power up. |
| TMS | | JTAG Test Mode Select Input. It controls the advance of JTAG TAP state machine. State machine transitions occur on the rising edge of TCK. |
| TDI | | JTAG Test Data Input. Data on the TDI input is shifted serially into selected registers. |
| TCK | | JTAG Test Clock Input. |
| TDO | | JTAG Test Data Output. TDO transitions occur on the falling edge of TCK. TDO is normally three-stated except when captured data is shifted out of the JTAG TAP. |
| V _{SS} | | Ground Inputs. |
| V _{DD} | | Power Inputs. |

Byte Select Operation

| Control Pin | Effect |
|----------------|---------------------------------|
| B ₀ | DQ ₀₋₈ Byte Control |
| B ₁ | DQ ₉₋₁₇ Byte Control |

Master Reset

The FLE_x18 family devices undergo a complete reset by taking its MRST input LOW. The MRST input can switch asynchronously to the clocks. An MRST initializes the internal burst counters to zero, and the counter mask registers to all ones (completely unmasked). MRST also forces the Mailbox Interrupt (INT) flags and the Counter Interrupt (CNTINT) flags HIGH. MRST must be performed on the FLE_x18 family devices after power up.

Mailbox Interrupts

The upper two memory locations may be used for message passing and permit communications between ports. Table 2 shows the interrupt operation for both ports of CY7C0833AV. The highest memory location, 7FFFF is the mailbox for the right port and 7FFFE is the mailbox for the left port. Table 2 shows that to set the INT_R flag, a Write operation by the left port to address 7FFFF asserts INT_R LOW. At least one byte has to be active for a Write to generate an interrupt. A valid Read of the 7FFFF location by the right port resets INT_R HIGH. At least one byte must be active for a Read to reset the interrupt. When one port Writes to the other port's mailbox, the INT of the port that the mailbox belongs to is asserted LOW. The INT is reset when the owner (port) of the mailbox Reads the contents of the mailbox. The interrupt flag is set in a flow-through mode (that is, it follows the clock edge of the writing port). Also, the flag is reset in a flow-through mode (that is, it follows the clock edge of the reading port).

Each port can read the other port's mailbox without resetting the interrupt. And each port can write to its own mailbox without setting the interrupt. If an application does not require message passing, INT pins should be left open.

Address Counter and Mask Register Operations ^[16]

This section describes the features only apply to 512 Kbit, 1 Mbit, 2 Mbit, and 4 Mbit devices. It does not apply to 9 Mbit device. Each port of these devices has a programmable burst address counter. The burst counter contains three registers: a counter register, a mask register, and a mirror register.

Table 2. Interrupt Operation Example ^[2, 12, 13, 14, 15, 17]

| FUNCTION | LEFT PORT | | | | RIGHT PORT | | | |
|-----------------------------------|------------------|-----------------|-----------------------------------|------------------|------------------|-----------------|-----------------------------------|------------------|
| | R/W _L | CE _L | A _{0L} -A _{18L} | INT _L | R/W _R | CE _R | A _{0R} -A _{18R} | INT _R |
| Set Right INT _R Flag | L | L | 3FFFF | X | X | X | X | L |
| Reset Right INT _R Flag | X | X | X | X | H | L | 3FFFF | H |
| Set Left INT _L Flag | X | X | X | L | L | L | 3FFFE | X |
| Reset Left INT _L Flag | H | L | 3FFFE | H | X | X | X | X |
| Set Right INT _R Flag | L | L | 3FFFF | X | X | X | X | L |

Notes

12. CE is internal signal. CE = LOW if CE₀ = LOW and CE₁ = HIGH. For a single Read operation, CE only needs to be asserted once at the rising edge of the CLK and can be deasserted after that. Data is out after the following CLK edge and is three-stated after the next CLK edge.
13. OE is "Don't Care" for mailbox operation.
14. At least one of BE₀, BE₁ must be LOW.
15. A18x is a NC for CY7C0832AV/CY7C0832BV, therefore the Interrupt Addresses are 3FFFF and 3FFFE. A18x and A17x are NC for CY7C0831AV, therefore the Interrupt addresses are 1FFFF and 1FFFE; A18x, A17x and A16x are NC for CY7C0830AV, therefore the Interrupt Addresses are FFFF and FFFE; A18x, A17x, A16x and A15x are NC for CY7C0837AV, therefore the Interrupt Addresses are 7FFF and 7FFE.
16. This section describes the CY7C0832AV/CY7C0832BV, CY7C0831AV, CY7C0830AV and CY7C0837AV having 18, 17, 16 and 15 address bits.
17. "X" = "Don't Care," "H" = HIGH, "L" = LOW.

The **counter register** contains the address used to access the RAM array. It is changed only by the Counter Load, Increment, Counter Reset, and by master reset (MRST) operations.

The **mask register** value affects the Increment and Counter Reset operations by preventing the corresponding bits of the counter register from changing. It also affects the counter interrupt output (CNTINT). The mask register is changed only by the Mask Load and Mask Reset operations and by the MRST. The mask register defines the counting range of the counter register. It divides the counter register into two regions: zero or more '0s' in the most significant bits define the masked region, one or more '1s' in the least significant bits define the unmasked region. Bit 0 may also be '0,' masking the least significant counter bit and causing the counter to increment by two instead of one.

The **mirror register** is used to reload the counter register on increment operations (see Retransmit on page 8). It always contains the value last loaded into the counter register, and is changed only by the Counter Load, and by the MRST instructions. Table 3 on page 7 summarizes the operation of these registers and the required input control signals. The MRST control signal is asynchronous. All the other control signals in Table 3 on page 7 (CNT/MSK, CNTRST, ADS, CNTEN) are synchronized to the port's CLK. All these counter and mask operations are independent of the port's chip enable inputs (CE₀ and CE₁).

Counter enable (CNTEN) inputs are provided to stall the operation of the address input and use the internal address generated by the internal counter for fast, interleaved memory applications. A port's burst counter is loaded when the port's address strobe (ADS) and CNTEN signals are LOW. When the port's CNTEN is asserted and the ADS is deasserted, the address counter increments on each LOW to HIGH transition of that port's clock signal. This reads and writes one word from and to each successive address location until CNTEN is deasserted. The counter can address the entire memory array, and loops back to the start. Counter reset (CNTRST) is used to reset the unmasked portion of the burst counter to I/0s. A counter-mask register is used to control the counter wrap.

Counter Reset Operation

All unmasked bits of the counter are reset to '0.' All masked bits remain unchanged. The mirror register is loaded with the value of the burst counter. A Mask Reset followed by a Counter Reset resets the counter and mirror registers to 00000, as does master reset (MRST).

Counter Load Operation

The address counter and mirror registers are both loaded with the address value presented at the address lines.

Counter Increment Operation

When the address counter register is initially loaded with an external address, the counter can internally increment the address value, potentially addressing the entire memory array. Only the unmasked bits of the counter register are incremented. The corresponding bit in the mask register must be a '1' for a counter bit to change. The counter register is incremented by 1 if the least significant bit is unmasked, and by 2 if it is masked. If all unmasked bits are '1,' the next increment wraps the counter back to the initially loaded value. If an Increment results in all the unmasked bits of the counter being '1s,' a counter interrupt flag (CNTINT) is asserted. The next Increment returns the counter register to its initial value, which was stored in the mirror register. The counter address can instead be forced to loop to 00000 by externally connecting CNTINT to CNTRST.^[19] An increment that results in one or more of the unmasked bits of the counter being '0' deasserts the counter interrupt flag. The example in Figure 4 on page 10 shows the counter mask register loaded with a mask value of 0003Fh unmasking the first 6 bits with bit '0' as the LSB and bit '16' as the MSB. The maximum value the mask register can be loaded with is 3FFFFh. Setting the mask register to this value allows the counter to access the entire memory space. The

address counter is then loaded with an initial value of 8h. The base address bits (in this case, the 6th address through the 16th address) are loaded with an address value but do not increment after the counter is configured for increment operation. The counter address starts at address 8h. The counter increments its internal address value until it reaches the mask register value of 3Fh. The counter wraps around the memory block to location 8h at the next count. CNTINT is issued when the counter reaches its maximum value

Counter Hold Operation

The value of all three registers can be constantly maintained unchanged for an unlimited number of clock cycles. Such operation is useful in applications where wait states are needed, or when address is available a few cycles ahead of data in a shared bus interface.


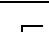
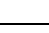
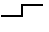

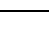
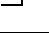
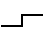

Counter Interrupt

The counter interrupt (CNTINT) is asserted LOW when an increment operation results in the unmasked portion of the counter register being all '1s.' It is deasserted HIGH when an Increment operation results in any other value. It is also de-asserted by Counter Reset, Counter Load, Mask Reset and Mask Load operations, and by MRST.

Counter Readback Operation

The internal value of the counter register can be read out on the address lines. Readback is pipelined; the address is valid t_{CA2} after the next rising edge of the port's clock. If address readback occurs while the port is enabled (CE0 LOW and CE1 HIGH), the data lines (DQs) are three-stated. Figure 3 on page 9 shows a block diagram of the operation.

Table 3. Address Counter and Counter-Mask Register Control Operation (Any Port) ^[17, 18]

| CLK | MRST | CNT/MSK | CNTRST | ADS | CNTEN | Operation | Description |
|---|------|---------|--------|-----|-------|-------------------|--|
| X | L | X | X | X | X | Master Reset | Reset address counter to all 0s and mask register to all 1s. |
|  | H | H | L | X | X | Counter Reset | Reset counter unmasked portion to all 0s. |
|  | H | H | H | L | L | Counter Load | Load counter with external address value presented on address lines. |
|  | H | H | H | L | H | Counter Readback | Read out counter internal value on address lines. |
|  | H | H | H | H | L | Counter Increment | Internally increment address counter value. |
|  | H | H | H | H | H | Counter Hold | Constantly hold the address value for multiple clock cycles. |
|  | H | L | L | X | X | Mask Reset | Reset mask register to all 1s. |
|  | H | L | H | L | L | Mask Load | Load mask register with value presented on the address lines. |
|  | H | L | H | L | H | Mask Readback | Read out mask register value on address lines. |
|  | H | L | H | H | X | Reserved | Operation undefined |

Notes

18. Counter operation and mask register operation is independent of chip enables.

19. CNTINT and CNTRST specs are guaranteed by design to operate properly at speed grade operating frequency when tied together.

Retransmit

Retransmit is a feature that allows the Read of a block of memory more than once without the need to reload the initial address. This eliminates the need for external logic to store and route data. It also reduces the complexity of the system design and saves board space. An internal mirror register is used to store the initially loaded address counter value. When the counter unmasked portion reaches its maximum value set by the mask register, it wraps back to the initial value stored in this mirror register. If the counter is continuously configured in increment mode, it increments again to its maximum value and wraps back to the value initially stored into the mirror register. Thus, the repeated access of the same data is allowed without the need for any external logic.

Mask Reset Operation

The mask register is reset to all '1s,' which unmask every bit of the counter. Master reset (MRST) also resets the mask register to all '1s'.

Mask Load Operation

The mask register is loaded with the address value presented at the address lines. Not all values permit correct increment operations. Permitted values are of the form $2^n - 1$ or $2^n - 2$. From the most significant bit to the least significant bit, permitted values have zero or more '0s,' one or more '1s,' or one '0.' Thus 3FFFF, 003FE, and 00001 are permitted values, but 3F0FF, 003FC, and 00000 are not.

Mask Readback Operation

The internal value of the mask register can be read out on the address lines. Readback is pipelined; the address is valid t_{CM2} after the next rising edge of the port's clock. If mask readback occurs while the port is enabled (CE0 LOW and CE1 HIGH), the data lines (DQs) is three-stated. Figure 3 on page 9 shows a block diagram of the operation.

Counting by Two

When the least significant bit of the mask register is '0,' the counter increments by two. This may be used to connect the x18 devices as a 36-bit single port SRAM in which the counter of one port counts even addresses and the counter of the other port counts odd addresses. This even-odd address scheme stores one half of the 36-bit data in even memory locations, and the other half in odd memory locations.

Figure 3. Counter, Mask, and Mirror Logic Block Diagram ^[1]

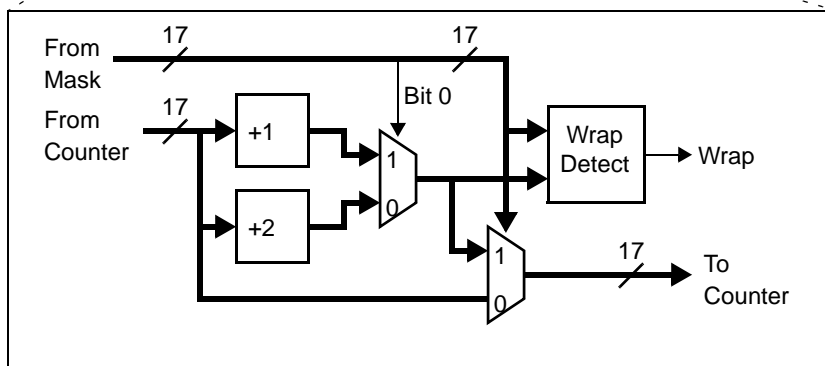
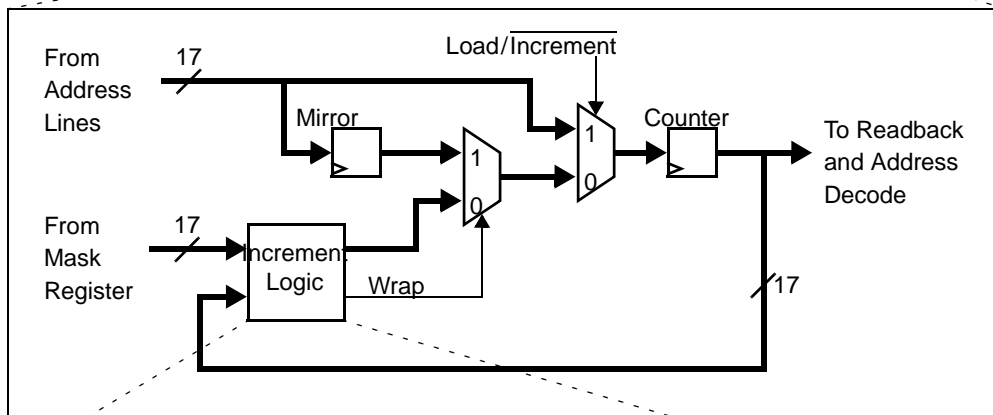
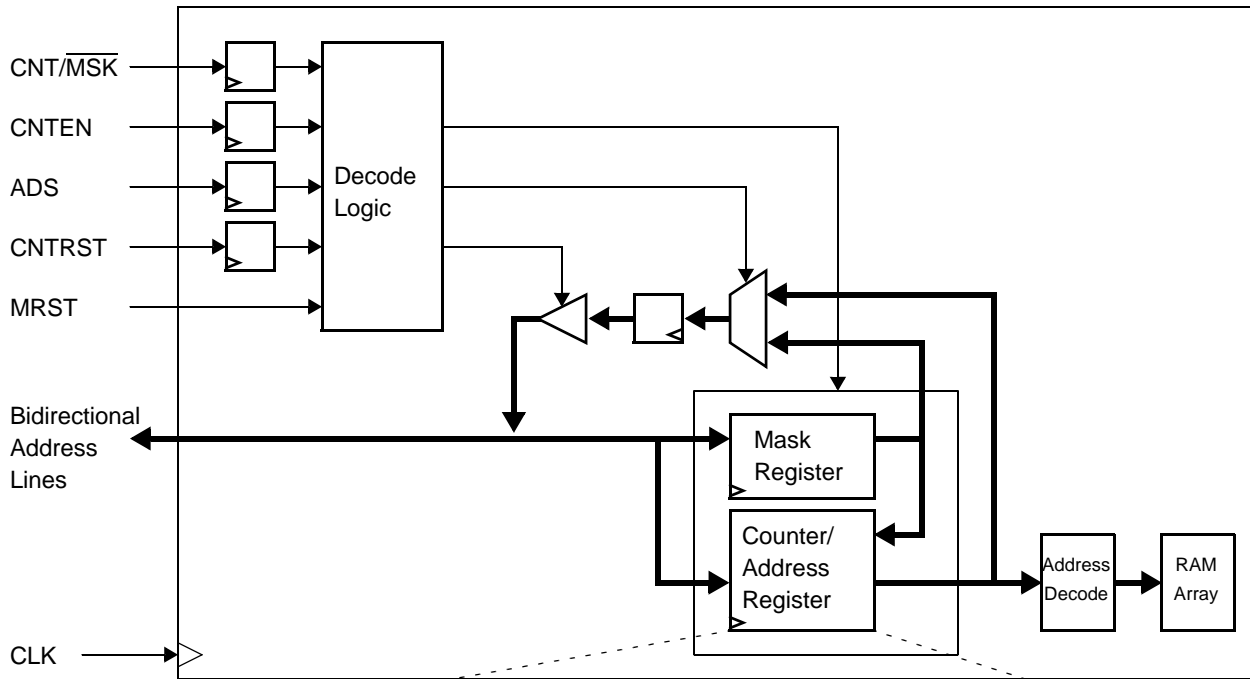
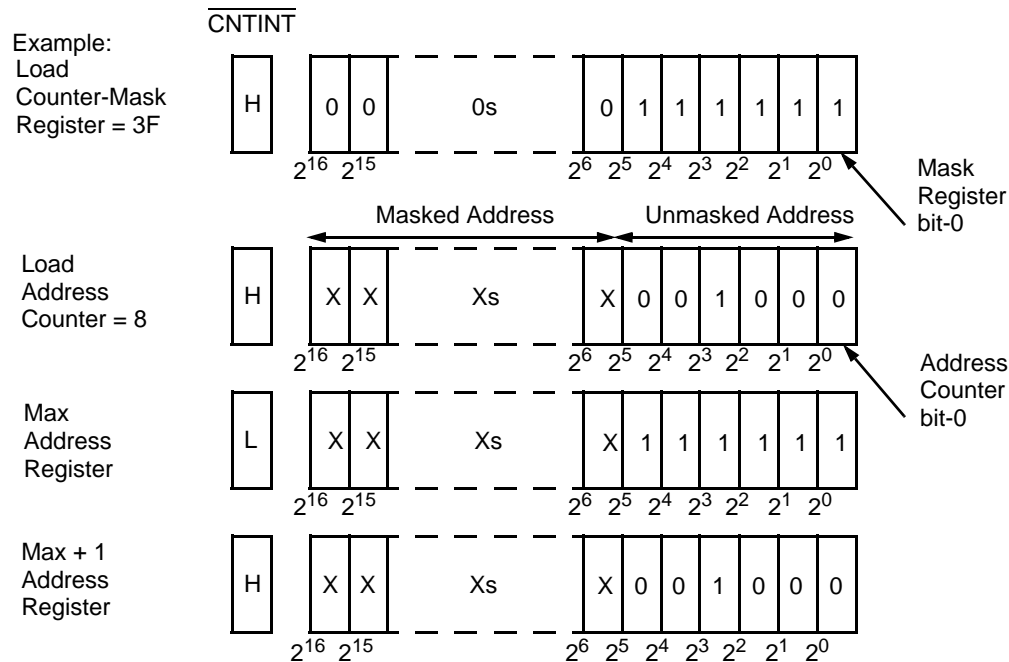


Figure 4. Programmable Counter-Mask Register Operation [2, 20]



IEEE 1149.1 Serial Boundary Scan (JTAG) [21]

The FLEx18 family devices incorporate an IEEE 1149.1 serial boundary scan test access port (TAP). The TAP controller functions in a manner that does not conflict with the operation of other devices using 1149.1 compliant TAPs. The TAP operates using JEDEC-standard 3.3V I/O logic levels. It is composed of three input connections and one output connection required by the test logic defined by the standard.

Performing a TAP Reset

A reset is performed by forcing TMS HIGH (V_{DD}) for five rising edges of TCK. This reset does not affect the operation of the devices, and may be performed while the device is operating. An MRST must be performed on the devices after power up.

Performing a Pause/Restart

When a SHIFT-DR PAUSE-DR SHIFT-DR is performed the scan chain outputs the next bit in the chain twice. For example, if the value expected from the chain is 1010101, the device outputs a 11010101. This extra bit causes some testers to report an erroneous failure for the devices in a scan test. Therefore the tester should be configured to never enter the PAUSE-DR state.

Boundary Scan Hierarchy for 9-Mbit Device

Internally, the CY7C0833AV have two DIEs. Each DIE contain all the circuitry required to support boundary scan testing. The circuitry includes the TAP, TAP controller, instruction register, and data registers. The circuitry and operation of the DIE boundary scan are described in detail below. The scan chain of each DIE are connected serially to form the scan chain of the CY7C0833AV as shown in Figure 5 on page 11. TMS and TCK are connected in parallel to each DIE to drive all TAP controllers in unison. In many cases, each DIE is supplied with the same instruction. In other cases, it might be useful to supply different instructions to each DIE. One example would be testing the device ID of one DIE while bypassing the others.

Each pin of FLEx18 family is typically connected to multiple DIEs. For connectivity testing with the EXTEST instruction, it is desirable to check the internal connections between DIEs and the external connections to the package. This is accomplished by merging the netlist of the devices with the netlist of the user's circuit board. To facilitate boundary scan testing of the devices, Cypress provides the BSDL file for each DIE, the internal netlist of the device, and a description of the device scan chain. The user can use these materials to easily integrate the devices into the board's boundary scan environment. Further information is found in the Cypress application note [Using JTAG Boundary Scan For System in a Package \(SIP\) Dual-Port SRAMs](#).

Notes

20. The "X" in this diagram represents the counter upper bits

21. Boundary scan is IEEE 1149.1-compatible. See [Performing a Pause/Restart](#) on page 10 for deviation from strict 1149.1 compliance

Figure 5. Scan Chain for 9 Mb Device

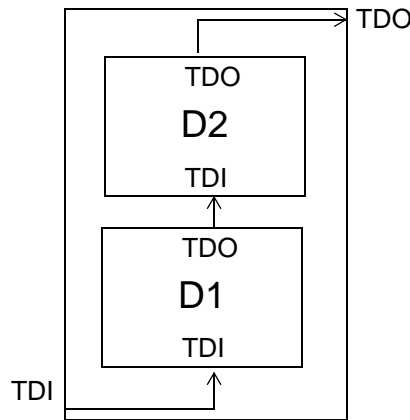


Table 4. Identification Register Definitions

| Instruction Field | Value | Description |
|---------------------------|-------|--|
| Revision Number (31:28) | 0h | Reserved for version number. |
| Cypress Device ID (27:12) | C090h | Defines Cypress part number for CY7C0832AV/CY7C0832BV |
| | C091h | Defines Cypress part number for CY7C0831AV |
| | C093h | Defines Cypress part number for CY7C0830AV |
| | C094h | Defines Cypress part number for CY7C0837AV. |
| Cypress JEDEC ID (11:1) | 034h | Allows unique identification of the DP family device vendor. |
| ID Register Presence (0) | 1 | Indicates the presence of an ID register. |

Table 5. Scan Registers Sizes

| Register Name | Bit Size |
|----------------|-------------------|
| Instruction | 4 |
| Bypass | 1 |
| Identification | 32 |
| Boundary Scan | n ^[22] |

Table 6. Instruction Identification Codes

| Instruction | Code | Description |
|----------------|-----------------|---|
| EXTEST | 0000 | Captures the Input/Output ring contents. Places the BSR between the TDI and TDO. |
| BYPASS | 1111 | Places the BYR between TDI and TDO. |
| IDCODE | 1011 | Loads the IDR with the vendor ID code and places the register between TDI and TDO. |
| HIGHZ | 0111 | Places BYR between TDI and TDO. Forces all device output drivers to a High-Z state. |
| CLAMP | 0100 | Controls boundary to 1/0. Places BYR between TDI and TDO. |
| SAMPLE/PRELOAD | 1000 | Captures the input/output ring contents. Places BSR between TDI and TDO. |
| NBSRST | 1100 | Resets the non-boundary scan logic. Places BYR between TDI and TDO. |
| RESERVED | All other codes | Other combinations are reserved. Do not use other than the above. |

Note
 22. See details in the device BSDL file.

Maximum Ratings

Exceeding maximum ratings^[23] may impair the useful life of the device. These user guidelines are not tested.

Storage Temperature..... -65°C to +150°C

Ambient Temperature with

Power Applied -55°C to +125°C

Supply Voltage to Ground Potential.....-0.5V to +4.6V

DC Voltage Applied to

Outputs in High-Z State -0.5V to $V_{DD} + 0.5V$

DC Input Voltage -0.5V to $V_{DD} + 0.5V$ ^[24]

Output Current into Outputs (LOW)..... 20 mA

Static Discharge Voltage..... > 2000V

(JEDEC JESD22-A114-2000B)

Latch Up Current > 200 mA

Operating Range

| Range | Ambient Temperature | V_{DD} |
|------------|---------------------|-------------|
| Commercial | 0°C to +70°C | 3.3V±165 mV |
| Industrial | -40°C to +85°C | 3.3V±165 mV |

Electrical Characteristics

Over the Operating Range

| Parameter | Description | -167 | | | -133 | | | -100 | | | Unit | |
|---------------------------|--|--|-----|-----|------|-----|-----|------|-----|-----|------|----|
| | | Min | Typ | Max | Min | Typ | Max | Min | Typ | Max | | |
| V_{OH} | Output HIGH Voltage ($V_{DD} = \text{Min.}$, $I_{OH} = -4.0 \text{ mA}$) | 2.4 | | | 2.4 | | | 2.4 | | | V | |
| V_{OL} | Output LOW Voltage ($V_{DD} = \text{Min.}$, $I_{OL} = +4.0 \text{ mA}$) | | | 0.4 | | | 0.4 | | | 0.4 | V | |
| V_{IH} | Input HIGH Voltage | 2.0 | | | 2.0 | | | 2.0 | | | V | |
| V_{IL} | Input LOW Voltage | | | 0.8 | | | 0.8 | | | 0.8 | V | |
| I_{OZ} | Output Leakage Current | -10 | | 10 | -10 | | 10 | -10 | | 10 | μA | |
| I_{IX1} | Input Leakage Current Except TDI, TMS, MRST | -10 | | 10 | -10 | | 10 | -10 | | 10 | μA | |
| I_{IX2} | Input Leakage Current TDI, TMS, MRST | -0.1 | | 1.0 | -0.1 | | 1.0 | -0.1 | | 1.0 | mA | |
| I_{CC} | Operating Current for ($V_{DD} = \text{Max.}$, $I_{OUT} = 0 \text{ mA}$), Outputs Disabled | CY7C0837AV CY7C0830AV CY7C0831AV CY7C0832AV CY7C0832BV | | 225 | 300 | | 225 | 300 | | | | mA |
| | | CY7C0833AV | | | | | 270 | 400 | | 200 | 310 | mA |
| I_{SB1} ^[25] | Standby Current (Both Ports TTL Level) CE_L and $CE_R \geq V_{IH}$, $f = f_{MAX}$ | | 90 | 115 | | 90 | 115 | | 90 | 115 | mA | |
| I_{SB2} ^[25] | Standby Current (One Port TTL Level) $CE_L CE_R \geq V_{IH}$, $f = f_{MAX}$ | | 160 | 210 | | 160 | 210 | | 160 | 210 | mA | |
| I_{SB3} ^[25] | Standby Current (Both Ports CMOS Level) CE_L and $CE_R \geq V_{DD} - 0.2V$, $f = 0$ | | 55 | 75 | | 55 | 75 | | 55 | 75 | mA | |
| I_{SB4} ^[25] | Standby Current (One Port CMOS Level) $CE_L CE_R \geq V_{IH}$, $f = f_{MAX}$ | | 160 | 210 | | 160 | 210 | | 160 | 210 | mA | |
| I_{SB5} | Operating Current ($V_{DD} = \text{Max.}$, $I_{OUT} = 0 \text{ mA}$, $f = 0$) Outputs Disabled | | | | | 70 | 100 | | 70 | 100 | mA | |

Capacitance

| Part Number ^[26] | Parameter | Description | Test Conditions | Max | Unit |
|---|-----------|--------------------|--|-----|------|
| CY7C0837AV/CY7C0830AV/CY7C0831AV CY7C0832AV/CY7C0832BV | C_{IN} | Input Capacitance | $T_A = 25^\circ\text{C}$, $f = 1 \text{ MHz}$, $V_{DD} = 3.3V$ | 13 | pF |
| | C_{OUT} | Output Capacitance | | 10 | pF |
| CY7C0833AV | C_{IN} | Input Capacitance | | 22 | pF |
| | C_{OUT} | Output Capacitance | | 20 | pF |

Notes

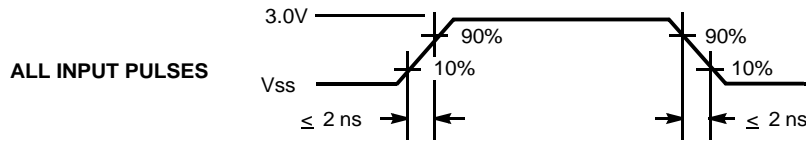
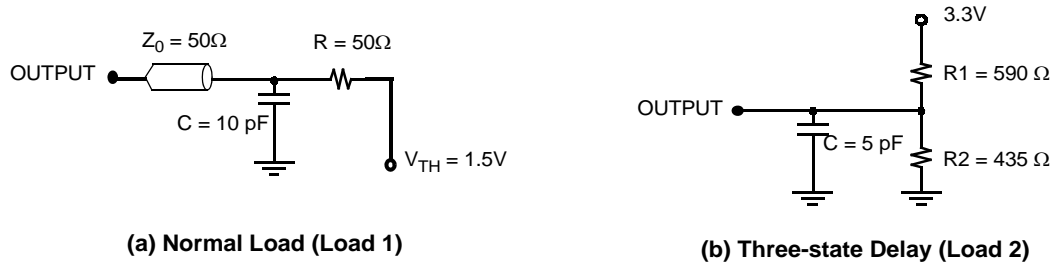
23. The voltage on any input or I/O pin can not exceed the power pin during power up.

24. Pulse width < 20 ns.

25. I_{SB1} , I_{SB2} , I_{SB3} and I_{SB4} are not applicable for CY7C0833AV because it can not be powered down by using chip enable pins.

26. C_{OUT} also references C_{IO} .

Figure 6. AC Test Load and Waveforms



Switching Characteristics

Over the Operating Range

| Parameter | Description | -167 | | -133 | | | | -100 | | Unit |
|----------------|-----------------------------|--|-----|------------|-----|------------|-----|------|-----|------|
| | | CY7C0837AV CY7C0830AV CY7C0831AV CY7C0832AV | | CY7C0833AV | | CY7C0833AV | | | | |
| | | Min | Max | Min | Max | Min | Max | | | |
| f_{MAX2} | Maximum Operating Frequency | | 167 | | 133 | | 133 | | 100 | MHz |
| t_{CYC2} | Clock Cycle Time | 6.0 | | 7.5 | | 7.5 | | 10 | | ns |
| t_{CH2} | Clock HIGH Time | 2.7 | | 3.0 | | 3.0 | | 4.0 | | ns |
| t_{CL2} | Clock LOW Time | 2.7 | | 3.0 | | 3.0 | | 4.0 | | ns |
| $t_{R}^{[27]}$ | Clock Rise Time | | 2.0 | | 2.0 | | 2.0 | | 3.0 | ns |
| $t_{F}^{[27]}$ | Clock Fall Time | | 2.0 | | 2.0 | | 2.0 | | 3.0 | ns |
| t_{SA} | Address Setup Time | 2.3 | | 2.5 | | 2.5 | | 3.0 | | ns |
| t_{HA} | Address Hold Time | 0.6 | | 0.6 | | 0.6 | | 0.6 | | ns |
| t_{SB} | Byte Select Setup Time | 2.3 | | 2.5 | | 2.5 | | 3.0 | | ns |
| t_{HB} | Byte Select Hold Time | 0.6 | | 0.6 | | 0.6 | | 0.6 | | ns |
| t_{SC} | Chip Enable Setup Time | 2.3 | | 2.5 | | NA | | NA | | ns |
| t_{HC} | Chip Enable Hold Time | 0.6 | | 0.6 | | NA | | NA | | ns |
| t_{SW} | R/W Setup Time | 2.3 | | 2.5 | | 2.5 | | 3.0 | | ns |
| t_{HW} | R/W Hold Time | 0.6 | | 0.6 | | 0.6 | | 0.6 | | ns |
| t_{SD} | Input Data Setup Time | 2.3 | | 2.5 | | 2.5 | | 3.0 | | ns |
| t_{HD} | Input Data Hold Time | 0.6 | | 0.6 | | 0.6 | | 0.6 | | ns |
| t_{SAD} | ADS Setup Time | 2.3 | | 2.5 | | NA | | NA | | ns |
| t_{HAD} | ADS Hold Time | 0.6 | | 0.6 | | NA | | NA | | ns |
| t_{SCN} | CNTEN Setup Time | 2.3 | | 2.5 | | NA | | NA | | ns |
| t_{HCN} | CNTEN Hold Time | 0.6 | | 0.6 | | NA | | NA | | ns |
| t_{SRST} | CNTRST Setup Time | 2.3 | | 2.5 | | NA | | NA | | ns |
| t_{HRST} | CNTRST Hold Time | 0.6 | | 0.6 | | NA | | NA | | ns |
| t_{SCM} | CNT/MSK Setup Time | 2.3 | | 2.5 | | NA | | NA | | ns |

Note

27. Except JTAG signals (t_r and $t_f < 10$ ns [max.]).

Switching Characteristics (continued)
 Over the Operating Range

| Parameter | Description | -167 | | -133 | | | | -100 | | Unit |
|---------------------------------------|---|--|------|--|------|------------|------|------------|------|------|
| | | CY7C0837AV CY7C0830AV CY7C0831AV CY7C0832AV | | CY7C0837AV CY7C0830AV CY7C0831AV CY7C0832AV CY7C0832BV | | CY7C0833AV | | CY7C0833AV | | |
| | | Min | Max | Min | Max | Min | Max | Min | Max | |
| t _{HCM} | CNT/MSK Hold Time | 0.6 | | 0.6 | | NA | | NA | | ns |
| t _{OE} | Output Enable to Data Valid | | 4.0 | | 4.4 | | 4.7 | | 5.0 | ns |
| t _{OLZ} ^[28,29] | OE to Low Z | 0 | | 0 | | | | | | ns |
| t _{OHZ} ^[28,29] | OE to High Z | 0 | 4.0 | 0 | 4.4 | | 4.7 | | 5.0 | ns |
| t _{CD2} | Clock to Data Valid | | 4.0 | | 4.4 | | 4.7 | | 5.0 | ns |
| t _{CA2} | Clock to Counter Address Valid | | 4.0 | | 4.4 | | NA | | NA | ns |
| t _{CM2} | Clock to Mask Register Readback Valid | | 4.0 | | 4.4 | | NA | | NA | ns |
| t _{DC} | Data Output Hold After Clock HIGH | 1.0 | | 1.0 | | 1.0 | | 1.0 | | ns |
| t _{CKHZ} ^[28,29] | Clock HIGH to Output High Z | 0 | 4.0 | 0 | 4.4 | | 4.7 | | 5.0 | ns |
| t _{CKLZ} ^[28, 29] | Clock HIGH to Output Low Z | 1.0 | 4.0 | 1.0 | 4.4 | 1.0 | 4.7 | 1.0 | 5.0 | ns |
| t _{SINT} | Clock to INT Set Time | 0.5 | 6.7 | 0.5 | 7.5 | 0.5 | 7.5 | 0.5 | 10 | ns |
| t _{RINT} | Clock to INT Reset Time | 0.5 | 6.7 | 0.5 | 7.5 | 0.5 | 7.5 | 0.5 | 10 | ns |
| t _{SCINT} | Clock to CNTINT Set Time | 0.5 | 5.0 | 0.5 | 5.7 | NA | NA | NA | NA | ns |
| t _{RCINT} | Clock to CNTINT Reset time | 0.5 | 5.0 | 0.5 | 5.7 | NA | NA | NA | NA | ns |
| Port to Port Delays | | | | | | | | | | |
| t _{CCS} | Clock to Clock Skew | 5.2 | | 6.0 | | 6.0 | | 8.0 | | ns |
| Master Reset Timing | | | | | | | | | | |
| t _{RS} | Master Reset Pulse Width | 7.0 | | 7.5 | | 7.5 | | 10 | | ns |
| t _{RS} | Master Reset Setup Time | 6.0 | | 6.0 | | 6.0 | | 8.5 | | ns |
| t _{RSR} | Master Reset Recovery Time | 6.0 | | 7.5 | | 7.5 | | 10 | | ns |
| t _{RSF} | Master Reset to Outputs Inactive | | 10.0 | | 10.0 | | 10.0 | | 10.0 | ns |
| t _{RSCNTINT} | Master Reset to Counter Interrupt Flag Reset Time | | 10.0 | | 10.0 | | NA | | NA | ns |

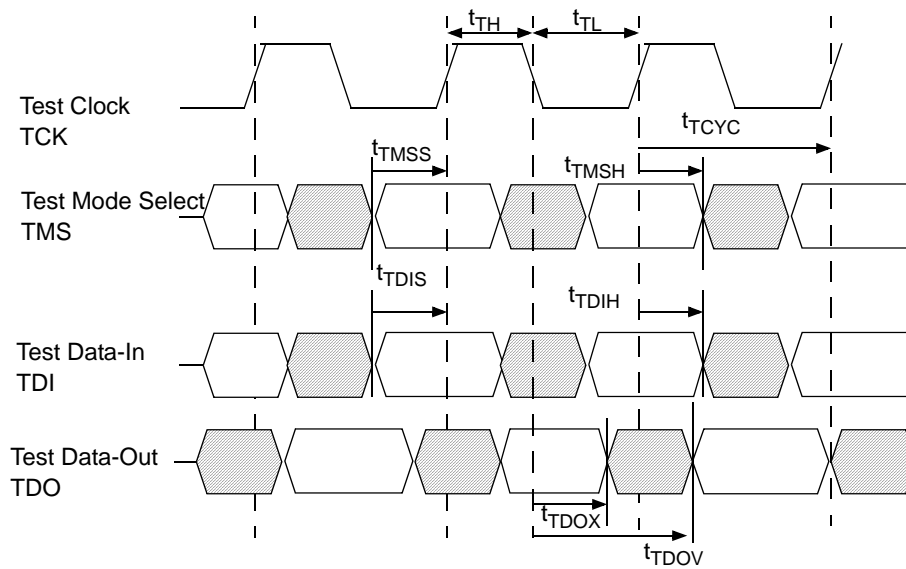
Notes

- 28. This parameter is guaranteed by design, but is not production tested.
- 29. Test conditions used are Load 2.

JTAG Timing and Switching Waveforms

| Parameter | Description | CY7C0837AV/CY7C0830AV CY7C0831AV/CY7C0832AV CY7C0832BV/CY7C0833AV | | Unit |
|-------------------|---------------------------------------|---|-----|------|
| | | Min | Max | |
| f_{JTAG} | Maximum JTAG TAP Controller Frequency | | 10 | MHz |
| t_{TCYC} | TCK Clock Cycle Time | 100 | | ns |
| t_{TH} | TCK Clock HIGH Time | 40 | | ns |
| t_{TL} | TCK Clock LOW Time | 40 | | ns |
| t_{TMSS} | TMS Setup to TCK Clock Rise | 10 | | ns |
| t_{TMSH} | TMS Hold After TCK Clock Rise | 10 | | ns |
| t_{TDIS} | TDI Setup to TCK Clock Rise | 10 | | ns |
| t_{TDIH} | TDI Hold After TCK Clock Rise | 10 | | ns |
| t_{TDOV} | TCK Clock LOW to TDO Valid | | 30 | ns |
| t_{TDOX} | TCK Clock LOW to TDO Invalid | 0 | | ns |

Figure 7. JTAG Switching Waveform



Switching Waveforms

Figure 8. Master Reset

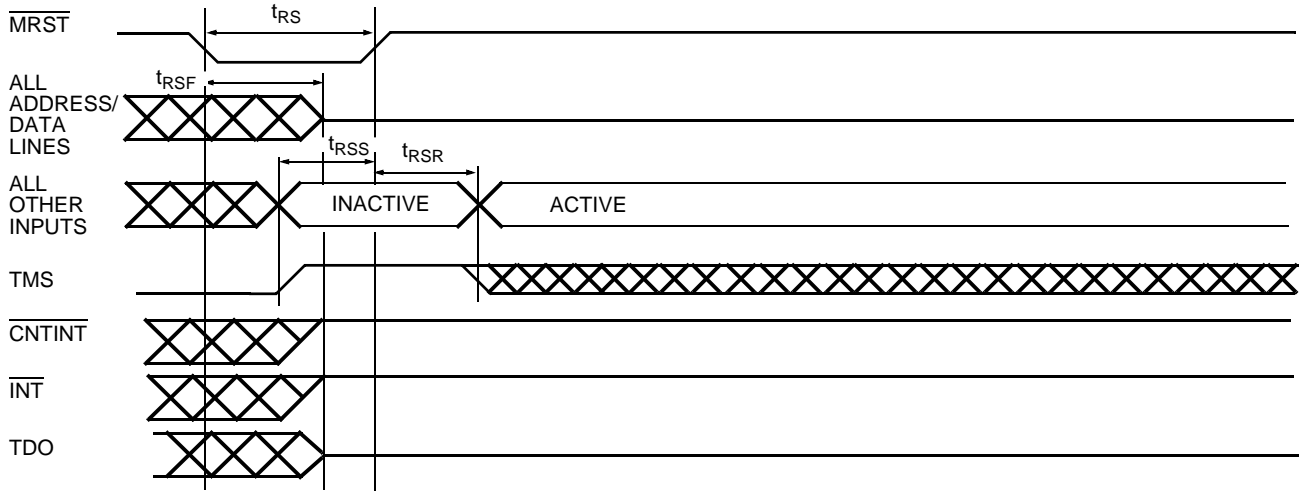
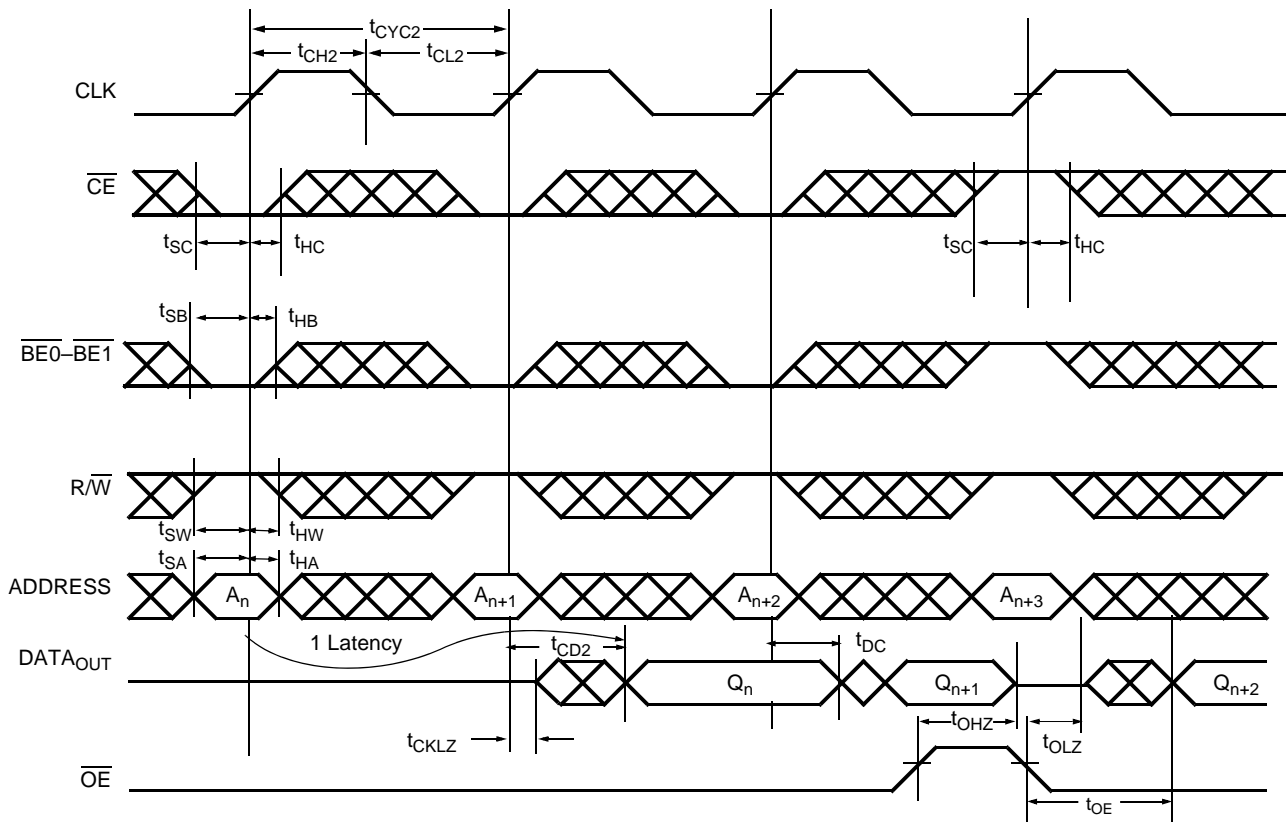


Figure 9. Read Cycle^[12, 30, 31, 32, 33]



Notes

30. OE is asynchronously controlled; all other inputs (excluding MRST and JTAG) are synchronous to the rising clock edge.

31. ADS = CNTEN = LOW, and MRST = CNTRST = CNT/MSK = HIGH.

32. The output is disabled (high-impedance state) by CE = V_{IH} following the next rising edge of the clock.

33. Addresses need not be accessed sequentially because ADS = CNTEN = V_{IL} with CNT/MSK = V_{IH} constantly loads the address on the rising edge of the CLK. Numbers are for reference only.

Switching Waveforms (continued)

Figure 10. Bank Select Read^[34, 35]

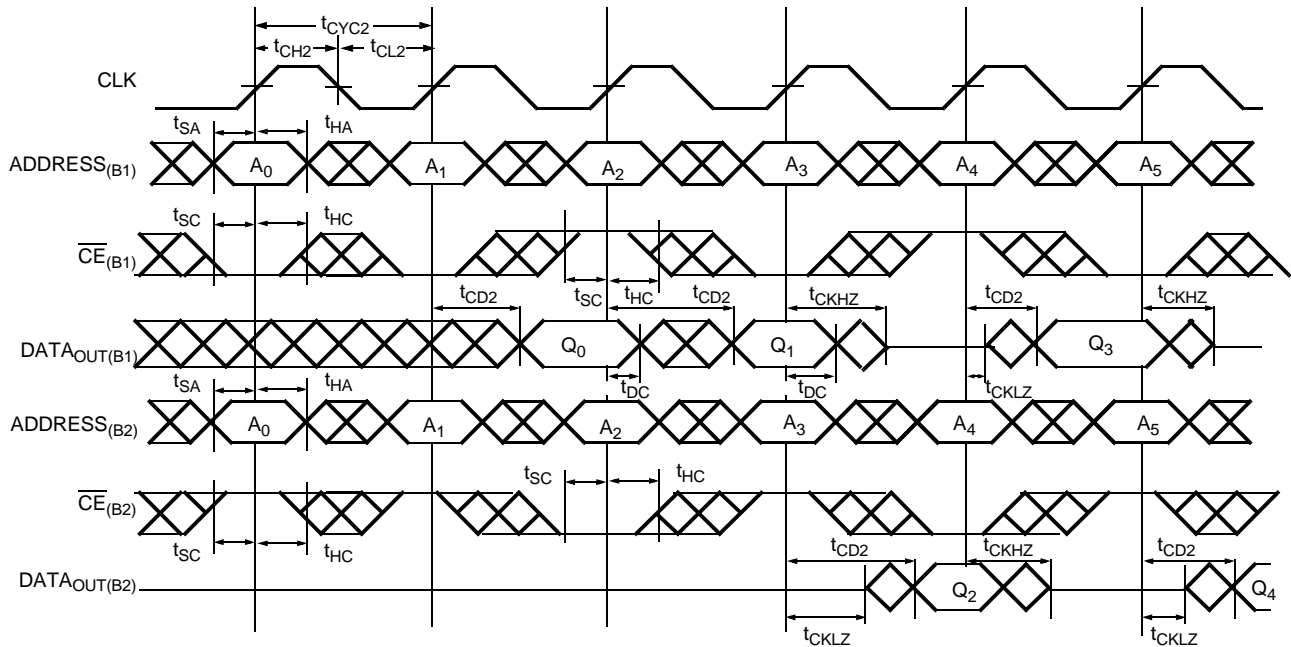
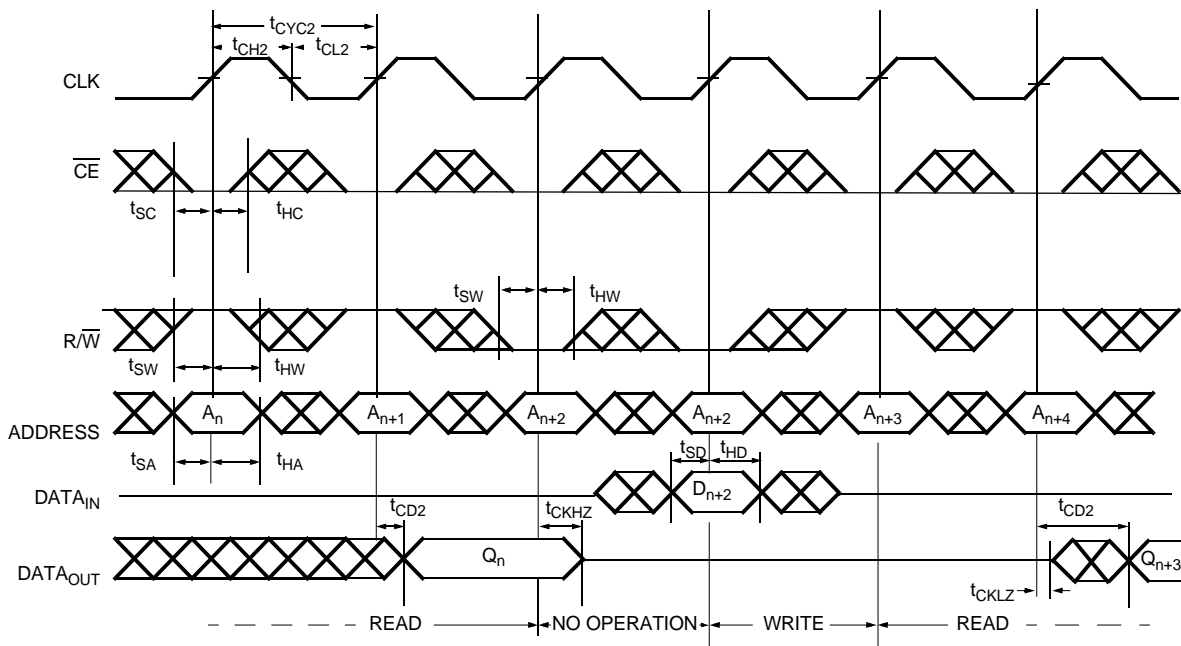


Figure 11. Read-to-Write-to-Read ($\overline{OE} = \text{LOW}$)^[33, 36, 37, 38, 39]



Notes

- 34. In this depth-expansion example, B1 represents Bank #1 and B2 is Bank #2; each bank consists of one Cypress FLE_x18 device from this data sheet. ADDRESS_(B1) = ADDRESS_(B2).
- 35. ADS = CNTEN = BE₀ - BE₁ = OE = LOW; MRST = CNTRST = CNT/MSK = HIGH.
- 36. Output state (HIGH, LOW, or high-impedance) is determined by the previous cycle control signals.
- 37. During "No Operation," data in memory at the selected address may be corrupted and should be rewritten to ensure data integrity.
- 38. CE₀ = OE = BE₀ - BE₁ = LOW; CE₁ = R/W = CNTRST = MRST = HIGH.
- 39. CE₀ = BE₀ - BE₁ = R/W = LOW; CE₁ = CNTRST = MRST = CNT/MSK = HIGH. When R/W first switches low, because OE = LOW, the Write operation cannot be completed (labelled as no operation). One clock cycle is required to three-state the I/O for the Write operation on the next rising edge of CLK.

Switching Waveforms (continued)

Figure 12. Read-to-Write-to-Read ($\overline{\text{OE}}$ Controlled)^[33, 36, 38, 39]

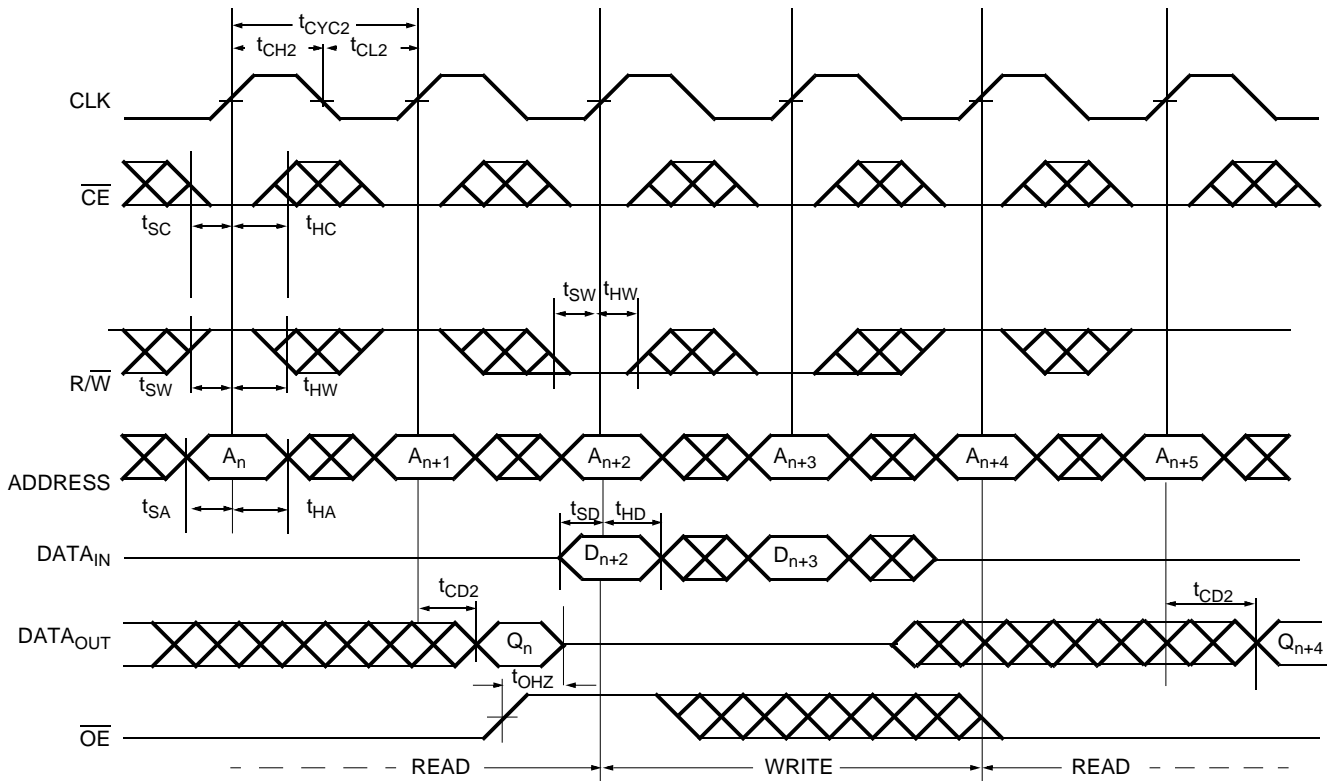
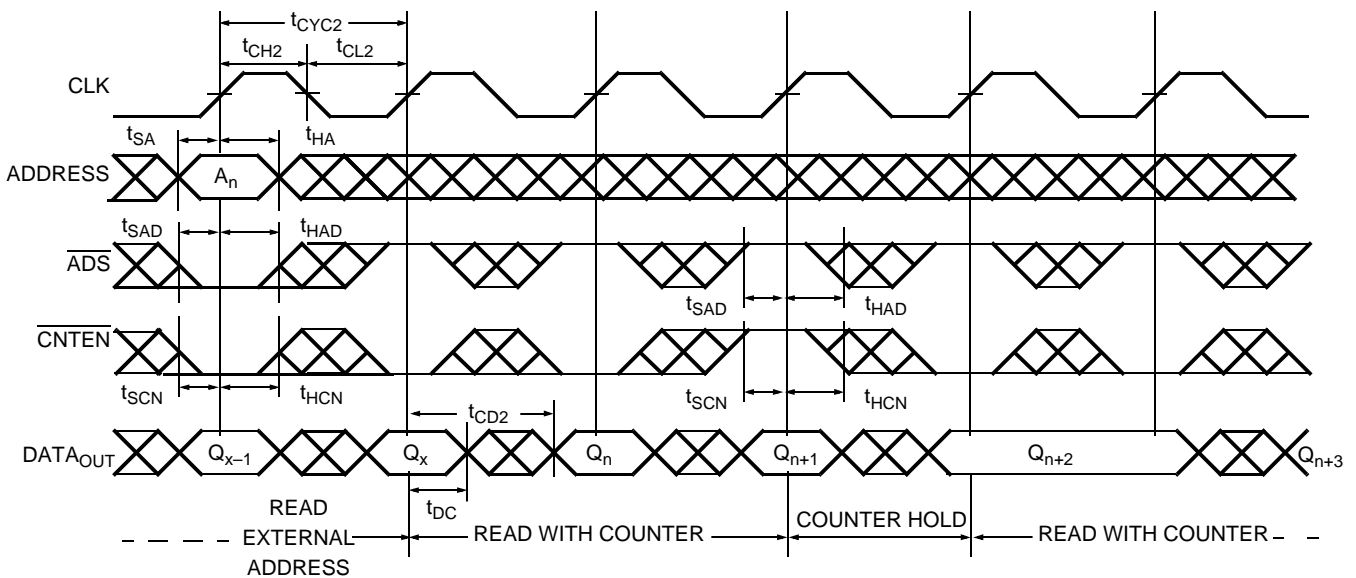


Figure 13. Read with Address Counter Advance^[38]



Switching Waveforms (continued)

Figure 14. Write with Address Counter Advance^[39]

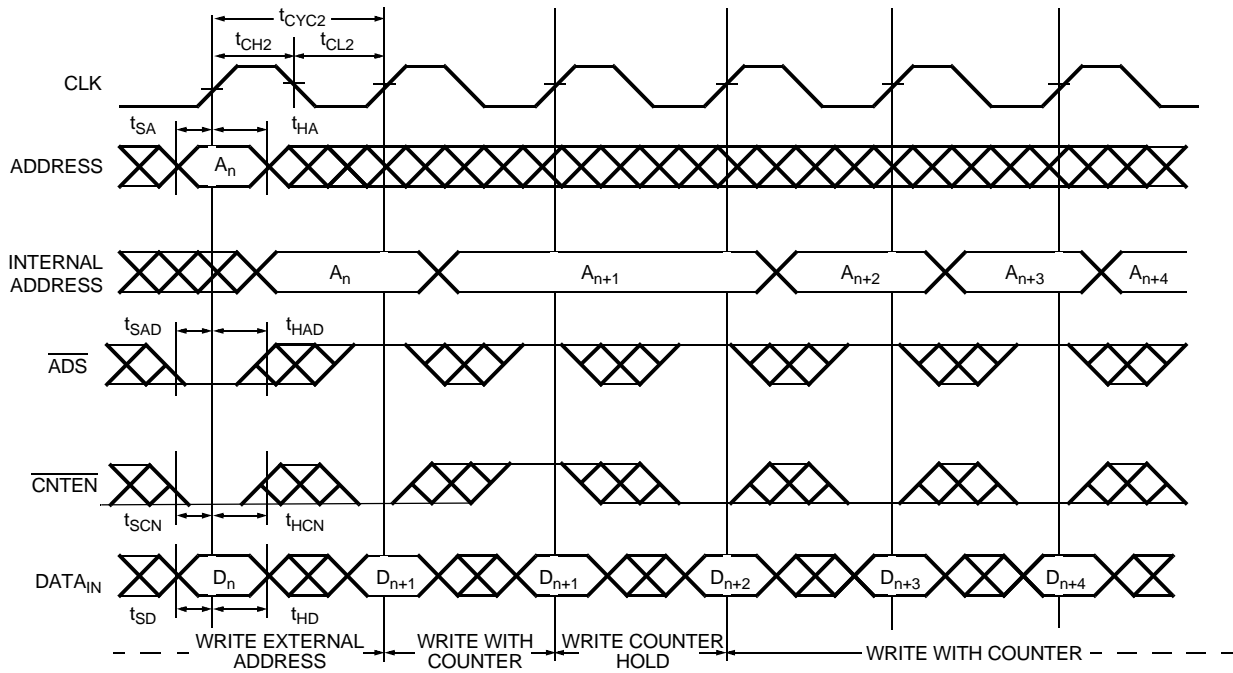
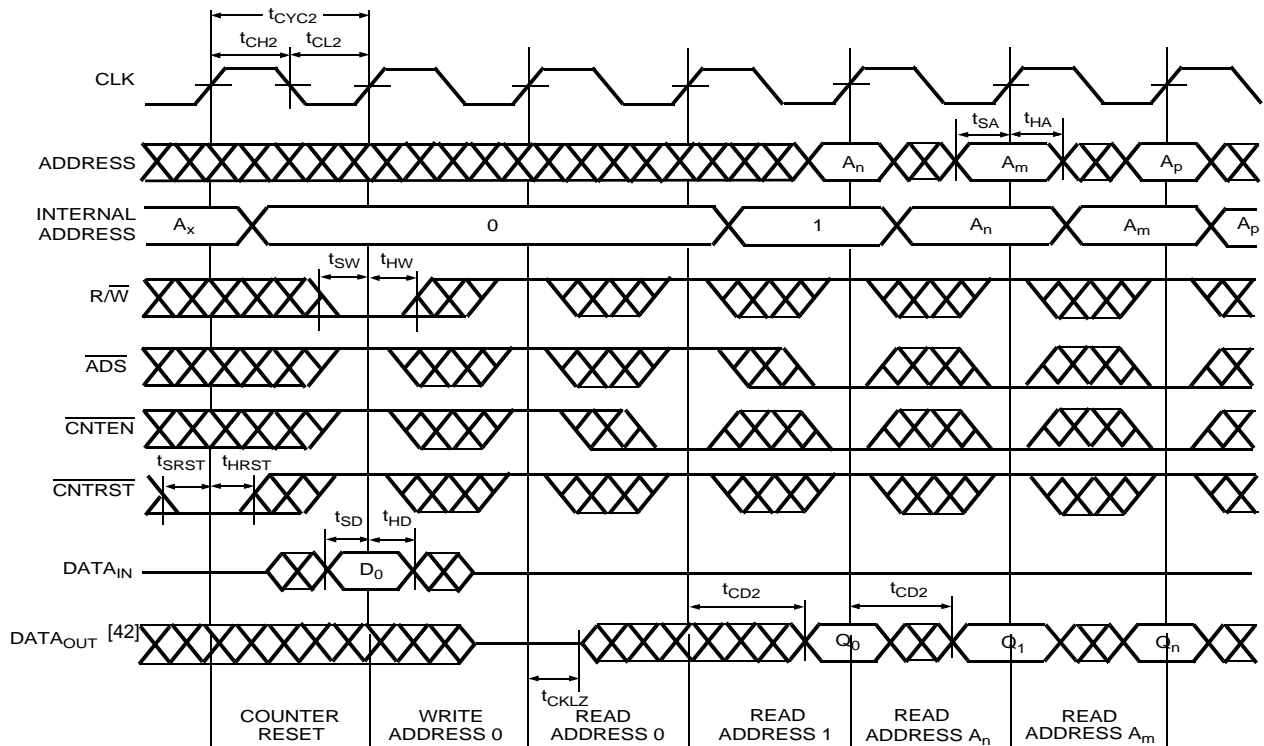


Figure 15. Counter Reset^[40, 41]

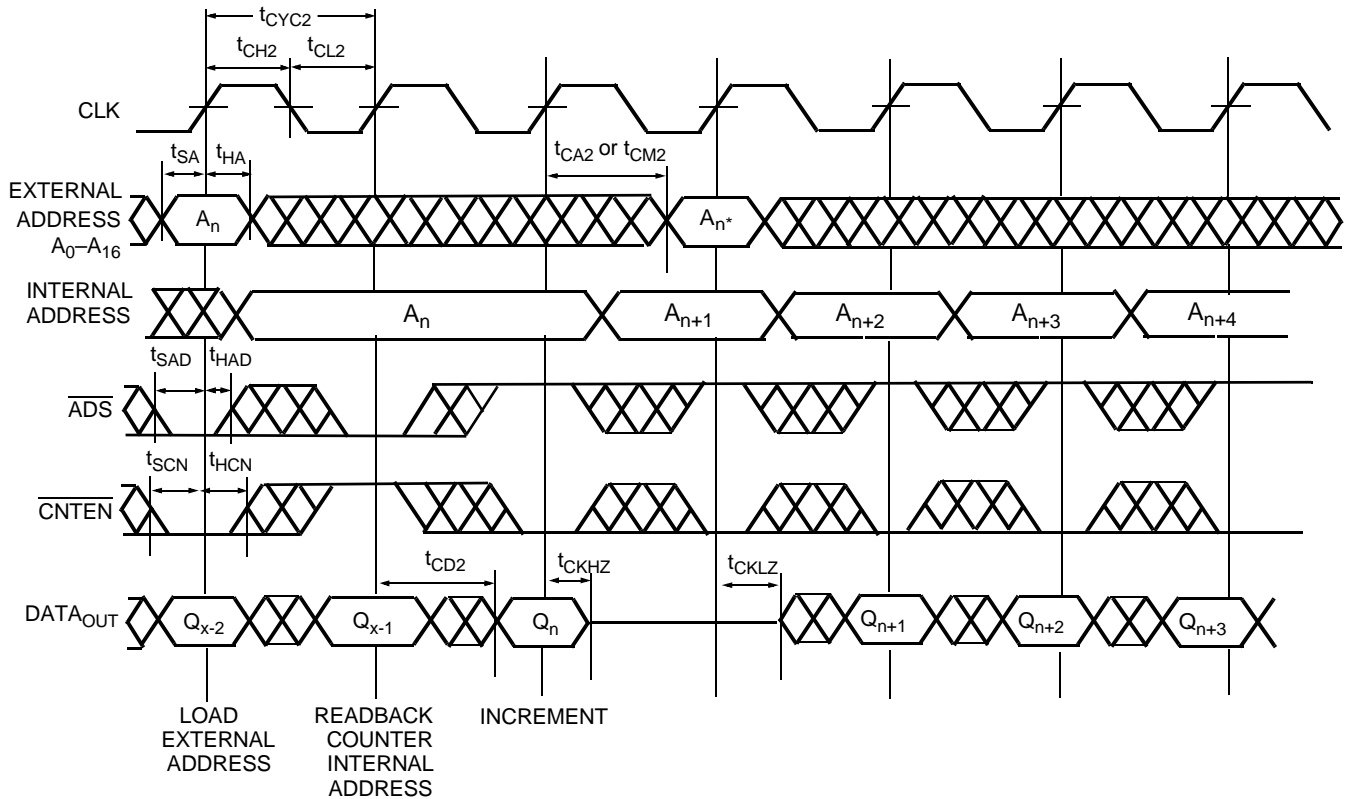


Notes

- 40. $\overline{CE}_0 = \overline{BE}_0 - \overline{BE}_1 = \text{LOW}$; $\overline{CE}_1 = \overline{MRST} = \text{CNT}/\overline{\text{MSK}} = \text{HIGH}$.
- 41. No dead cycle exists during counter reset. A Read or Write cycle may be coincidental with the counter reset.
- 42. Retransmit happens if the counter remains in increment mode after it wraps to initially loaded value.

Switching Waveforms (continued)

Figure 16. Readback State of Address Counter or Mask Register^[43, 44, 45, 46]



Notes

43. $\overline{CE}_0 = \overline{OE} = \overline{BE}_0 - \overline{BE}_1 = \text{LOW}$; $CE_1 = R/\overline{W} = \overline{CNTRST} = \overline{MRST} = \text{HIGH}$.

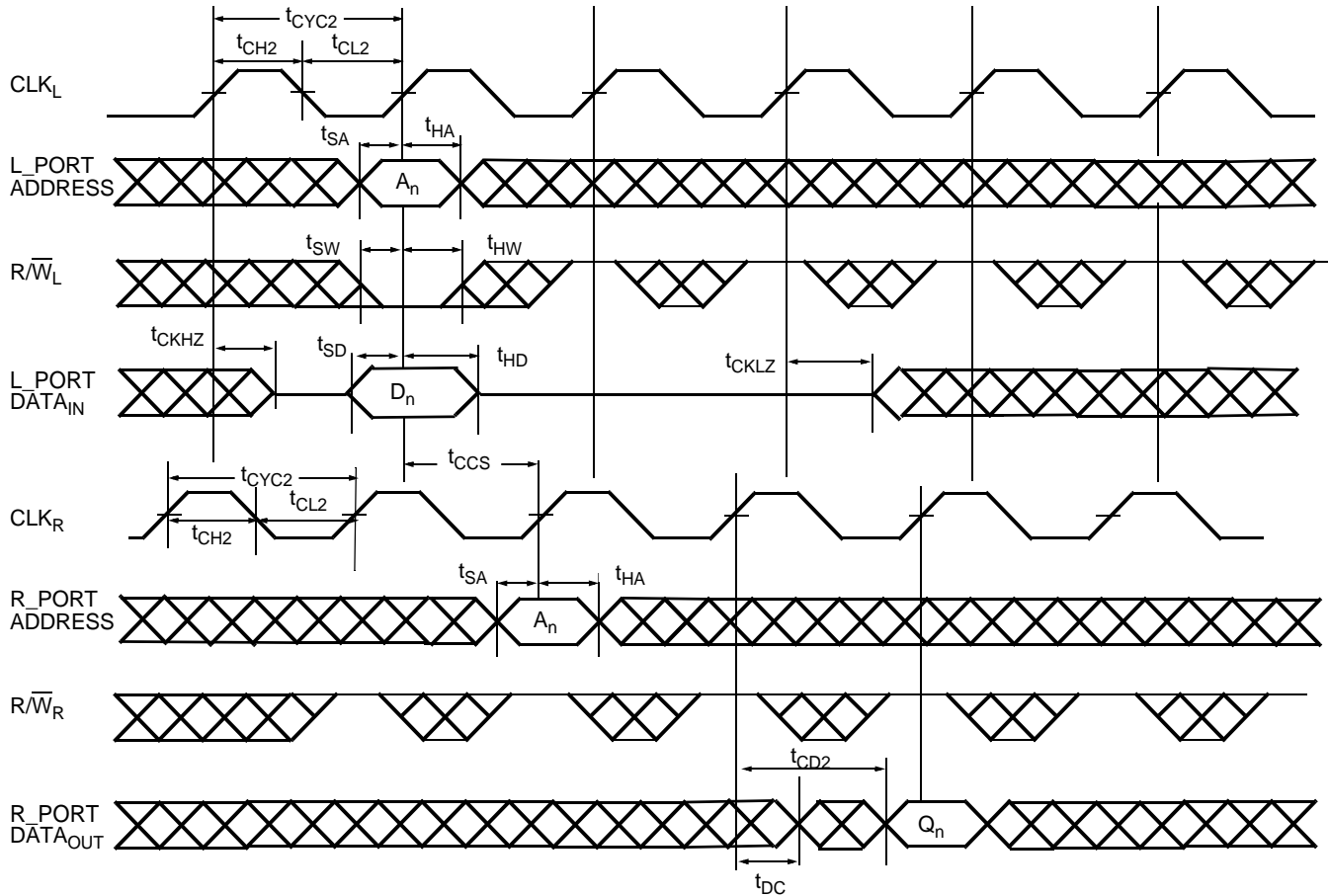
44. Address in output mode. Host must not be driving address bus after t_{CKLZ} in next clock cycle.

45. Address in input mode. Host can drive address bus after t_{CKHZ}.

46. A_n * is the internal value of the address counter (or the mask register depending on the CNT/MSK level) being Read out on the address lines.

Switching Waveforms (continued)

Figure 17. Left_Port (L_Port) Write to Right_Port (R_Port) Read^[47, 48, 49]



Notes

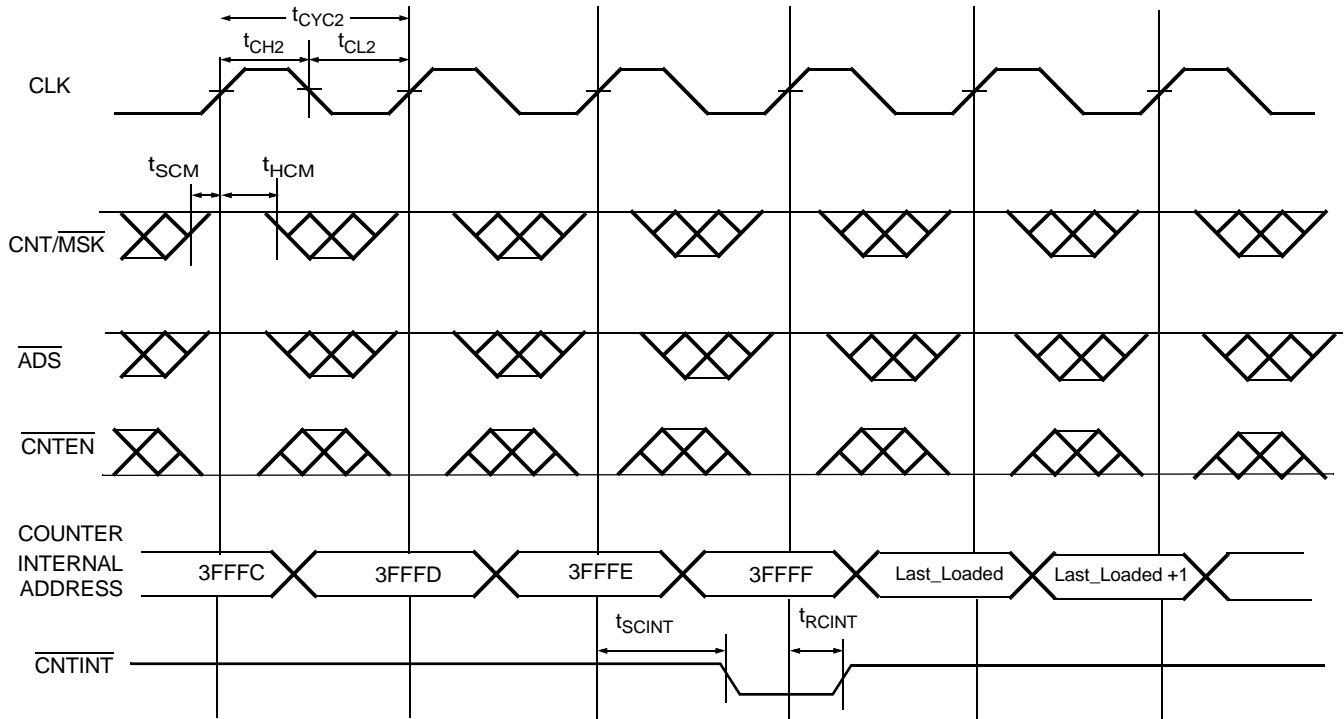
47. $\overline{CE_0} = \overline{OE} = \overline{ADS} = \overline{CNTEN} = \overline{BE0} - \overline{BE1} = \text{LOW}$; $CE_1 = \overline{CNTRST} = \overline{MRST} = \overline{CNT/MSK} = \text{HIGH}$.

48. This timing is valid when one port is writing, and other port is reading the same location at the same time. If t_{CCS} is violated, indeterminate data is Read out.

49. If $t_{CCS} <$ minimum specified value, then R_Port is Read the most recent data (written by L_Port) only ($2 * t_{CYC2} + t_{CD2}$) after the rising edge of R_Port's clock. If $t_{CCS} \geq$ minimum specified value, then R_Port is Read the most recent data (written by L_Port) ($t_{CYC2} + t_{CD2}$) after the rising edge of R_Port's clock.

Switching Waveforms (continued)

Figure 18. Counter Interrupt and Retransmit [15, 42, 50, 51, 52, 53]



Notes

- 50. $\overline{CE_0} = \overline{OE} = \overline{BE_0} - \overline{BE_1} = \text{LOW}$; $CE_1 = R/\overline{W} = \overline{CNTRST} = \overline{MRST} = \text{HIGH}$.
- 51. CNTINT is always driven.
- 52. CNTINT goes LOW when the unmasked portion of the address counter is incremented to the maximum value.
- 53. The mask register assumed to have the value of 3FFFFh.

Switching Waveforms (continued)

Figure 19. MailBox Interrupt Timing [54, 55, 56, 57, 58]

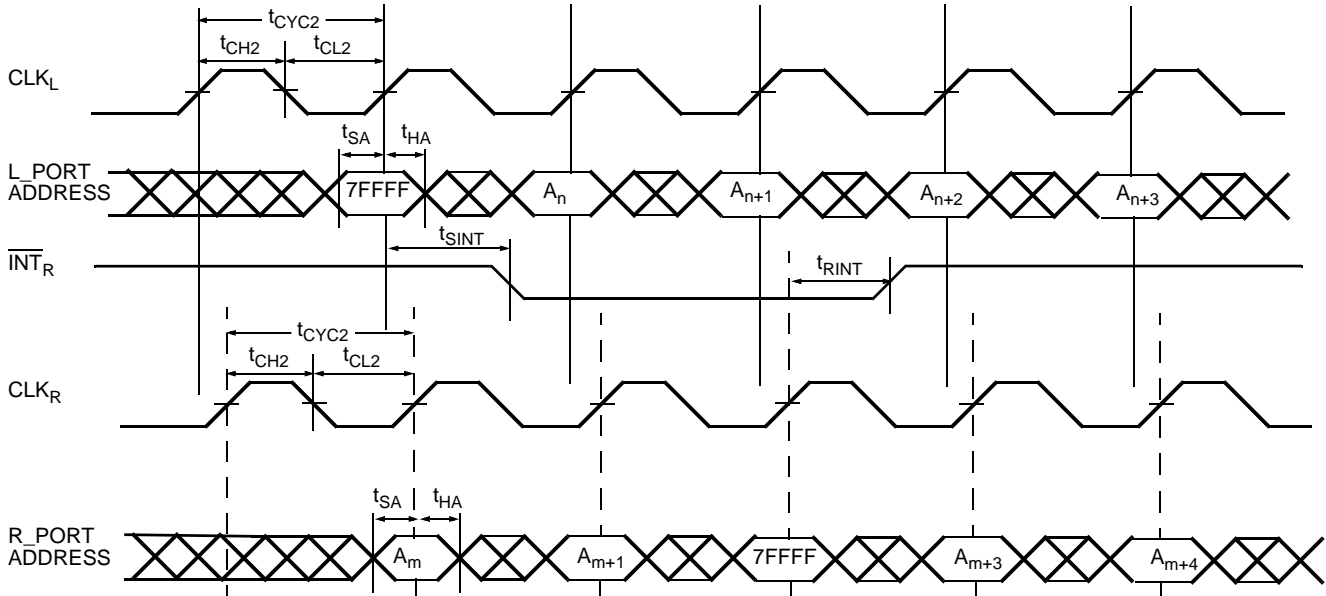
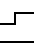
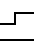

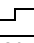


Table 7. Read/Write and Enable Operation (Any Port) [2, 17, 59, 60, 61]

| Inputs | | | | | Outputs | Operation |
|--------|---|-----------------|-----------------|-----|------------------------------------|------------------|
| OE | CLK | CE ₀ | CE ₁ | R/W | DQ ₀ – DQ ₁₇ | |
| X |  | H | X | X | High-Z | Deselected |
| X |  | X | L | X | High-Z | Deselected |
| X |  | L | H | L | D _{IN} | Write |
| L |  | L | H | H | D _{OUT} | Read |
| H | X | L | H | X | High-Z | Outputs Disabled |

Notes

- 54. CE₀ = OE = ADS = CNTEN = LOW; CE₁ = CNTRST = MRST = CNT/MSK = HIGH.
- 55. Address "7FFFF" is the mailbox location for R_Port of the 9Mb device.
- 56. L_Port is configured for Write operation, and R_Port is configured for Read operation.
- 57. At least one byte enable (BE₀ – BE₁) is required to be active during interrupt operations.
- 58. Interrupt flag is set with respect to the rising edge of the Write clock, and is reset with respect to the rising edge of the Read clock.
- 59. OE is an asynchronous input signal.
- 60. When CE changes state, deselection and Read happen after one cycle of latency.
- 61. CE₀ = OE = LOW; CE₁ = R/W = HIGH.

Ordering Information

512K × 18 (9M) 3.3V Synchronous CY7C0833AV Dual-Port SRAM

| Speed (MHz) | Ordering Code | Package Diagram | Package Type | Operating Range |
|-------------|-------------------|-----------------|--|-----------------|
| 133 | CY7C0833AV-133BBC | 51-85141 | 144-Ball Grid Array (13 x 13 x 1.6 mm) with 1 mm pitch | Commercial |
| | CY7C0833AV-133BBI | 51-85141 | 144-Ball Grid Array (13 x 13 x 1.6 mm) with 1 mm pitch | Industrial |
| 100 | CY7C0833AV-100BBC | 51-85141 | 144-Ball Grid Array (13 x 13 x 1.6 mm) with 1 mm pitch | Commercial |
| | CY7C0833AV-100BBI | 51-85141 | 144-Ball Grid Array (13 x 13 x 1.6 mm) with 1 mm pitch | Industrial |

256K × 18 (4M) 3.3V Synchronous CY7C0832AV/CY7C0832BV Dual-Port SRAM

| Speed (MHz) | Ordering Code | Package Diagram | Package Type | Operating Range |
|-------------|-------------------|-----------------|--|-----------------|
| 167 | CY7C0832AV-167BBC | 51-85141 | 144-Ball Grid Array (13 x 13 x 1.6 mm) with 1 mm pitch | Commercial |
| | CY7C0832AV-167AC | 51-85100 | 120-Pin Thin Quad Flat Pack (14 x 14 x 1.4 mm) | |
| | CY7C0832AV-167AXC | | 120-Pin Thin Quad Flat Pack (14 x 14 x 1.4 mm) (Pb-Free) | |
| 133 | CY7C0832AV-133BBC | 51-85141 | 144-Ball Grid Array (13 x 13 x 1.6 mm) with 1 mm pitch | Commercial |
| | CY7C0832AV-133AC | 51-85100 | 120-Pin Thin Quad Flat Pack (14 x 14 x 1.4 mm) | |
| | CY7C0832AV-133AXC | | 120-Pin Thin Quad Flat Pack (14 x 14 x 1.4 mm) (Pb-Free) | |
| | CY7C0832AV-133BBI | 51-85141 | 144-Ball Grid Array (13 x 13 x 1.6 mm) with 1 mm pitch | Industrial |
| | CY7C0832BV-133AI | 51-85100 | 120-Pin Thin Quad Flat Pack (14 x 14 x 1.4 mm) | |
| | CY7C0832AV-133AXI | | 120-Pin Thin Quad Flat Pack (14 x 14 x 1.4 mm) (Pb-Free) | |

128K × 18 (2M) 3.3V Synchronous CY7C0831AV Dual-Port SRAM

| Speed (MHz) | Ordering Code | Package Diagram | Package Type | Operating Range |
|-------------------|--------------------|--|--|-----------------|
| 167 | CY7C0831AV-167BBC | 51-85141 | 144-Ball Grid Array (13 x 13 x 1.6 mm) with 1 mm pitch | Commercial |
| | CY7C0831AV-167AC | 51-85100 | 120-Pin Thin Quad Flat Pack (14 x 14 x 1.4 mm) | |
| | CY7C0831AV-167AXC | | 120-Pin Thin Quad Flat Pack (14 x 14 x 1.4 mm) (Pb-Free) | |
| 133 | CY7C0831AV-133BBC | 51-85141 | 144-Ball Grid Array (13 x 13 x 1.6 mm) with 1 mm pitch | Commercial |
| | CY7C0831AV-133BBXC | | 144-Ball Grid Array (13 x 13 x 1.6 mm) with 1 mm pitch (Pb-Free) | |
| | CY7C0831AV-133AC | 51-85100 | 120-Pin Thin Quad Flat Pack (14 x 14 x 1.4 mm) | Commercial |
| | CY7C0831AV-133AXC | | 120-Pin Thin Quad Flat Pack (14 x 14 x 1.4 mm) (Pb-Free) | |
| | CY7C0831AV-133BBI | 51-85141 | 144-Ball Grid Array (13 x 13 x 1.6 mm) with 1 mm pitch | |
| | CY7C0831AV-133BBI | | 144-Ball Grid Array (13 x 13 x 1.6 mm) with 1 mm pitch (Pb-Free) | |
| | CY7C0831AV-133AI | 51-85100 | 120-Pin Thin Quad Flat Pack (14 x 14 x 1.4 mm) | |
| CY7C0831AV-133AXI | | 120-Pin Thin Quad Flat Pack (14 x 14 x 1.4 mm) (Pb-Free) | | |

64K × 18 (1M) 3.3V Synchronous CY7C0830AV Dual-Port SRAM

| Speed (MHz) | Ordering Code | Package Diagram | Package Type | Operating Range |
|-------------|-------------------|-----------------|--|-----------------|
| 167 | CY7C0830AV-167BBC | 51-85141 | 144-Ball Grid Array (13 x 13 x 1.6 mm) with 1 mm pitch | Commercial |
| | CY7C0830AV-167AC | 51-85100 | 120-Pin Thin Quad Flat Pack (14 x 14 x 1.4 mm) | |
| 133 | CY7C0830AV-133BBC | 51-85141 | 144-Ball Grid Array (13 x 13 x 1.6 mm) with 1 mm pitch | Commercial |
| | CY7C0830AV-133AC | 51-85100 | 120-Pin Thin Quad Flat Pack (14 x 14 x 1.4 mm) | |
| | CY7C0830AV-133BBI | 51-85141 | 144-Ball Grid Array (13 x 13 x 1.6 mm) with 1 mm pitch | Industrial |
| | CY7C0830AV-133AI | 51-85100 | 120-Pin Thin Quad Flat Pack (14 x 14 x 1.4 mm) | |

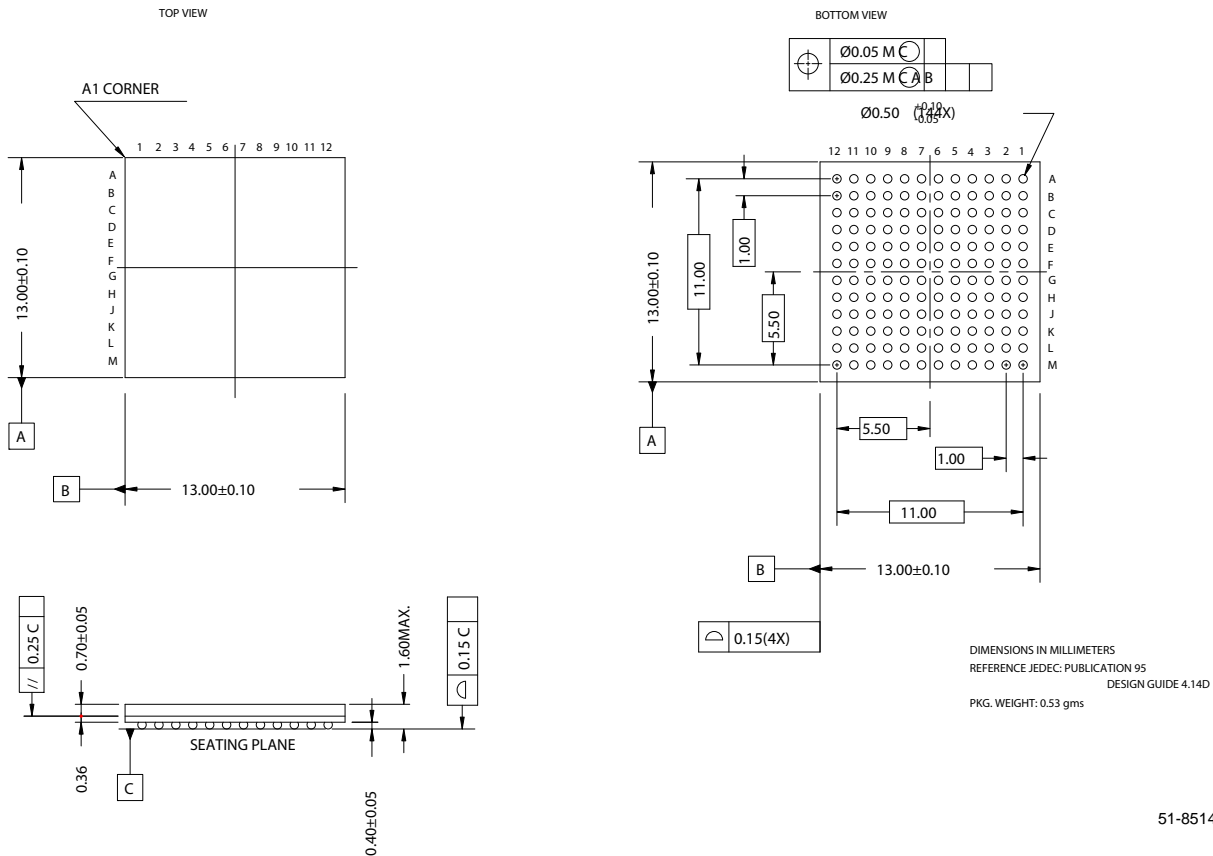
Ordering Information

32K x 18 (512K) 3.3V Synchronous CY7C0837AV Dual-Port SRAM

| Speed (MHz) | Ordering Code | Package Diagram | Package Type | Operating Range |
|-------------|-------------------|-----------------|--|-----------------|
| 167 | CY7C0837AV-167BBC | 51-85141 | 144-Ball Grid Array (13 x 13 x 1.6 mm) with 1 mm pitch | Commercial |
| 133 | CY7C0837AV-133BBC | 51-85141 | 144-Ball Grid Array (13 x 13 x 1.6 mm) with 1 mm pitch | Commercial |
| | CY7C0837AV-133BBI | 51-85141 | 144-Ball Grid Array (13 x 13 x 1.6 mm) with 1 mm pitch | Industrial |

Package Diagrams

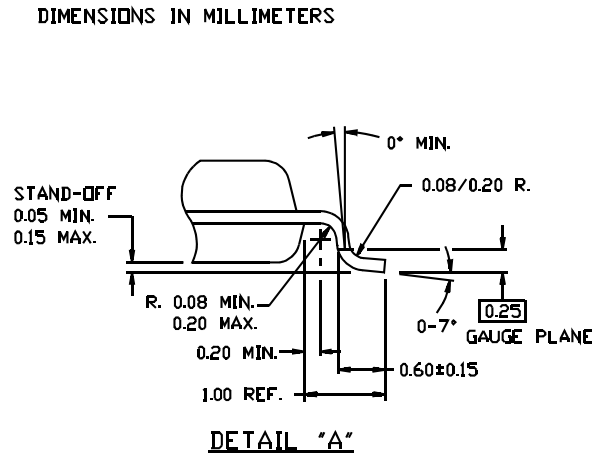
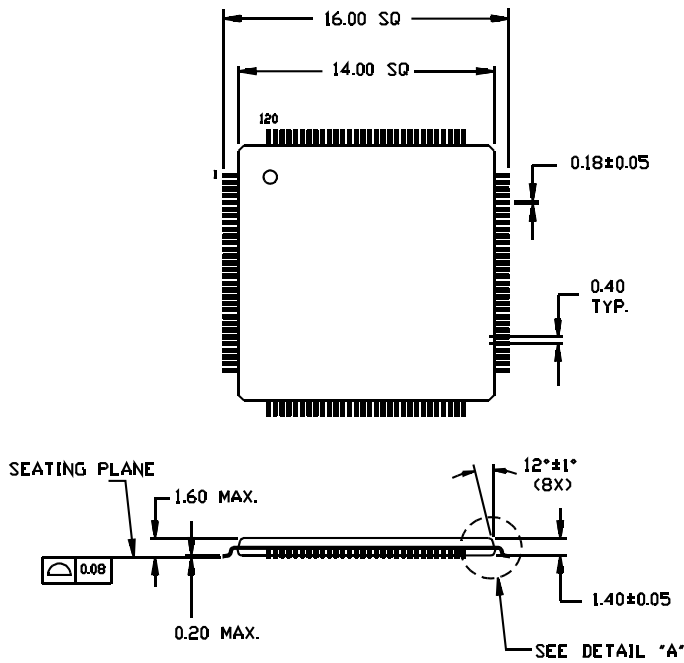
Figure 20. 144-Ball FBGA (13 x 13 x 1.6 mm) (51-85141)



51-85141-*B

Package Diagrams

Figure 21. 120-Pin Thin Quad Flatpack (14 x 14 x 1.4 mm) (51-85100)



51-85100-**

Document History Page

| Document Title: CY7C0837AV/CY7C0830AV/CY7C0831AV/CY7C0832AV/CY7C0832BV/CY7C0833AV, FLEx18™ 3.3V 64K/128K x 36 and 128K/256K x 18 Synchronous Dual-Port RAM | | | | |
|--|---------|-----------------|-----------------|--|
| Document Number: 38-06059 | | | | |
| Rev. | ECN No. | Orig. of Change | Submission Date | Description of Change |
| ** | 111473 | DSG | 11/27/01 | Change from Spec number: 38-01056 to 38-06059 |
| *A | 111942 | JFU | 12/21/01 | Updated capacitance values Updated switching parameters and I _{SB3} Updated "Read-to-Write-to-Read (OE Controlled)" waveform Revised static discharge voltage Revised footnote regarding I _{SB3} |
| *B | 113741 | KRE | 04/02/02 | Updated I _{sb} values Updated ESD voltage Corrected 0853 pins L3 and L12 |
| *C | 114704 | KRE | 04/24/02 | Added discussion of Pause/Restart for JTAG boundary scan |
| *D | 115336 | KRE | 07/01/02 | Revised speed offerings for all densities |
| *E | 122307 | RBI | 12/27/02 | Power up requirements added to Maximum Ratings Information |
| *F | 123636 | KRE | 1/27/03 | Revise t _{od2} , t _{OE} , t _{OHZ} , t _{CKHZ} , t _{CKLZ} for the CY7C0853V to 4.7 ns |
| *G | 126053 | SPN | 08/11/03 | Separated out 4M and 9M data sheets Updated I _{sb} and I _{cc} values |
| *H | 129443 | RAZ | 11/03/03 | Updated I _{sb} and I _{cc} values |
| *I | 231993 | YDT | See ECN | Removed "A particular port can write to a certain location while another port is reading that location." from Functional Description. |
| *J | 231813 | WWZ | See ECN | Removed x36 devices (CY7C0852/CY7C0851) from this datasheet. Added 0.5M, 1M and 9M x18 devices to it. Changed title to FLEx18 3.3V 32K/64K/128K/256K/512K x18 Synchronous Dual-Port RAM. Changed datasheet to accommodate the removals and additions. Removed general JTAG description. Updated JTAG ID codes for all devices. Added 144FBGA package for all devices. Updated selection guide table and moved to the front page. Updated block diagram to reflect x18 configuration. Added preliminary status back due to the addition of the new devices. |
| *K | 311054 | RYQ | See ECN | Minor Change: Correct the revision indicated on the footer. |
| *L | 329111 | SPN | See ECN | Updated Marketing part numbers Updated t _{RSF} |
| *M | 330561 | RUY | See ECN | Added Byte Select Operation Table |
| *N | 375198 | YDT | See ECN | Removed Preliminary status Added I _{SB5} Changed t _{RSCNTINT} to 10ns |
| *O | 391525 | SPN | See ECN | Updated Counter reset section to reflect what is loaded into the mirror register |
| *P | 414109 | LIJ | See ECN | Corrected Ordering Codes for 0831 devices in the 133 Mhz speed bin. Added CY7C0833AV-133BBI. |
| *Q | 461113 | YDT | SEE ECN | Changed VDDIO to VDD (typo) Added lead(Pb)-free parts Corrected typo in DC table |
| *R | 2544945 | VKN/AESA | 07/29/08 | Updated Template. Updated ordering information |
| *S | 2668478 | VKN/PYRS | 02/04/09 | Added CY7C0832BV part Added footnote #1 Updated Ordering information table |



Sales, Solutions, and Legal Information

Worldwide Sales and Design Support

Cypress maintains a worldwide network of offices, solution centers, manufacturer's representatives, and distributors. To find the office closest to you, visit us at cypress.com/sales.

Products

| | |
|------------------|--|
| PSoC | psoc.cypress.com |
| Clocks & Buffers | clocks.cypress.com |
| Wireless | wireless.cypress.com |
| Memories | memory.cypress.com |
| Image Sensors | image.cypress.com |

PSoC Solutions

| | |
|-----------------------|--|
| General | psoc.cypress.com/solutions |
| Low Power/Low Voltage | psoc.cypress.com/low-power |
| Precision Analog | psoc.cypress.com/precision-analog |
| LCD Drive | psoc.cypress.com/lcd-drive |
| CAN 2.0b | psoc.cypress.com/can |
| USB | psoc.cypress.com/usb |

© Cypress Semiconductor Corporation, 2001-2009. The information contained herein is subject to change without notice. Cypress Semiconductor Corporation assumes no responsibility for the use of any circuitry other than circuitry embodied in a Cypress product. Nor does it convey or imply any license under patent or other rights. Cypress products are not warranted nor intended to be used for medical, life support, life saving, critical control or safety applications, unless pursuant to an express written agreement with Cypress. Furthermore, Cypress does not authorize its products for use as critical components in life-support systems where a malfunction or failure may reasonably be expected to result in significant injury to the user. The inclusion of Cypress products in life-support systems application implies that the manufacturer assumes all risk of such use and in doing so indemnifies Cypress against all charges.

Any Source Code (software and/or firmware) is owned by Cypress Semiconductor Corporation (Cypress) and is protected by and subject to worldwide patent protection (United States and foreign), United States copyright laws and international treaty provisions. Cypress hereby grants to licensee a personal, non-exclusive, non-transferable license to copy, use, modify, create derivative works of, and compile the Cypress Source Code and derivative works for the sole purpose of creating custom software and or firmware in support of licensee product to be used only in conjunction with a Cypress integrated circuit as specified in the applicable agreement. Any reproduction, modification, translation, compilation, or representation of this Source Code except as specified above is prohibited without the express written permission of Cypress.

Disclaimer: CYPRESS MAKES NO WARRANTY OF ANY KIND, EXPRESS OR IMPLIED, WITH REGARD TO THIS MATERIAL, INCLUDING, BUT NOT LIMITED TO, THE IMPLIED WARRANTIES OF MERCHANTABILITY AND FITNESS FOR A PARTICULAR PURPOSE. Cypress reserves the right to make changes without further notice to the materials described herein. Cypress does not assume any liability arising out of the application or use of any product or circuit described herein. Cypress does not authorize its products for use as critical components in life-support systems where a malfunction or failure may reasonably be expected to result in significant injury to the user. The inclusion of Cypress' product in a life-support systems application implies that the manufacturer assumes all risk of such use and in doing so indemnifies Cypress against all charges.

Use may be limited by and subject to the applicable Cypress software license agreement.