



DDR 13-Bit to 26-Bit Registered Buffer

Recommended Applications:

- DDR Memory Modules:
 - DDRI (PC1600, PC2100)
 - DDR333 (PC2700)
 - DDRI-400 (PC3200)
- Provides complete DDR DIMM solution with ICS93V857 or ICS95V857
- SSTL_2 compatible data registers

Product Features:

- Differential clock signals
- Meets SSTL_2 signal data
- Supports SSTL_2 class I specifications on outputs
- Low-voltage operation
 - $V_{DD} = 2.3V$ to $2.7V$
- Available in 64 pin TSSOP and 56 pin MLF packages
- Exceeds ICSSSTVN16859 performance

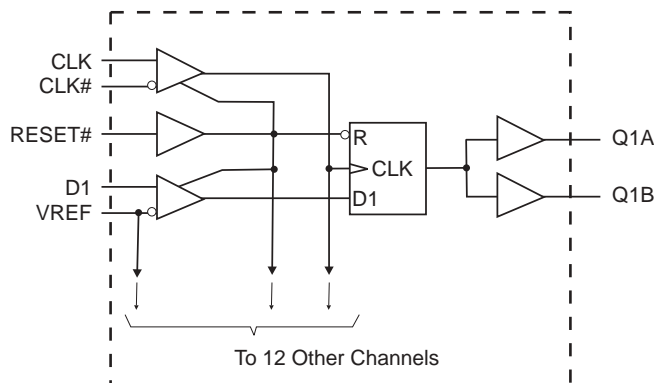
Truth Table¹

| Inputs | | | | Q Outputs |
|--------|---------------|---------------|---------------|-------------|
| RESET# | CLK | CLK# | D | Q |
| L | X or Floating | X or Floating | X or Floating | L |
| H | ↑ | ↓ | H | H |
| H | ↑ | ↓ | L | L |
| H | L or H | L or H | X | $Q_0^{(2)}$ |

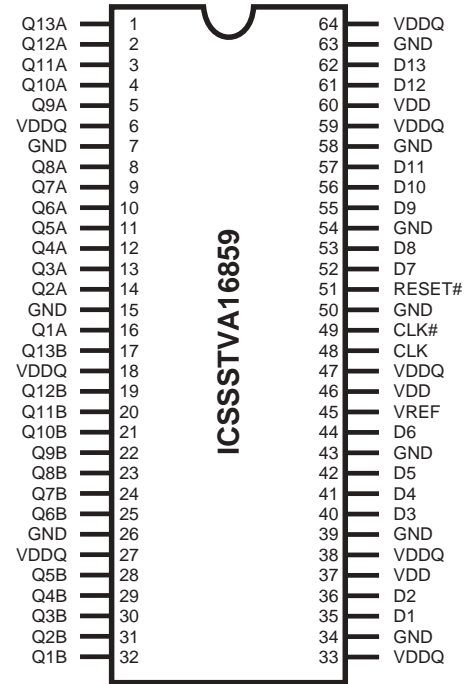
Notes:

1. H = "High" Signal Level
L = "Low" Signal Level
↑ = Transition "Low"-to-"High"
↓ = Transition "High"-to-"Low"
X = Don't Care
2. Output level before the indicated steady state input conditions were established.

Block Diagram

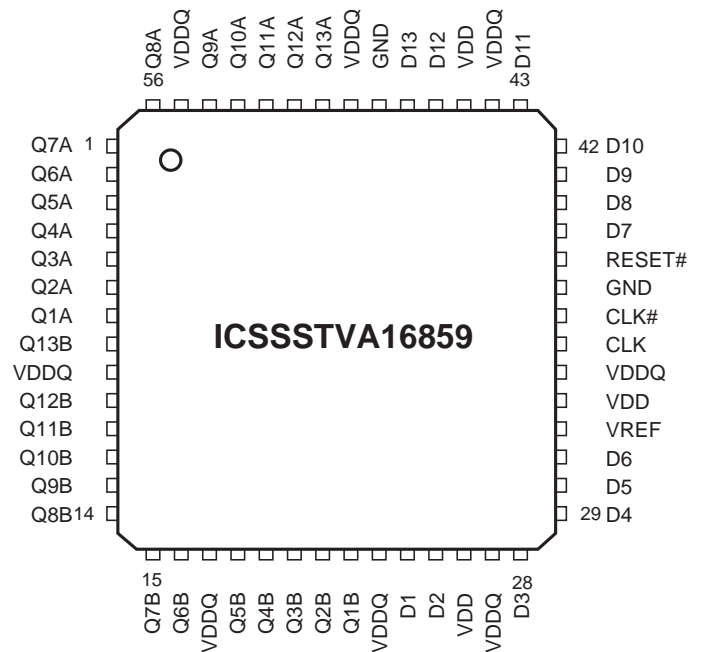


Pin Configurations



64-Pin TSSOP

6.10 mm. Body, 0.50 mm. pitch



56-Pin VFQFN (MLF2)

0882C—09/23/04



General Description

The 13-bit-to-26-bit **ICSSSTVA16859** is a universal bus driver designed for 2.3V to 2.7V V_{DD} operation and SSTL_2 I/O levels, except for the LVCMOS RESET# input.

Data flow from D to Q is controlled by the differential clock (CLK/CLK#) and a control signal (RESET#). The positive edge of CLK is used to trigger the data flow and CLK# is used to maintain sufficient noise margins where as RESET#, an LVCMOS asynchronous signal, is intended for use at the time of power-up only. **ICSSSTVA16859** supports low-power standby operation. A logic level “Low” at RESET# assures that all internal registers and outputs (Q) are reset to the logic “Low” state, and all input receivers, data (D) and clock (CLK/CLK#) are switched off. Please note that RESET# must always be supported with LVCMOS levels at a valid logic state because VREF may not be stable during power-up.

To ensure that outputs are at a defined logic state before a stable clock has been supplied, RESET# must be held at a logic “Low” level during power up.

In the DDR DIMM application, RESET# is specified to be completely asynchronous with respect to CLK and CLK#. Therefore, no timing relationship can be guaranteed between the two signals. When entering a low-power standby state, the register will be cleared and the outputs will be driven to a logic “Low” level quickly relative to the time to disable the differential input receivers. This ensures there are no glitches on the output. However, when coming out of low-power standby state, the register will become active quickly relative to the time to enable the differential input receivers. When the data inputs are at a logic level “Low” and the clock is stable during the “Low”-to-“High” transition of RESET# until the input receivers are fully enabled, the design ensures that the outputs will remain at a logic “Low” level.

Pin Configuration (64-Pin TSSOP)

| PIN NUMBER | PIN NAME | TYPE | DESCRIPTION |
|--|----------|--------|---------------------------------------|
| 1-5, 8-14, 16, 17, 19-25, 28-32 | Q (13:1) | OUTPUT | Data output |
| 7, 15, 26, 34, 39, 43, 50, 54, 58, 63 | GND | PWR | Ground |
| 6, 18, 27, 33, 38, 47, 59, 64 | VDDQ | PWR | Output supply voltage, 2.5V nominal |
| 35, 36, 40-42, 44, 52, 53, 55-57, 61, 62 | D (13:1) | INPUT | Data input |
| 48 | CLK | INPUT | Positive master clock input |
| 49 | CLK# | INPUT | Negative master clock input |
| 37, 46, 60 | VDD | PWR | Core supply voltage, 2.5V nominal |
| 51 | RESET# | INPUT | Reset (active low) |
| 45 | VREF | INPUT | Input reference voltage, 2.5V nominal |

Pin Configuration (56-Pin MLF2)

| PIN NUMBER | PIN NAME | TYPE | DESCRIPTION |
|-------------------------------|------------|--------|---------------------------------------|
| 1-8, 10-16, 18-22, 50-54, 56 | Q (13:1) | OUTPUT | Data output |
| 37, 48 | GND | PWR | Ground |
| 9, 17, 23, 27, 34, 44, 49, 55 | VDDQ | PWR | Output supply voltage, 2.5V nominal |
| 24, 25, 28-31, 39-43, 46, 47 | D (13:1) | INPUT | Data input |
| 35 | CLK | INPUT | Positive master clock input |
| 36 | CLK# | INPUT | Negative master clock input |
| 26, 33, 45 | VDD | PWR | Core supply voltage, 2.5V nominal |
| 38 | RESET# | INPUT | Reset (active low) |
| 32 | VREF | INPUT | Input reference voltage, 2.5V nominal |
| - | Center PAD | PWR | Ground (MLF2 package only) |



Absolute Maximum Ratings

| | |
|---|-------------------------------|
| Storage Temperature | -65°C to +150°C |
| Supply Voltage | -0.5 to 3.6V |
| Input Voltage ¹ | -0.5 to V _{DD} +0.5 |
| Output Voltage ^{1,2} | -0.5 to V _{DDQ} +0.5 |
| Input Clamp Current | ±50 mA |
| Output Clamp Current | ±50 mA |
| Continuous Output Current | ±50 mA |
| V _{DD} , V _{DDQ} or GND Current/Pin | ±100 mA |
| Package Thermal Impedance ³ | 55°C/W |

Notes:

1. The input and output negative voltage ratings may be excluded if the input and output clamp ratings are observed.
2. This current will flow only when the output is in the high state level V_O > V_{DDQ}.
3. The package thermal impedance is calculated in accordance with JESD 51.

Stresses above those listed under *Absolute Maximum Ratings* may cause permanent damage to the device. These ratings are stress specifications only and functional operation of the device at these or any other conditions above those listed in the operational sections of the specifications is not implied. Exposure to absolute maximum rating conditions for extended periods may affect product reliability.

Recommended Operating Conditions - DDR/DDR333 (PC1600, PC2100, PC2700)

| PARAMETER | DESCRIPTION | MIN | TYP | MAX | UNITS |
|---------------------|--|-----------------------------|------------------|-----------------------------|-------|
| V _{DD} | Supply Voltage | 2.3 | 2.5 | 2.7 | V |
| V _{DDQ} | I/O Supply Voltage | 2.3 | 2.5 | 2.7 | |
| V _{REF} | Reference Voltage | 1.15 | 1.25 | 1.35 | |
| V _{TT} | Termination Voltage | V _{REF} - 0.04 | V _{REF} | V _{REF} + 0.04 | |
| V _I | Input Voltage | 0 | | V _{DDQ} | |
| V _{IH(DC)} | DC Input High Voltage | V _{REF} + 0.15 | | | |
| V _{IH(AC)} | AC Input High Voltage | V _{REF} + 0.31 | | | |
| V _{IL(DC)} | DC Input Low Voltage | | | V _{REF} - 0.15 | |
| V _{IL(AC)} | AC Input Low Voltage | | | V _{REF} - 0.31 | |
| V _{IH} | Input High Voltage Level | 1.7 | | | |
| V _{IL} | Input Low Voltage Level | | | 0.7 | |
| V _{ICR} | Common mode Input Range | 0.97 | | 1.53 | |
| V _{ID} | Differential Input Voltage | 0.36 | | | |
| V _{IX} | Cross Point Voltage of Differential Clock Pair | (V _{DDQ} /2) - 0.2 | | (V _{DDQ} /2) + 0.2 | |
| I _{OH} | High-Level Output Current | | | -16 | mA |
| I _{OL} | Low-Level Output Current | | | 16 | |
| T _A | Operating Free-Air Temperature | 0 | | 70 | °C |

¹Guaranteed by design, not 100% tested in production.



Recommended Operating Conditions - DDRI-400 (PC3200)

| PARAMETER | DESCRIPTION | | MIN | TYP | MAX | UNITS |
|--------------|--|-------------|---------------------|-----------|---------------------|-------|
| V_{DD} | Supply Voltage | | 2.5 | 2.6 | 2.7 | V |
| V_{DDQ} | I/O Supply Voltage | | 2.5 | 2.6 | 2.7 | |
| V_{REF} | Reference Voltage | | 1.25 | 1.3 | 1.35 | |
| V_{TT} | Termination Voltage | | $V_{REF} - 0.04$ | V_{REF} | $V_{REF} + 0.04$ | |
| V_I | Input Voltage | | 0 | | V_{DDQ} | |
| $V_{IH(DC)}$ | DC Input High Voltage | Data Inputs | $V_{REF} + 0.15$ | | | |
| $V_{IH(AC)}$ | AC Input High Voltage | | $V_{REF} + 0.31$ | | | |
| $V_{IL(DC)}$ | DC Input Low Voltage | | | | $V_{REF} - 0.15$ | |
| $V_{IL(AC)}$ | AC Input Low Voltage | | | | $V_{REF} - 0.31$ | |
| V_{IH} | Input High Voltage Level | RESET# | 1.7 | | | |
| V_{IL} | Input Low Voltage Level | | | | 0.7 | |
| V_{ICR} | Common mode Input Range | CLK, CLK# | 0.97 | | 1.53 | |
| V_{ID} | Differential Input Voltage | | 0.36 | | | |
| V_{IX} | Cross Point Voltage of Differential Clock Pair | | $(V_{DDQ}/2) - 0.2$ | | $(V_{DDQ}/2) + 0.2$ | |
| I_{OH} | High-Level Output Current | | | | -16 | |
| I_{OL} | Low-Level Output Current | | | | 16 | |
| T_A | Operating Free-Air Temperature | | 0 | | 70 | °C |

¹Guaranteed by design, not 100% tested in production.



DC Electrical Characteristics - DDRI/DDR333 (PC1600, PC2100, PC2700)

T_A = 0 - 70°C; V_{DD} = 2.5 +/-0.2V, V_{DDQ}=2.5 +/-0.2V; (unless otherwise stated)

| SYMBOL | PARAMETERS | CONDITIONS | V _{DDQ} | MIN | TYP | MAX | UNITS |
|------------------|--|--|------------------|------------------------|------|------|-------------|
| V _{IK} | | I _I = -18mA | 2.3V | | | -1.2 | V |
| V _{OH} | | I _{OH} = -100µA | 2.3V-2.7V | V _{DDQ} - 0.2 | | | |
| | | I _{OH} = -8mA | 2.3V | 1.95 | | | |
| V _{OL} | | I _{OL} = 100µA | 2.3V-2.7V | | | 0.2 | |
| | | I _{OL} = 8mA | 2.3V | | | 0.35 | |
| I _I | All Inputs | V _I = V _{DD} or GND | 2.7V | | | ±5 | µA |
| I _{DD} | Standby (Static) | RESET# = GND | 2.7V | | | 0.01 | µA |
| | Operating (Static) | V _I = V _{IH(AC)} or V _{IL(AC)} , RESET# = V _{DD} | | | TBD | | |
| I _{DDD} | Dynamic operating (clock only) | RESET# = V _{DD} , V _I = V _{IH(AC)} or V _{IL(AC)} , CLK and CLK# switching 50% duty cycle. | 2.7V | | | TBD | µ/clock MHz |
| | Dynamic Operating (per each data input) | RESET# = V _{DD} , V _I = V _{IH(AC)} or V _{IL(AC)} , CLK and CLK# switching 50% duty cycle. One data input switching at half clock frequency, 50% duty cycle | | I _O = 0 | | | TBD |
| r _{OH} | Output High | I _{OH} = -16mA | 2.3V-2.7V | 7 | 13.5 | 20 | Ω |
| r _{OL} | Output Low | I _{OL} = 16mA | 2.3V-2.7V | 7 | 13 | 20 | Ω |
| r _{OD} | [r _{OH} - r _{OL}] each separate bit | I _O = 20mA, T _A = 25° C | 2.5V | | | 4 | Ω |
| C _i | Data Inputs | V _I = V _{REF} ±350mV | 2.5V | 2.5 | | 3.5 | pF |
| | CLK and CLK# | V _{ICR} = 1.25V, V _{I(PP)} = 360mV | | 2.5 | | 3.5 | |

Notes:

1 - Guaranteed by design, not 100% tested in production.



DC Electrical Characteristics - DDRI-400 (PC3200)

$T_A = 0 - 70^\circ\text{C}$; $V_{DD} = 2.5 \pm 0.2\text{V}$, $V_{DDQ} = 2.5 \pm 0.2\text{V}$; (unless otherwise stated)

| SYMBOL | PARAMETERS | CONDITIONS | V_{DDQ} | MIN | TYP | MAX | UNITS |
|------------|---|--|-----------|-----------------|------|---------|------------------------|
| V_{IK} | | $I_I = -18\text{mA}$ | 2.5V | | | -1.2 | V |
| V_{OH} | | $I_{OH} = -100\mu\text{A}$ | 2.5V-2.7V | $V_{DDQ} - 0.2$ | | | |
| | | $I_{OH} = -8\text{mA}$ | 2.7V | 1.95 | | | |
| V_{OL} | | $I_{OL} = 100\mu\text{A}$ | 2.5V-2.7V | | | 0.2 | |
| | | $I_{OL} = 8\text{mA}$ | 2.5V | | | 0.35 | |
| I_I | All Inputs | $V_I = V_{DD}$ or GND | 2.7V | | | ± 5 | μA |
| I_{DD} | Standby (Static) | RESET# = GND | 2.7V | | | 0.01 | μA |
| | Operating (Static) | $V_I = V_{IH(AC)}$ or $V_{IL(AC)}$, RESET# = V_{DD} | | | TBD | | |
| I_{DDD} | Dynamic operating (clock only) | RESET# = V_{DD} , $V_I = V_{IH(AC)}$ or $V_{IL(AC)}$, CLK and CLK# switching 50% duty cycle. | 2.7V | | TBD | | $\mu/\text{clock MHz}$ |
| | Dynamic Operating (per each data input) | RESET# = V_{DD} , $V_I = V_{IH(AC)}$ or $V_{IL(AC)}$, CLK and CLK# switching 50% duty cycle. One data input switching at half clock frequency, 50% duty cycle | | $I_O = 0$ | | TBD | |
| r_{OH} | Output High | $I_{OH} = -16\text{mA}$ | 2.5V-2.7V | 7 | 13.5 | 20 | Ω |
| r_{OL} | Output Low | $I_{OL} = 16\text{mA}$ | 2.5V-2.7V | 7 | 13 | 20 | Ω |
| $r_{O(D)}$ | [$r_{OH} - r_{OL}$] each separate bit | $I_O = 20\text{mA}$, $T_A = 25^\circ\text{C}$ | 2.6V | | | 4 | Ω |
| C_i | Data Inputs | $V_I = V_{REF} \pm 350\text{mV}$ | 2.6V | 2.5 | | 3.5 | pF |
| | CLK and CLK# | $V_{ICR} = 1.25\text{V}$, $V_{I(PP)} = 360\text{mV}$ | | 2.5 | | 3.5 | |

Notes:

1 - Guaranteed by design, not 100% tested in production.



Timing Requirements¹

(over recommended operating free-air temperature range, unless otherwise noted)

| SYMBOL | PARAMETERS | | V _{DDQ} = 2.5V ± 0.2V | | UNITS |
|--------------------|---|-------------------------|--------------------------------|-----|-------|
| | | | MIN | MAX | |
| f _{clock} | Clock frequency | | | 270 | MHz |
| t _{SL} | Output slew rate | | 1 | 4 | V/ns |
| t _s | Setup time, fast slew rate ^{2 & 4} | Data before CLK↑, CLK#↓ | 0.4 | | ns |
| | Setup time, slow slew rate ^{3 & 4} | | 0.6 | | ns |
| T _h | Hold time, fast slew rate ^{2 & 4} | Data after CLK↑, CLK#↓ | 0.4 | | ns |
| | Hold time, slow slew rate ^{3 & 4} | | 0.5 | | ns |

- Notes:**
- 1 - Guaranteed by design, not 100% tested in production.
 - 2 - For data signal input slew rate of ≥ 1V/ns.
 - 3 - For data signal input slew rate of ≥ 0.5V/ns and < 1V/ns.
 - 4 - CLK, CLK# signals input slew rate of ≥ 1V/ns.

Switching Characteristics - DDR/DDR333 (PC1600, PC2100, PC2700)

(over recommended operating free-air temperature range, unless otherwise noted) (see Figure 1)

| SYMBOL | From (Input) | To (Output) | V _{DD} = 2.5V ± 0.2V | | | UNITS |
|------------------|-------------------------|-------------|-------------------------------|-----|-----|-------|
| | | | MIN | TYP | MAX | |
| f _{max} | | | 210 | | | MHz |
| t _{PD} | CLK, CLK# (TSSOP) | Q | 1.6 | 2.1 | 2.6 | ns |
| | CLK, CLK# (VFQFN[MLF2]) | Q | 1.6 | 2.1 | 2.6 | ns |
| t _{phl} | RESET# | Q | | | 3.5 | ns |

Switching Characteristics - DDRI-400 (PC3200)

(over recommended operating free-air temperature range, unless otherwise noted) (see Figure 1)

| SYMBOL | From (Input) | To (Output) | V _{DD} = 2.6V ± 0.1V | | | UNITS |
|-------------------|-------------------|-------------|-------------------------------|-----|------|-------|
| | | | MIN | TYP | MAX | |
| f _{max} | | | 210 | | | MHz |
| t _{PD} | (VFQFN[MLF2]) | Q | 1.1 | | 1.65 | ns |
| t _{PDSS} | | Q | | | 1.9 | ns |
| t _{PD} | CLK, CLK# (TSSOP) | Q | 1.1 | 1.6 | 1.85 | ns |
| t _{phl} | RESET# | Q | | | 3.5 | ns |

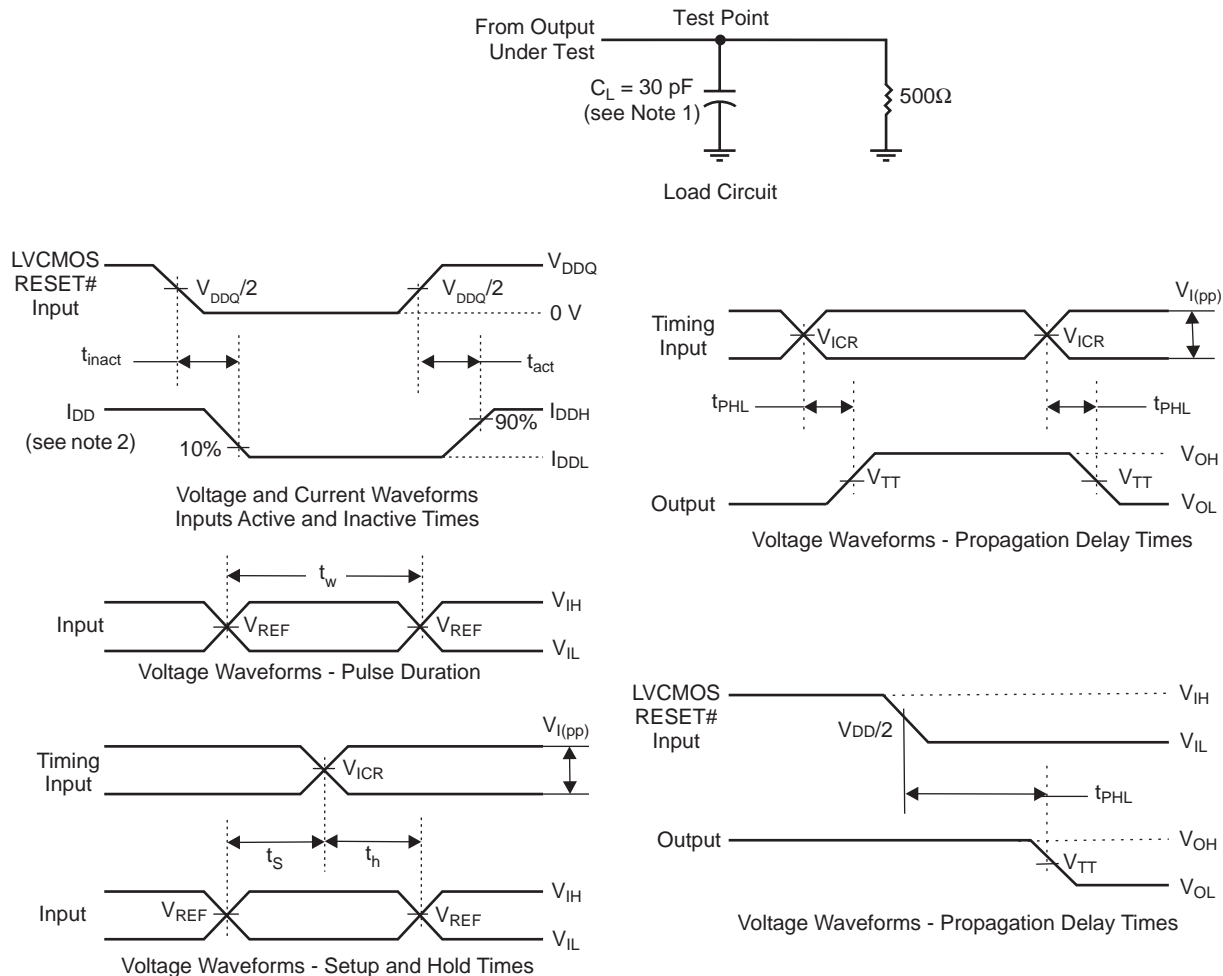
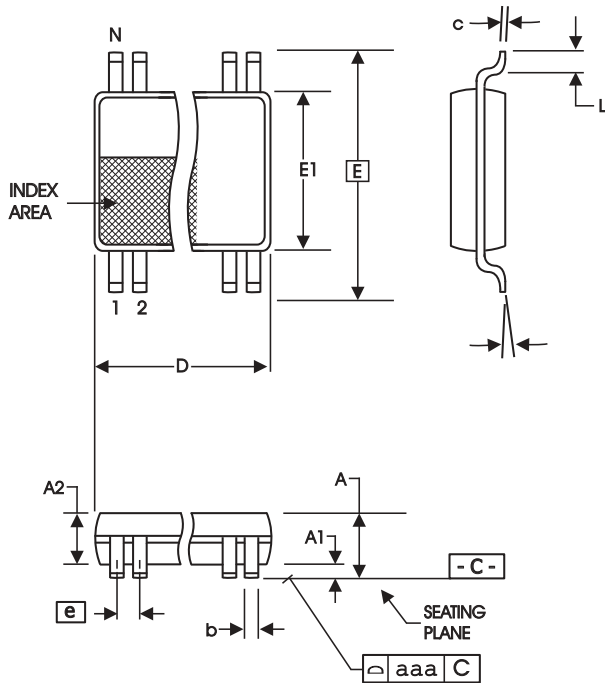


Figure 1 - Parameter Measurement Information ($V_{DDQ} = 2.5V \pm 0.2V$)

- Notes:
1. C_L includes probe and jig capacitance.
 2. I_{DD} tested with clock and data inputs held at V_{DDQ} or GND, and $I_O = 0$ mA.
 3. All input pulses are supplied by generators having the following characteristics: PRR @ 10 MHz, $Z_o=50\Omega$, input slew rate = 1 V/ns $\pm 20\%$ (unless otherwise specified).
 4. The outputs are measured one at a time with one transition per measurement.
 5. $V_{TT} = V_{REF} = V_{DDQ}/2$
 6. $V_{IH} = V_{REF} + 310$ mV (AC voltage levels) for differential inputs. $V_{IH} = V_{DDQ}$ for LVC MOS input.
 7. $V_{IL} = V_{REF} - 310$ mV (AC voltage levels) for differential inputs. $V_{IL} =$ GND for LVC MOS input.
 8. t_{PLH} and t_{PHL} are the same as t_{pd}



6.10 mm. Body, 0.50 mm. pitch TSSOP
(240 mil) (0.020 mil)

| SYMBOL | In Millimeters | | In Inches | |
|----------|-------------------|-------------------|-------------------|-------------------|
| | COMMON DIMENSIONS | COMMON DIMENSIONS | COMMON DIMENSIONS | COMMON DIMENSIONS |
| A | -- | 1.20 | -- | .047 |
| A1 | 0.05 | 0.15 | .002 | .006 |
| A2 | 0.80 | 1.05 | .032 | .041 |
| b | 0.17 | 0.27 | .007 | .011 |
| c | 0.09 | 0.20 | .0035 | .008 |
| D | SEE VARIATIONS | | SEE VARIATIONS | |
| E | 8.10 BASIC | | 0.319 BASIC | |
| E1 | 6.00 | 6.20 | .236 | .244 |
| e | 0.50 BASIC | | 0.020 BASIC | |
| L | 0.45 | 0.75 | .018 | .030 |
| N | SEE VARIATIONS | | SEE VARIATIONS | |
| α | 0° | 8° | 0° | 8° |
| aaa | -- | 0.10 | -- | .004 |

VARIATIONS

| N | D mm. | | D (inch) | |
|----|-------|-------|----------|------|
| | MIN | MAX | MIN | MAX |
| 64 | 16.90 | 17.10 | .665 | .673 |

Reference Doc.: JEDEC Publication 95, MO-153

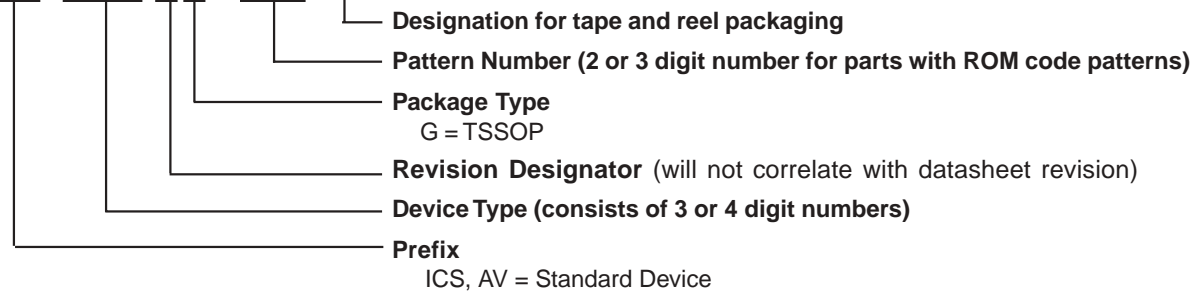
10-0039

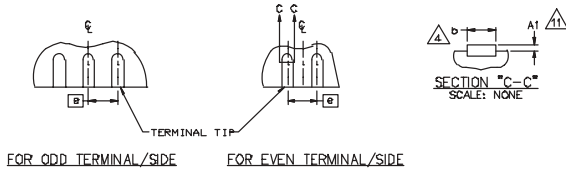
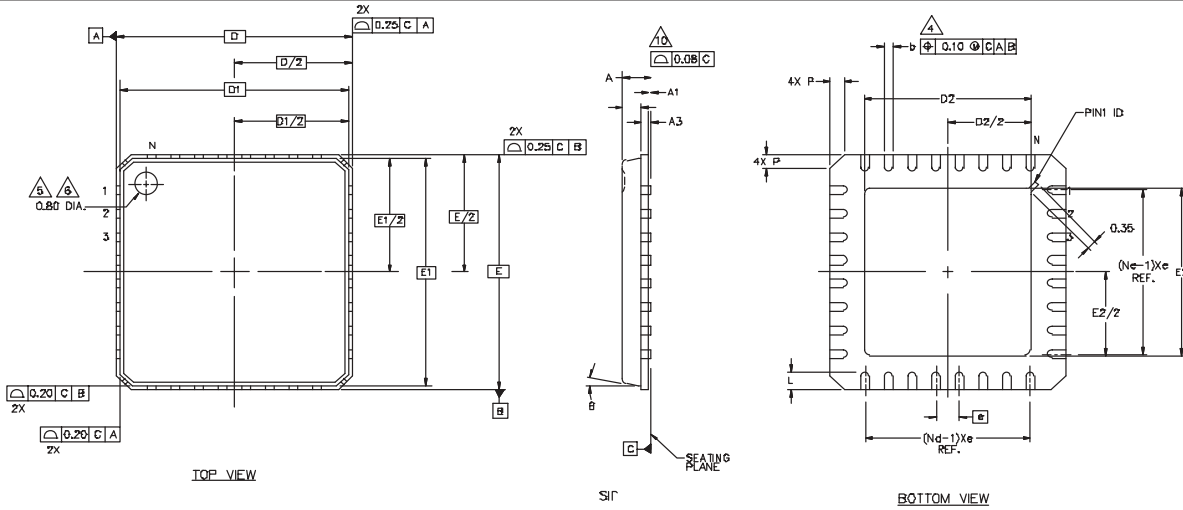
Ordering Information

ICSSSTVA16859yG-T

Example:

ICS XXXX y G - PPP - T





56 pin MLF2

| Symbol | Common Dimensions | | |
|-------------------|-------------------|------|------|
| A | - | 0.85 | 1.00 |
| A1 | 0.00 | 0.01 | 0.05 |
| A2 | - | 0.65 | 0.80 |
| A3 | 0.20 BSC | | |
| D | 8.00 BSC | | |
| D1 | 7.75 BSC | | |
| E | 8.00 BSC | | |
| E1 | 7.75 BSC | | |
| Θ | | | 12 |
| P | 0.24 | 0.42 | 0.60 |
| R | 0.13 | 0.17 | 0.23 |
| Pitch Variation D | | | |
| e | 0.50 BSC | | |
| N | 56 | | |
| Nd | 14 | | |
| Ne | 14 | | |
| L | 0.30 | 0.40 | 0.50 |
| b | 0.18 | 0.23 | 0.30 |
| Q | 0.00 | 0.20 | 0.45 |
| D2 | 4.35 | 4.50 | 4.65 |
| E2 | 5.05 | 5.20 | 5.35 |

Ordering Information

ICSSSTVA16859yK-T

Example:

ICS XXXX y K - PPP - T

